



Snap-in Terminal Type

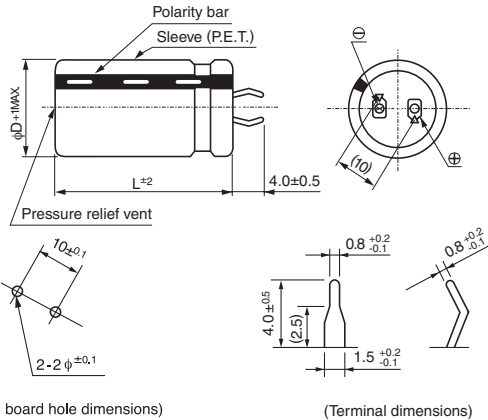
- Excellent in voltage holding property.
- Suitable for quick charge and discharge.
- Wide temperature range (−25°C to +60°C).
- Compliant to the RoHS directive (2011/65/EU,(EU)2015/863).



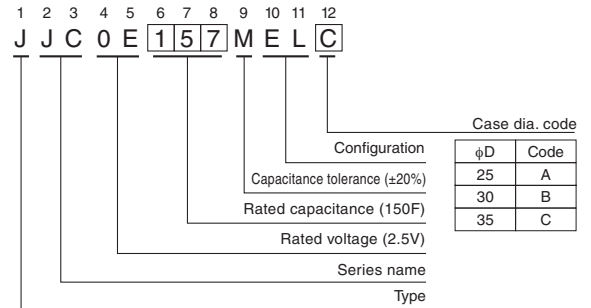
Specifications

Item	Performance Characteristics	
Category Temperature Range	−25 to +60°C	
Rated Voltage Range	2.5V	
Rated Capacitance Range	56 to 200F See Note	
Capacitance Tolerance	±20% (20°C)	
Stability at Low Temperature	Capacitance (−25°C) / Capacitance (+20°C) ×100 ≥ 70% ESR (−25°C) / ESR (+20°C) ≤ 7	
ESR, DCR*	Refer to the table below (20°C). *DC internal resistance	
Endurance	Capacitance change	Within ±30% of the initial capacitance value
	ESR	300% or less than the initial specified value
Shelf Life	Capacitance change	Within ±30% of the initial capacitance value
	ESR	300% or less than the initial specified value
Humidity Endurance	Capacitance change	Within ±30% of the initial capacitance value
	ESR	300% or less than the initial specified value
Marking	Printed with white color letter on black sleeve.	

Drawing



Type numbering system (Example : 2.5V 150F)



Dimensions

Rated Voltage (code)	Cap. (F)	Cap. code	ESR(mΩ) (at 1kHz)	DCR* Typical (mΩ)	Case size φD × L (mm)		
					φ 25 (A)	φ 30 (B)	φ 35 (C)
2.5V (0E)	56	566	70	50	25 × 40	30 × 30	
	68	686	60	45			35 × 30
	82	826	60	35	25 × 50	30 × 40	
	100	107	50	30			35 × 35
	120	127	50	25		30 × 50	35 × 40
	150	157	40	22			35 × 50
	200	207	30	16			35 × 50

Note :

The capacitance calculated from discharge time (ΔT) with constant current (i) after 30minute charge with rated voltage (2.5V).

The discharge current (i) is 0.01 × rated capacitance (F). The discharge time (ΔT) measured between 2V and 1V with constant current.

The capacitance calculated below.

$$\text{Capacitance (F)} = i \times \Delta T$$

* The listed DCR value is typical and therefore not a guaranteed value.

单击下面可查看定价，库存，交付和生命周期等信息

[>>Nichicon\(尼吉康\)](#)