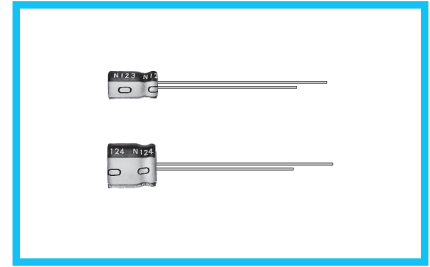


ALUMINUM ELECTROLYTIC CAPACITORS

USF

 7mmL, Low Impedance

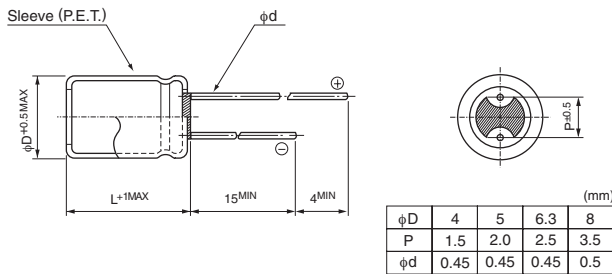

- Low impedance over wide temperature range of -55 to $+105^{\circ}\text{C}$, with 7mm height.
- Compliant to the RoHS directive (2011/65/EU,(EU)2015/863).



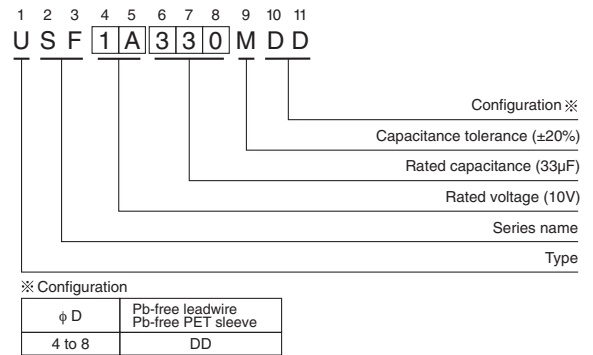
Specifications

Item	Performance Characteristics						
Category Temperature Range	-55 to $+105^{\circ}\text{C}$						
Rated Voltage Range	6.3 to 35V						
Rated Capacitance Range	6.8 to 220 μF						
Capacitance Tolerance	$\pm 20\%$ at 120Hz, 20°C						
Leakage Current	After 2 minutes' application of rated voltage at 20°C , leakage current is not more than 0.01CV or 3(μA), whichever is greater.						
Tangent of loss angle (tan δ)	Measurement frequency : 120Hz, Temperature : 20°C						
	Rated voltage (V)	6.3	10	16	25	35	
	tan δ (MAX.)	0.18	0.16	0.14	0.12	0.12	
Stability at Low Temperature	Measurement frequency : 120Hz						
	Rated voltage (V)	6.3	10	16	25	35	
	Impedance ratio (MAX.)	Z- 25°C / Z+ 20°C	2	2	2	2	
		Z- 55°C / Z+ 20°C	3	3	3	3	
Endurance	The specifications listed at right shall be met when the capacitors are restored to 20°C after the rated voltage is applied for 1000 hours at 105°C .		Capacitance change				Within $\pm 20\%$ of the initial capacitance value
			tan δ				200% or less than the initial specified value
			Leakage current				Less than or equal to the initial specified value
Shelf Life	After storing the capacitors under no load at 105°C for 1000 hours and then performing voltage treatment based on JIS C 5101-4 clause 4.1 at 20°C , they shall meet the specified values for the endurance characteristics listed above.						
Marking	Printed with white color letter on dark brown sleeve.						

Radial Lead Type



Type numbering system (Example : 10V 33 μF)



Dimensions

Cap. (μF)	Code	6.3		10			16			25			35						
		0J		1A			1C			1E			1V						
6.8	6R8																		
10	100																		
15	150																		
22	220																		
33	330	5 x 7	1.7	110	5 x 7	1.7	110	6.3 x 7	0.8	160	6.3 x 7	0.8	160	6.3 x 7	0.8	160	8 x 7	0.5	200
47	470	5 x 7	1.7	110	6.3 x 7	0.8	160	6.3 x 7	0.8	160	8 x 7	0.5	200						
68	680	6.3 x 7	0.8	160	6.3 x 7	0.8	160	8 x 7	0.5	200	8 x 7	0.5	200						
100	101	6.3 x 7	0.8	160	8 x 7	0.5	200	8 x 7	0.5	200									
150	151	8 x 7	0.5	200	8 x 7	0.5	200												
220	221	8 x 7	0.5	200															

Max. Impedance (Ω) at 20°C 100kHz
Rated ripple current (mArms) at 105°C 100kHz

Frequency coefficient of rated ripple current

Frequency	50 Hz	120 Hz	300 Hz	1 kHz	10 kHz or more
Coefficient	0.35	0.50	0.64	0.83	1.00

Please refer to page 20, 21, 22 about the formed or taped product spec.
Please refer to page 4 for the minimum order quantity.

单击下面可查看定价，库存，交付和生命周期等信息

[>>Nichicon\(尼吉康\)](#)