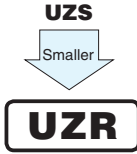


ALUMINUM ELECTROLYTIC CAPACITORS

UZR

3.95mmL MAX. Chip Type

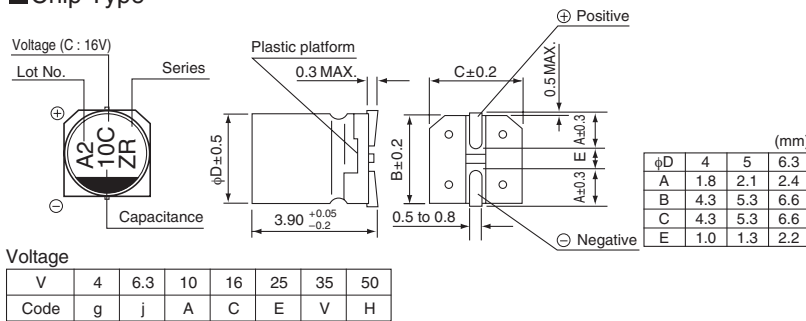


- Chip type with 3.95mmLMAX height.
- Designed for surface mounting on high density PC board.
- Applicable to automatic mounting machine fed with carrier tape.
- Compliant to the RoHS directive (2011/65/EU,(EU)2015/863).
- AEC-Q200 compliant. Please contact us for details.

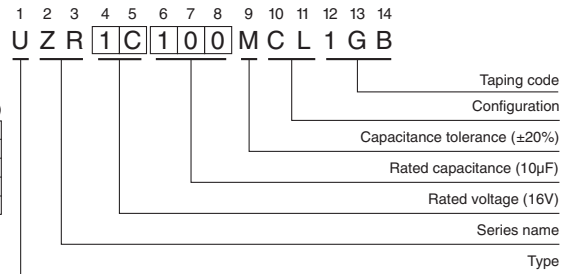
Specifications

Item	Performance Characteristics										
Category Temperature Range	-40 to +85°C										
Rated Voltage Range	4 to 50V										
Rated Capacitance Range	1 to 220μF										
Capacitance Tolerance	±20% at 120Hz, 20°C										
Leakage Current	After 2 minutes' application of rated voltage at 20°C, leakage current is not more than 0.01 CV or 3 (μA) , whichever is greater.										
Tangent of loss angle (tan δ)	Rated voltage (V)	4	6.3	10	16	25	35	50	120Hz 20°C		
	tan δ (MAX.)	0.50	0.30	0.24	0.19	0.16	0.14	0.14			
Stability at Low Temperature	Rated voltage (V)	4	6.3	10	16	25	35	50	120Hz		
	Impedance ratio ZT / Z20 (MAX.)	Z-25°C / Z+20°C	7	4	3	2	2	2	2		
		Z-40°C / Z+20°C	15	8	8	4	4	3	3		
Endurance	The specifications listed at right shall be met when the capacitors are restored to 20°C after the rated voltage is applied for 1000 hours at 85°C.										
	Capacitance change	Within ±30% of the initial capacitance value									
	tan δ	300% or less than the initial specified value									
Shelf Life	After storing the capacitors under no load at 85°C for 1000 hours and then performing voltage treatment based on JIS C 5101-4 clause 4.1 at 20°C, they shall meet the specified values for the endurance characteristics listed above.										
	Capacitance change	Within ±10% of the initial capacitance value									
	tan δ	Less than or equal to the initial specified value									
Resistance to soldering heat	The capacitors are kept on a hot plate for 30 seconds, which is maintained at 250°C. The capacitors shall meet the characteristic requirements listed at right when they are removed from the plate and restored to 20°C.										
	Capacitance change	Within ±10% of the initial capacitance value									
	Leakage current	Less than or equal to the initial specified value									
Marking	Black print on the case top.										

Chip Type



Type numbering system (Example : 16V 10μF)



Dimensions

Cap. (μF)	Code	4		6.3		10		16		25		35		50	
		0G		0J		1A		1C		1E		1V		1H	
1	010													4	8.4
2.2	2R2													4	13
3.3	3R3													4	17
4.7	4R7													5	20
10	100							4	23	4	16	4	18	5	20
22	220			4	28	5	33	5	37	6.3	42	6.3	46	6.3	33
33	330	4	28	5	37	5	41	6.3	49	6.3	52				
47	470	4	33	5	45	6.3	52	6.3	58						
100	101	5	56	6.3	70										
220	221	6.3	96												

Rated ripple current (mArms) at 85°C 120Hz

Frequency coefficient of rated ripple current

Frequency	50 Hz	120 Hz	300 Hz	1 kHz	10 kHz or more
Coefficient	0.70	1.00	1.17	1.36	1.50

- Taping specifications are given in page 23.
- Recommended land size, soldering by reflow are given in page 18,19.
- Please refer to page 3 for the minimum order quantity.

单击下面可查看定价，库存，交付和生命周期等信息

[>>Nichicon\(尼吉康\)](#)