

ON Semiconductor

Is Now

onsemi™

To learn more about onsemi™, please visit our website at
www.onsemi.com

onsemi and onsemi and other names, marks, and brands are registered and/or common law trademarks of Semiconductor Components Industries, LLC dba "onsemi" or its affiliates and/or subsidiaries in the United States and/or other countries. onsemi owns the rights to a number of patents, trademarks, copyrights, trade secrets, and other intellectual property. A listing of onsemi product/patent coverage may be accessed at www.onsemi.com/site/pdf/Patent-Marking.pdf. onsemi reserves the right to make changes at any time to any products or information herein, without notice. The information herein is provided "as-is" and onsemi makes no warranty, representation or guarantee regarding the accuracy of the information, product features, availability, functionality, or suitability of its products for any particular purpose, nor does onsemi assume any liability arising out of the application or use of any product or circuit, and specifically disclaims any and all liability, including without limitation special, consequential or incidental damages. Buyer is responsible for its products and applications using onsemi products, including compliance with all laws, regulations and safety requirements or standards, regardless of any support or applications information provided by onsemi. "Typical" parameters which may be provided in onsemi data sheets and/or specifications can and do vary in different applications and actual performance may vary over time. All operating parameters, including "Typicals" must be validated for each customer application by customer's technical experts. onsemi does not convey any license under any of its intellectual property rights nor the rights of others. onsemi products are not designed, intended, or authorized for use as a critical component in life support systems or any FDA Class 3 medical devices or medical devices with a same or similar classification in a foreign jurisdiction or any devices intended for implantation in the human body. Should Buyer purchase or use onsemi products for any such unintended or unauthorized application, Buyer shall indemnify and hold onsemi and its officers, employees, subsidiaries, affiliates, and distributors harmless against all claims, costs, damages, and expenses, and reasonable attorney fees arising out of, directly or indirectly, any claim of personal injury or death associated with such unintended or unauthorized use, even if such claim alleges that onsemi was negligent regarding the design or manufacture of the part. onsemi is an Equal Opportunity/Affirmative Action Employer. This literature is subject to all applicable copyright laws and is not for resale in any manner. Other names and brands may be claimed as the property of others.

Self-Protected Low Side Driver with In-Rush Current Management



ON Semiconductor®

www.onsemi.com

NCV8412, NCV8412D

The NCV8412 is a three terminal protected Low-Side Smart Discrete FET. The protection features include Delta Thermal Shutdown, overcurrent, overtemperature, ESD and integrated Drain-to-Gate clamping for overvoltage protection. The device also offers fault indication via the gate pin. This device is suitable for harsh automotive environments.

Features

- Short-Circuit Protection with In-Rush Current Management
- Delta Thermal Shutdown
- Thermal Shutdown with Automatic Restart
- Overvoltage Protection
- Integrated Clamp for Overvoltage Protection and Inductive Switching
- ESD Protection
- dV/dt Robustness
- Analog Drive Capability (Logic Level Input)
- NCV Prefix for Automotive and Other Applications Requiring Unique Site and Control Change Requirements; AEC-Q101 Grade 1 Qualified and PPAP Capable
- These Devices are Pb-Free and are RoHS Compliant

Typical Applications

- Switch a Variety of Resistive, Inductive and Capacitive Loads
- Can Replace Electromechanical Relays and Discrete Circuits
- Automotive/Industrial

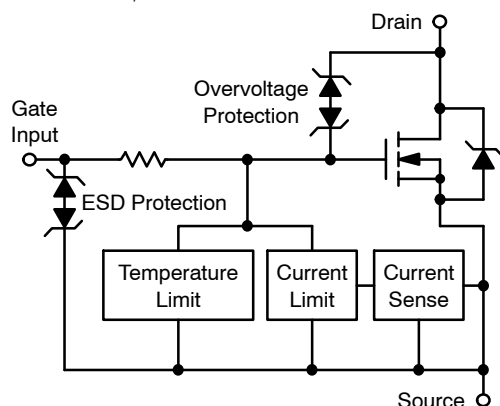
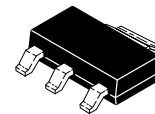


Figure 1. Block Diagram

V _{DSS} (Clamped)	R _{DS(ON)} TYP	I _D MAX (Limited)
42 V	145 mΩ @ 10 V	5.9 A

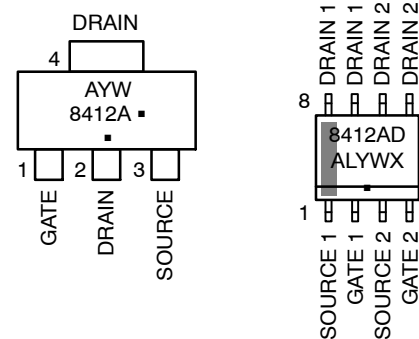


SOT-223 (TO-261)
CASE 318E



SOIC-8 NB
CASE 751

MARKING DIAGRAM



A = Assembly Location
 L = Wafer Lot
 Y = Year
 W = Work Week
 8412A or 8412AD = Specific Device Code
 ■ = Pb-Free Package
 (Note: Microdot may be in either location)

ORDERING INFORMATION

See detailed ordering and shipping information on page 13 of this data sheet.

NCV8412, NCV8412D

MAXIMUM RATINGS

Rating	Symbol	Value	Unit
Drain-to-Source Voltage Internally Clamped	V_{DSS}	42	V
Drain-to-Gate Voltage Internally Clamped	V_{DG}	42	V
Gate-to-Source Voltage	V_{GS}	± 14	V
Drain Current – Continuous	I_D	Internally Limited	
Total Power Dissipation (SOT-223) @ $T_A = 25^\circ\text{C}$ (Note 1) @ $T_A = 25^\circ\text{C}$ (Note 2)	P_D	1.28 2.19	W
Power Dissipation per Channel (SOIC-8 Dual), both channels loaded equally @ $T_A = 25^\circ\text{C}$ (Note 1) @ $T_A = 25^\circ\text{C}$ (Note 2)	P_D	0.57 0.78	W
Total Power Dissipation (SOIC-8 Dual), only one channel loaded @ $T_A = 25^\circ\text{C}$ (Note 1) @ $T_A = 25^\circ\text{C}$ (Note 2)	P_D	0.93 1.20	W
Thermal Resistance (SOT-223) Junction-to-Ambient (Note 1) Junction-to-Ambient (Note 2) Junction-to-Case (Soldering Point)	$R_{\theta JA}$ $R_{\theta JA}$ $R_{\theta JS}$	97.0 57.0 7.9	$^\circ\text{C/W}$
Thermal Resistance (SOIC-8 Dual), both channels loaded equally Junction-to-Ambient (Note 1) Junction-to-Ambient (Note 2) Junction-to-Case (Soldering Point)	$R_{\theta JA}$ $R_{\theta JA}$ $R_{\theta JS}$	107.8 79.4 29.0	$^\circ\text{C/W}$
Thermal Resistance (SOIC-8 Dual), only one channel loaded Junction-to-Ambient (Note 1) Junction-to-Ambient (Note 2) Junction-to-Case (Soldering Point)	$R_{\theta JA}$ $R_{\theta JA}$ $R_{\theta JS}$	133.6 103.8 29.1	$^\circ\text{C/W}$
Single Pulse Inductive Load Switching Energy ($L = 50\text{ mH}$, $I_{Lpeak} = 2\text{ A}$, $V_{GS} = 5\text{ V}$, $R_G = 25\ \Omega$, $T_{Jstart} = 25^\circ\text{C}$)	E_{AS}	100	mJ
Load Dump Voltage ($V_{GS} = 0$ and 10 V , $R_L = 22\ \Omega$) (Note 3)	U_S^*	55	V
Operating Junction Temperature	T_J	-40 to 150	$^\circ\text{C}$
Storage Temperature	$T_{storage}$	-55 to 150	$^\circ\text{C}$

Stresses exceeding those listed in the Maximum Ratings table may damage the device. If any of these limits are exceeded, device functionality should not be assumed, damage may occur and reliability may be affected.

- Mounted onto a 80 x 80 x 1.6 mm single layer FR4 board (100 sq mm, 1 oz. Cu, steady state)
- Mounted onto a 80 x 80 x 1.6 mm single layer FR4 board (645 sq mm, 1 oz. Cu, steady state)
- Load Dump Test B (with centralized load dump suppression) according to ISO16750-2 standard. Guaranteed by design. Not tested in production. Passed Class C according to ISO16750-1.

ESD ELECTRICAL CHARACTERISTICS (Notes 4, 5)

Parameter	Test Condition	Symbol	Min	Typ	Max	Unit
Electro-Static Discharge Capability	Human Body Model (HBM)	ESD	4000			V
	Charged Device Model (CDM)		1000			

- Not tested in production.
- This device series incorporates ESD protection and is tested by the following methods:
ESD Human Body Model tested per AEC-Q100-002 (JS-001-2017)
Field Induced Charge Device Model ESD characterization is not performed on plastic molded packages with body sizes smaller than 2 x 2 mm due to the inability of a small package body to acquire and retain enough charge to meet the minimum CDM discharge current waveform characteristic defined in JEDEC JS-002-2018.

NCV8412, NCV8412D

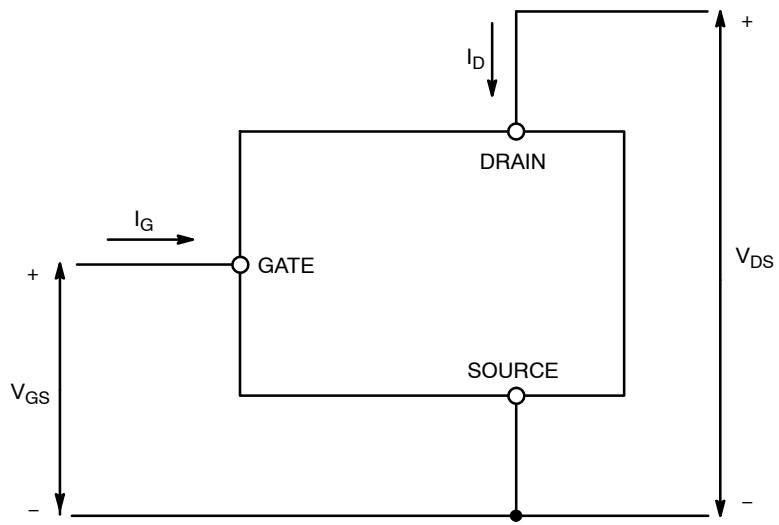


Figure 2. Voltage and Current Convention

NCV8412, NCV8412D

ELECTRICAL CHARACTERISTICS (T_J = 25°C unless otherwise noted)

Parameter	Test Condition	Symbol	Min	Typ	Max	Unit
OFF CHARACTERISTICS						
Drain-to-Source Clamped Breakdown Voltage	V _{GS} = 0 V, I _D = 10 mA	V _{(BR)DSS}	42	44	49	V
	V _{GS} = 0 V, I _D = 10 mA, T _J = 150°C (Note 6)		39	42	49	
Zero Gate Voltage Drain Current	V _{GS} = 0 V, V _{DS} = 32 V	I _{DSS}		0.7	4.0	μA
	V _{GS} = 0 V, V _{DS} = 32 V, T _J = 150°C (Note 6)			2.3	20	
Gate Input Current	V _{GS} = 5 V, V _{DS} = 0 V	I _{GSS}		52	72	μA

ON CHARACTERISTICS

Gate Threshold Voltage	V _{GS} = V _{DS} , I _D = 150 μA	V _{GS(th)}	1.0	1.6	2.2	V
Gate Threshold Temperature Coefficient	V _{GS} = V _{DS} , I _D = 150 μA (Note 6)	V _{GS(th)} /T _J		3.1		mV/°C
Static Drain-to-Source On Resistance	V _{GS} = 10 V, I _D = 1.7 A	R _{DS(ON)}		145	200	mΩ
	V _{GS} = 10 V, I _D = 1.7 A, T _J = 150°C (Note 6)			255	400	
	V _{GS} = 5.0 V, I _D = 1.7 A			180	230	
	V _{GS} = 5.0 V, I _D = 1.7 A, T _J = 150°C (Note 6)			310	460	
	V _{GS} = 5.0 V, I _D = 0.5 A			180	230	
	V _{GS} = 5.0 V, I _D = 0.5 A, T _J = 150°C (Note 6)			305	460	
Source-to-Drain Forward On Voltage	I _S = 7 A, V _{GS} = 0 V	V _{SD}		0.95	1.2	V

SWITCHING CHARACTERISTICS (Note 6)

Turn-On Time (10% V _{GS} to 90% I _D)	V _{GS} = 0 V to 10 V, V _{DD} = 12 V, I _D = 1 A	t _{ON}		20	31	μs
Turn-On Rise Time (10% I _D to 90% I _D)		t _{rise}		14	25	μs
Turn-Off Time (90% V _{GS} to 10% I _D)		t _{OFF}		96	140	μs
Turn-Off Fall Time (90% I _D to 10% I _D)		t _{fall}		37	50	μs
Slew Rate On (80% V _{DS} to 50% V _{DS})		-dV _{DS} /dt _{ON}	0.45	1.0		V/μs
Slew Rate Off (50% V _{DS} to 80% V _{DS})		dV _{DS} /dt _{OFF}	0.3	0.4		V/μs

SELF PROTECTION CHARACTERISTICS

Current Limit	V _{DS} = 10 V, V _{GS} = 5.0 V	I _{LIM}	3.3	4.4	5.6	A
	V _{DS} = 10 V, V _{GS} = 5.0 V, T _J = 150°C (Note 6)		3.3	4.0	4.9	
	V _{DS} = 10 V, V _{GS} = 10 V (Note 6)		2.6	3.9	5.9	
	V _{DS} = 10 V, V _{GS} = 10 V, T _J = 150°C (Note 6)		2.3	3.5	5.0	
Temperature Limit (Turn-Off)	V _{GS} = 5.0 V (Note 6)	T _{LIM(OFF)}	150	175	190	°C
Thermal Hysteresis		ΔT _{LIM(ON)}		15		
Temperature Limit (Turn-Off)	V _{GS} = 10 V (Note 6)	T _{LIM(OFF)}	150	185	200	
Thermal Hysteresis		ΔT _{LIM(ON)}		15		

GATE INPUT CHARACTERISTICS (Note 6)

Device ON Gate Input Current	V _{GS} = 5 V, V _{DS} = 10 V, I _D = 1 A	I _{GON}	25	52	72	μA
	V _{GS} = 10 V, V _{DS} = 10 V, I _D = 1 A		250	333	480	
Current Limit Gate Input Current	V _{GS} = 5 V, V _{DS} = 10 V	I _{GCL}	35	65	96	
	V _{GS} = 10 V, V _{DS} = 10 V		200	390	540	
Thermal Limit Gate Input Current	V _{GS} = 5 V, V _{DS} = 10 V, I _D = 0 A	I _{GTL}	550	630	750	
	V _{GS} = 10 V, V _{DS} = 10 V, I _D = 0 A		1350	1500	1650	

Product parametric performance is indicated in the Electrical Characteristics for the listed test conditions, unless otherwise noted. Product performance may not be indicated by the Electrical Characteristics if operated under different conditions.

6. Not tested in production.

TYPICAL PERFORMANCE CURVES

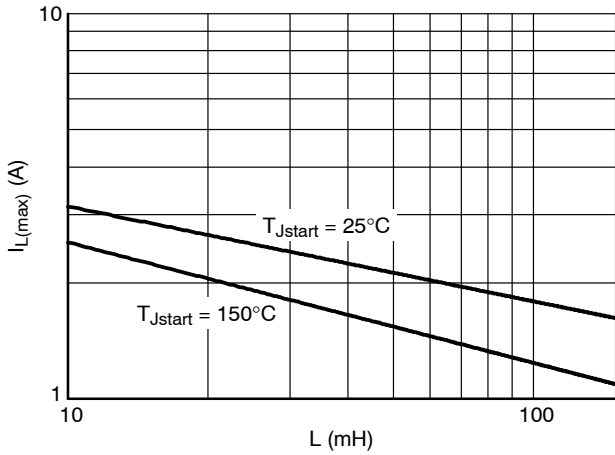


Figure 3. Single Pulse Maximum Switch-off Current vs. Load Inductance

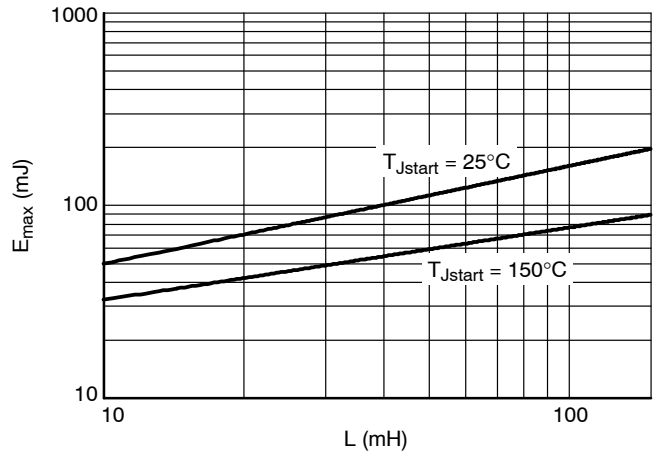


Figure 4. Single Pulse Maximum Switching Energy vs. Load Inductance

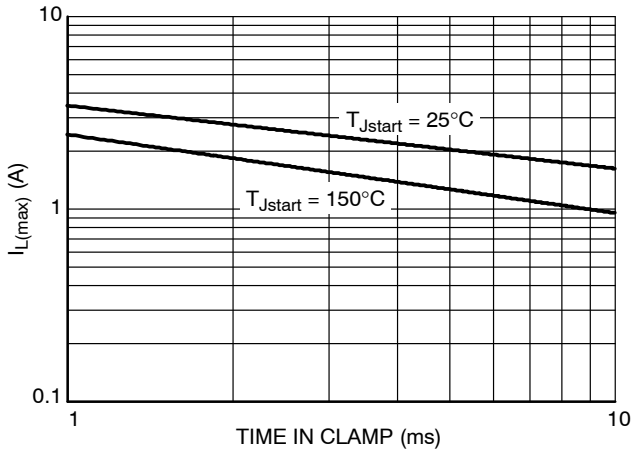


Figure 5. Single Pulse Maximum Inductive Switch-off Current vs. Time in Clamp

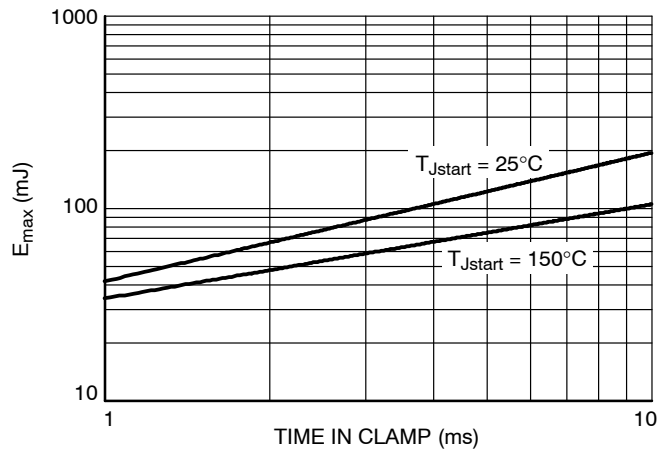


Figure 6. Single Pulse Maximum Inductive Switching Energy vs. Time in Clamp

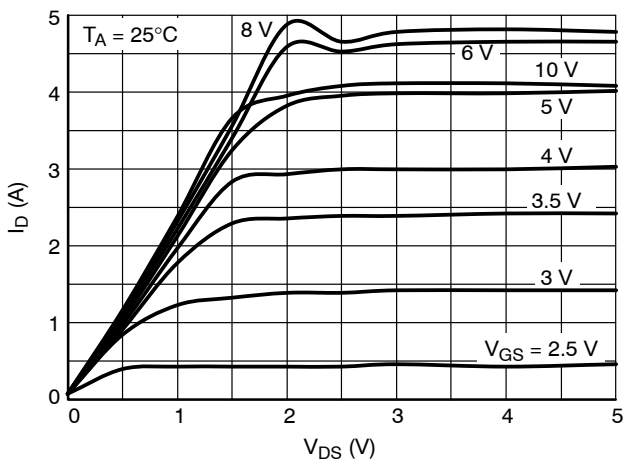


Figure 7. On-state Output Characteristics

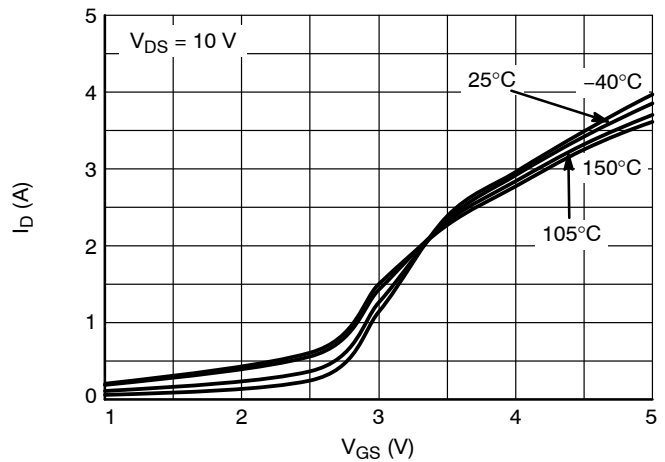


Figure 8. Transfer Characteristics

TYPICAL PERFORMANCE CURVES

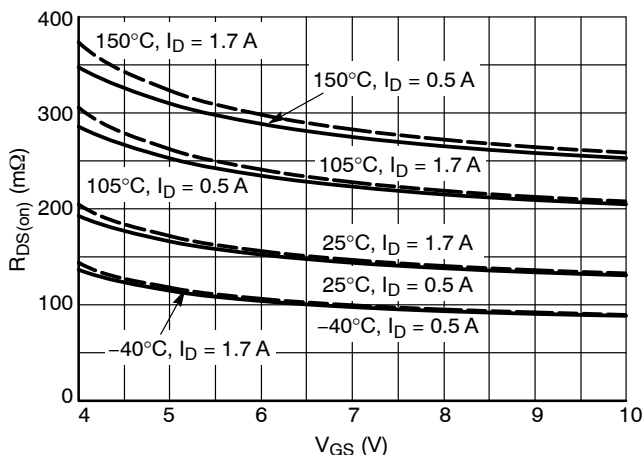


Figure 9. $R_{DS(on)}$ vs. Gate-Source Voltage

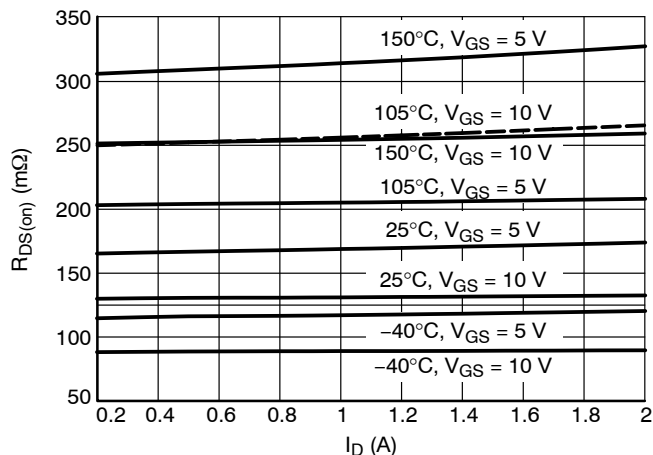


Figure 10. $R_{DS(on)}$ vs. Drain Current

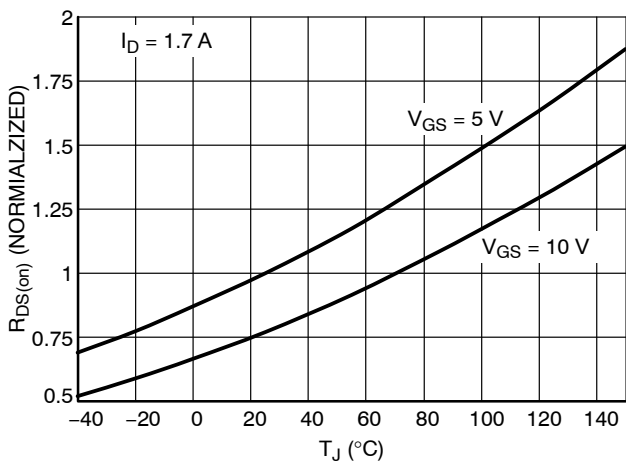


Figure 11. Normalized $R_{DS(on)}$ vs. Temperature

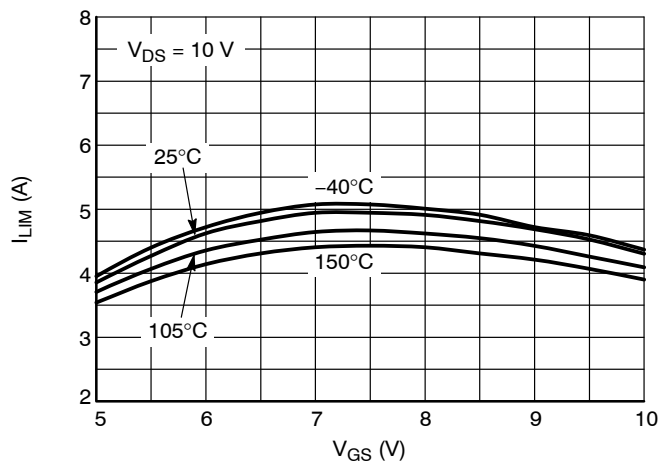


Figure 12. Current Limit vs. Gate-Source Voltage

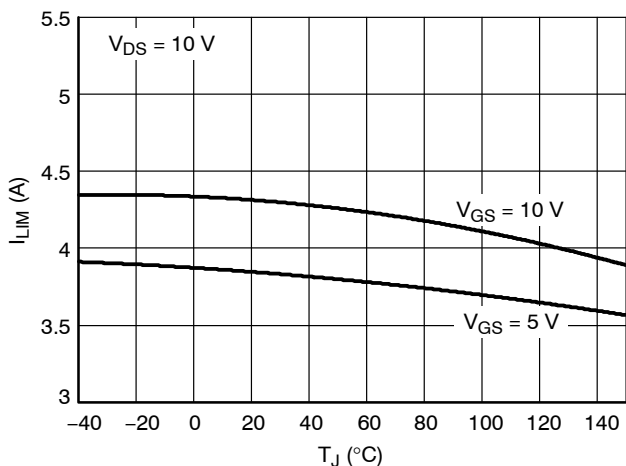


Figure 13. Current Limit vs. Junction Temperature

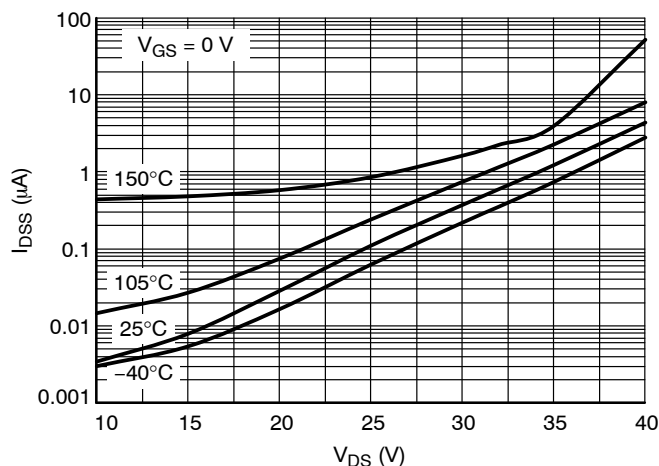


Figure 14. Drain-to-Source Leakage Current

TYPICAL PERFORMANCE CURVES

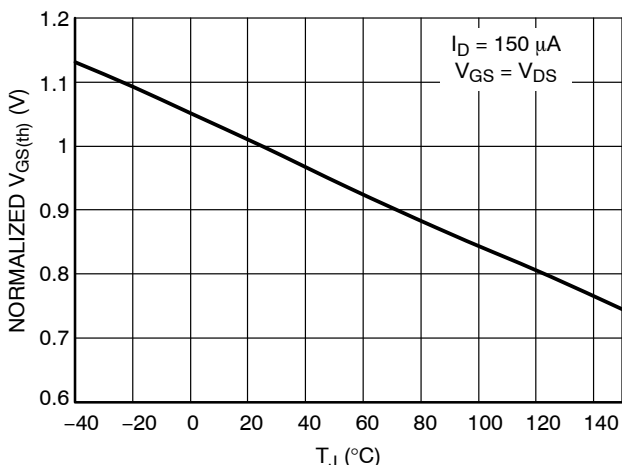


Figure 15. Normalized Threshold Voltage vs. Temperature

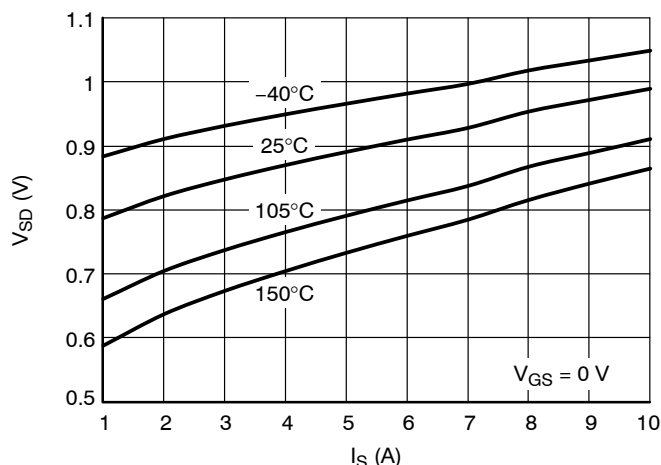


Figure 16. Source-Drain Diode Forward Characteristics

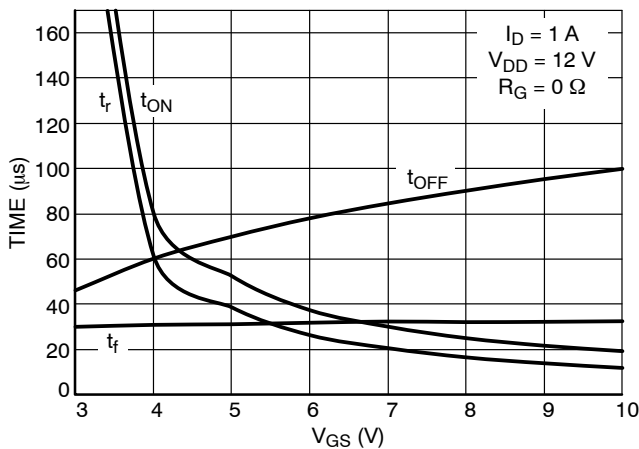


Figure 17. Resistive Load Switching Time vs. Gate-Source Voltage

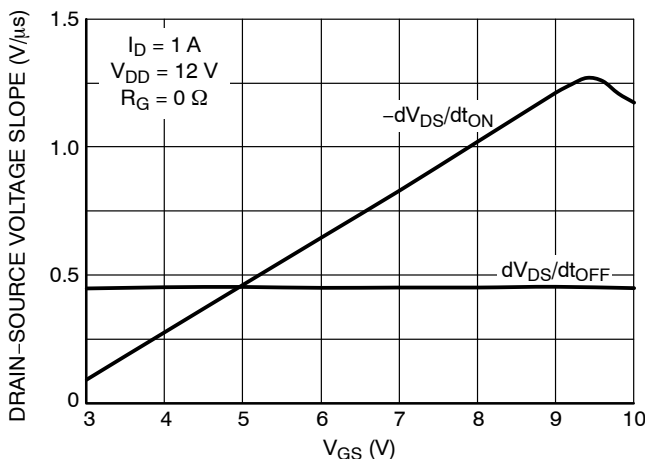


Figure 18. Resistive Load Switching Drain-Source Voltage Slope vs. Gate-Source Voltage

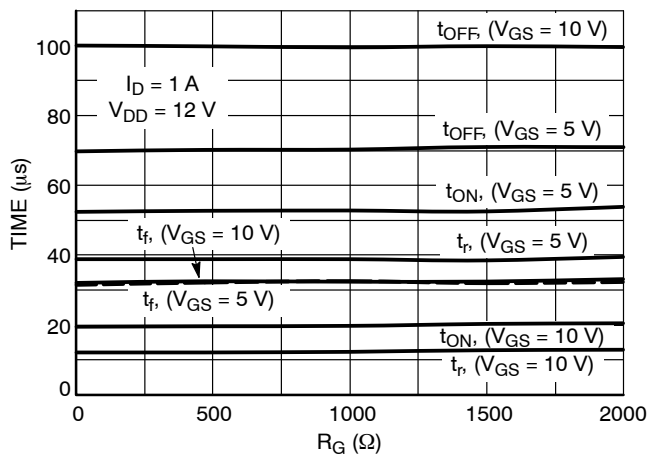


Figure 19. Resistive Load Switching Time vs. Gate Resistance

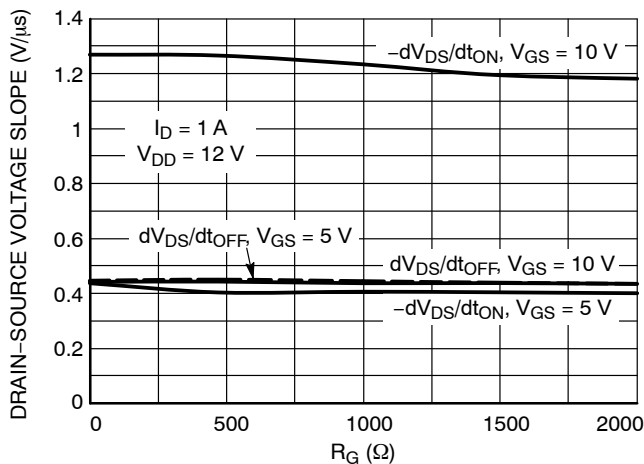


Figure 20. Drain-Source Voltage Slope during Turn On and Turn Off vs. Gate Resistance

TYPICAL PERFORMANCE CURVES

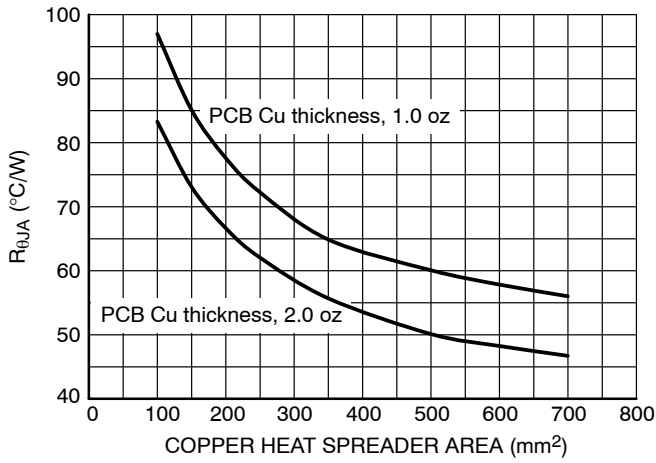


Figure 21. $R_{\theta JA}$ vs. Copper Area – SOT-223

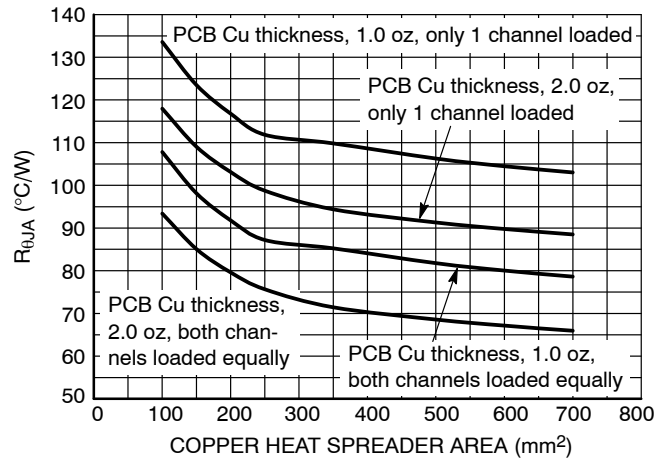


Figure 22. $R_{\theta JA}$ vs. Copper Area – SOIC-8 Dual

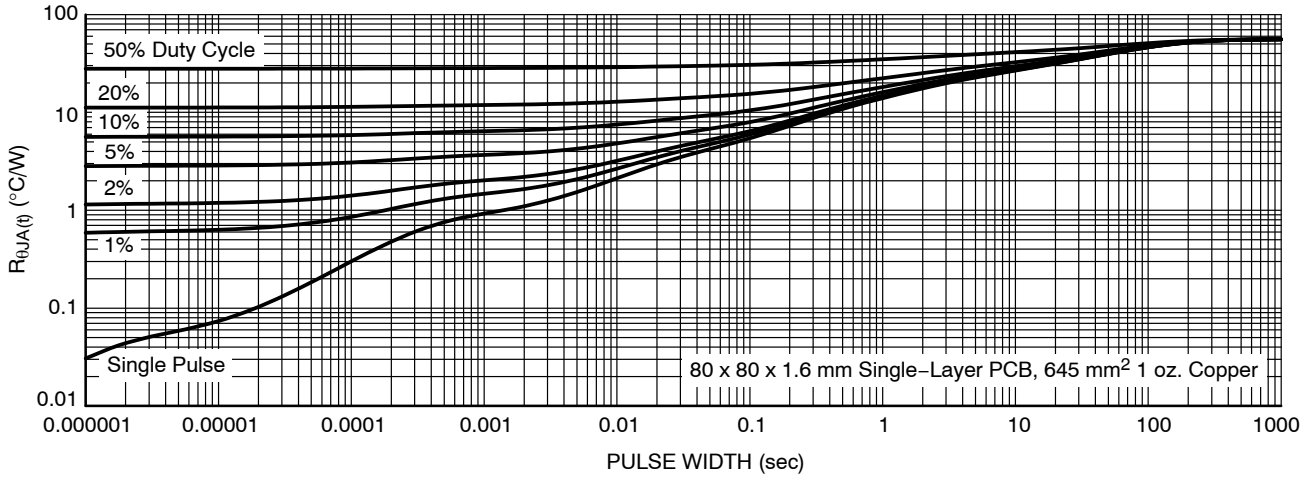


Figure 23. Transient Thermal Resistance – SOT-223

NCV8412, NCV8412D

TYPICAL PERFORMANCE CURVES

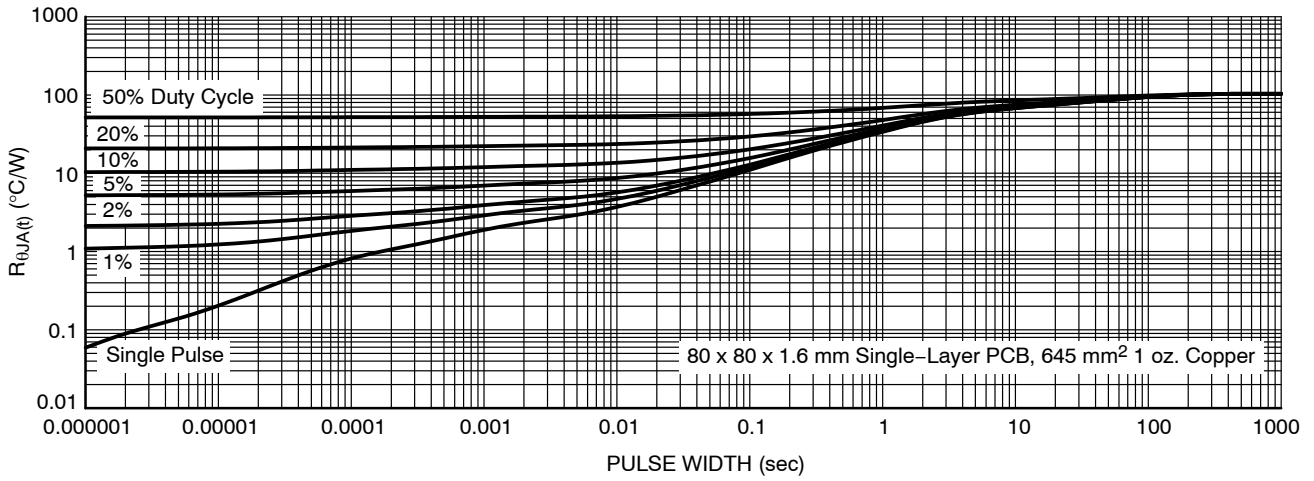


Figure 24. Transient Thermal Resistance – SOIC-8 Dual, only 1 channel loaded

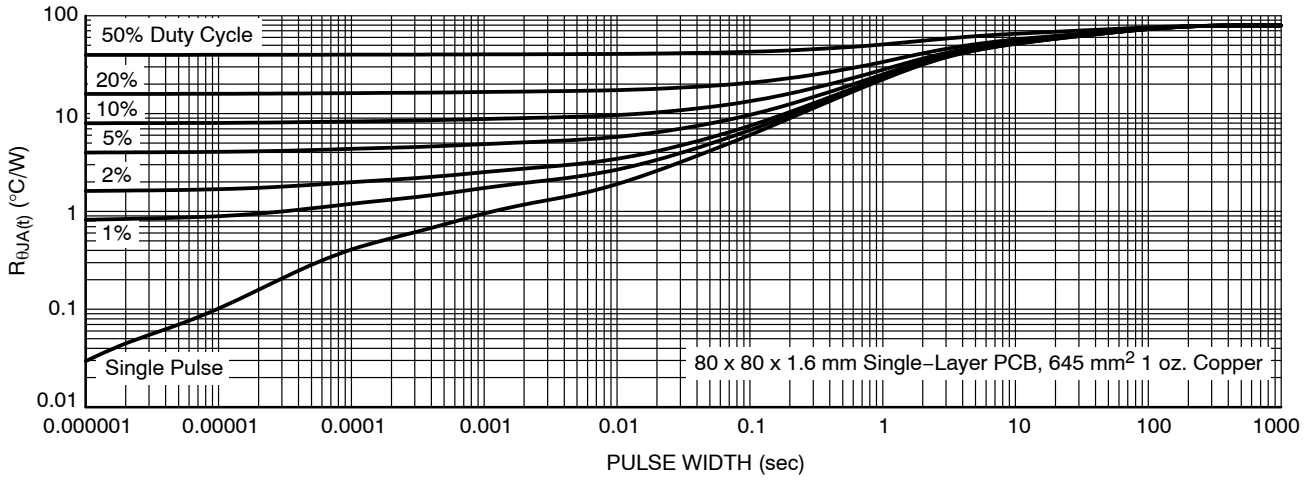


Figure 25. Transient Thermal Resistance – SOIC-8 Dual, both channels loaded equally

APPLICATION INFORMATION

Circuit Protection Features

The NCV8412 has three main protections. Current Limit, Thermal Shutdown and Delta Thermal Shutdown. These protections establish robustness of the NCV8412.

Current Limit and Short Circuit Protection

The NCV8412 has current sense element. In the event that the drain current reaches designed current limit level, integrated Current Limit protection establishes its constant level.

Delta Thermal Shutdown

Delta Thermal Shutdown (DTSD) Protection increases higher reliability of the NCV8412. DTSD consist of two independent temperature sensors – cold and hot sensors. The NCV8412 establishes a slow junction temperature rise by sensing the difference between the hot and cold sensors. ON/OFF output cycling is designed with hysteresis that results in a controlled saw tooth temperature profile (Figure 27). The die temperature slowly rises (DTSD) until the absolute temperature shutdown (TSD) is reached around 175°C.

Thermal Shutdown with Automatic Restart

Internal Thermal Shutdown (TSD) circuitry is provided to protect the NCV8412 in the event that the maximum

junction temperature is exceeded. When activated at typically 175°C, the NCV8412 turns off. This feature is provided to prevent failures from accidental overheating.

EMC Performance

If better EMC performance is needed, connect a small ceramic capacitor to the drain pin as close to the device as possible according to Figure 26.

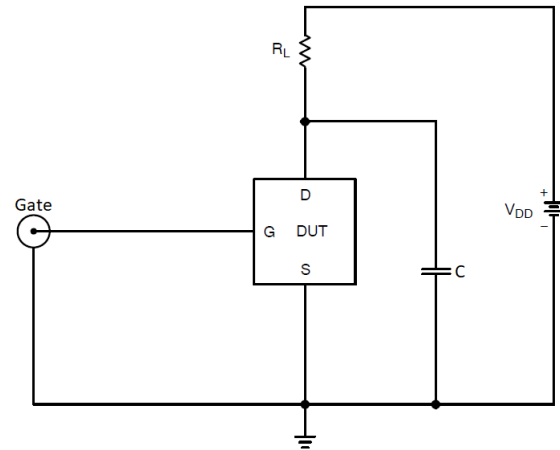


Figure 26. EMC Capacitor Placement

TEST CIRCUITS AND WAVEFORMS

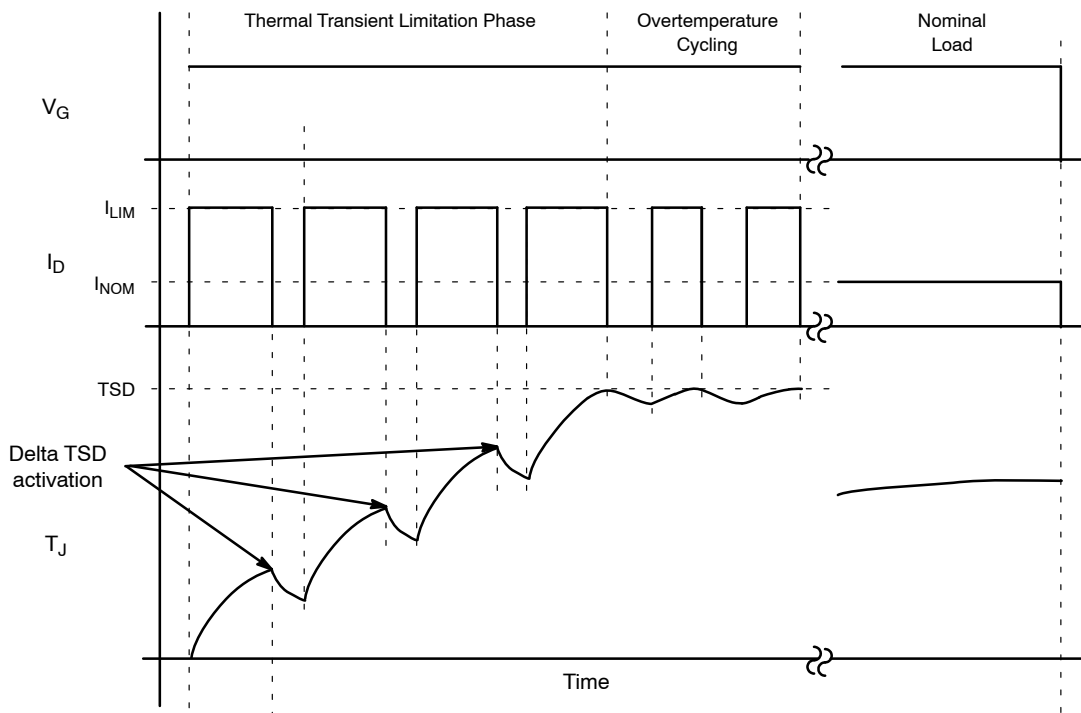


Figure 27. Overload Protection Behavior

NCV8412, NCV8412D

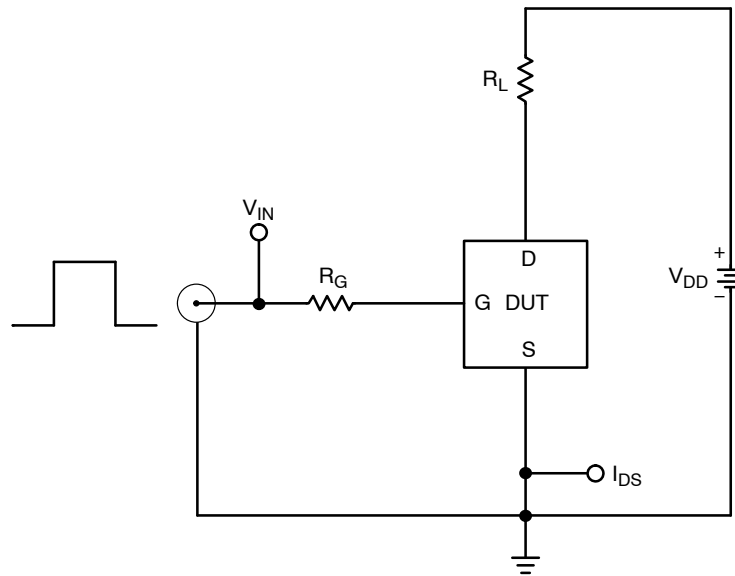


Figure 28. Resistive Load Switching Test Circuit

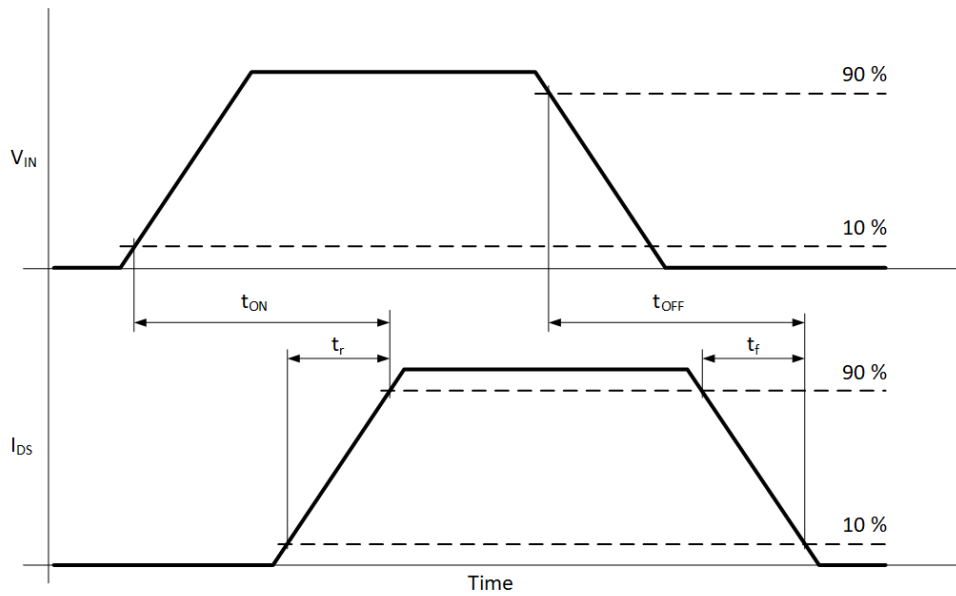


Figure 29. Resistive Load Switching Waveforms

NCV8412, NCV8412D

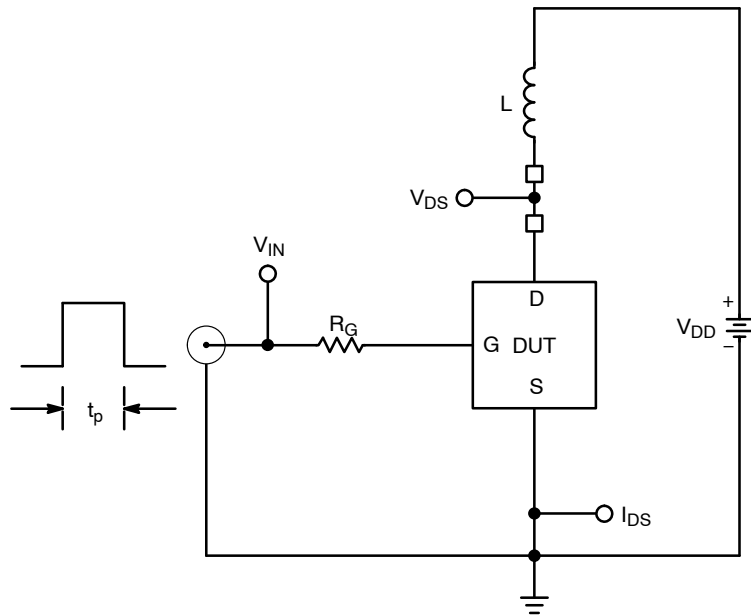


Figure 30. Inductive Load Switching Test Circuit

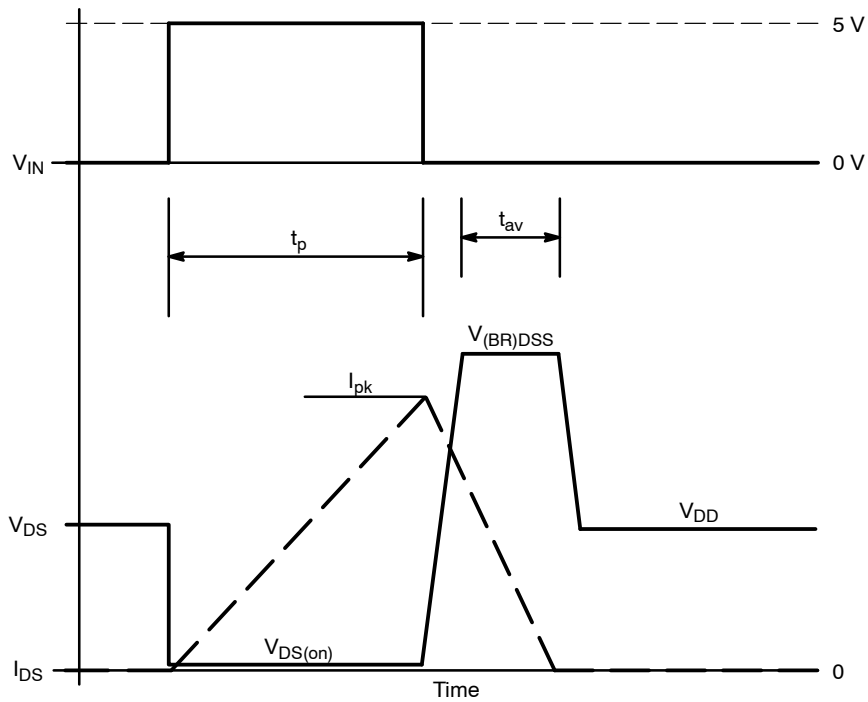


Figure 31. Inductive Load Switching Waveforms

NCV8412, NCV8412D

DEVICE ORDERING INFORMATION

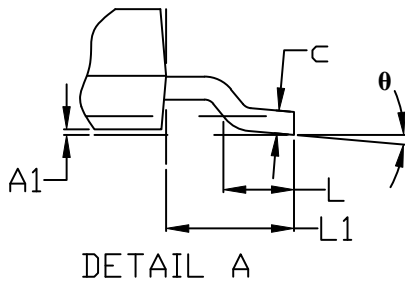
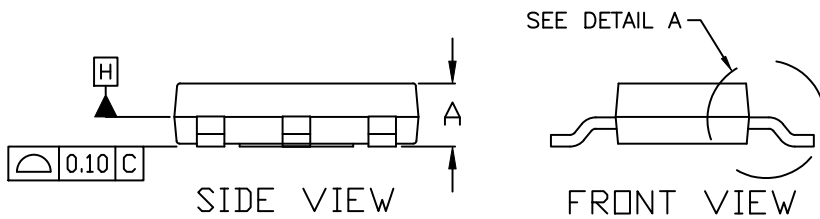
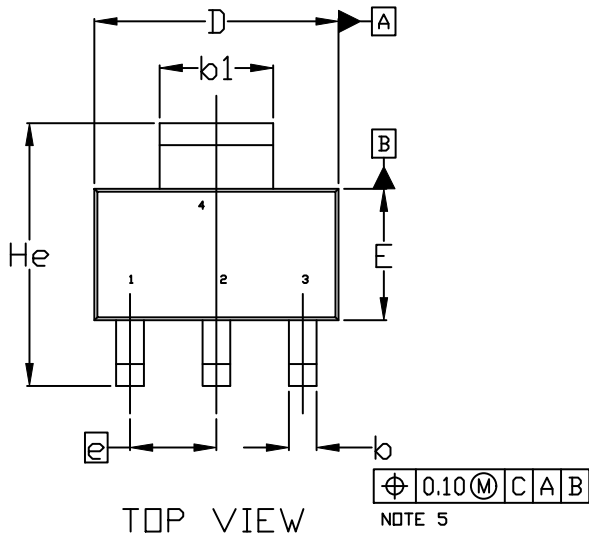
Device	Marking	Package	Shipping†
NCV8412ASTT1G	8412A	SOT-223 (Pb-Free)	1,000 / Tape & Reel
NCV8412ASTT3G	8412A	SOT-223 (Pb-Free)	1,000 / Tape & Reel
NCV8412ADDR2G	8412AD	SOIC-8 (Pb-Free)	2,500 / Tape & Reel

†For information on tape and reel specifications, including part orientation and tape sizes, please refer to our Tape and Reel Packaging Specifications Brochure, BRD8011/D.

NCV8412, NCV8412D

PACKAGE DIMENSIONS

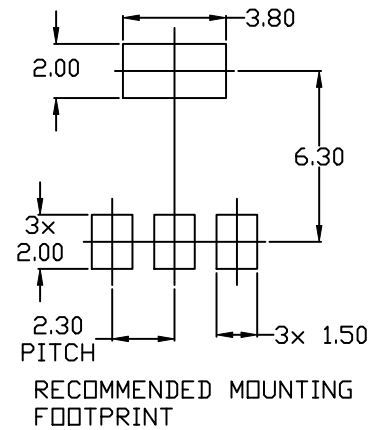
SOT-223 (TO-261)
CASE 318E-04
ISSUE R



NOTES:

1. DIMENSIONING AND TOLERANCING PER ASME Y14.5M, 1994.
2. CONTROLLING DIMENSION: MILLIMETERS
3. DIMENSIONS D & E DO NOT INCLUDE MOLD FLASH, PROTRUSIONS OR GATE BURRS. MOLD FLASH, PROTRUSIONS OR GATE BURRS SHALL NOT EXCEED 0.200MM PER SIDE.
4. DATUMS A AND B ARE DETERMINED AT DATUM H.
5. A1 IS DEFINED AS THE VERTICAL DISTANCE FROM THE SEATING PLANE TO THE LOWEST POINT OF THE PACKAGE BODY.
6. POSITIONAL TOLERANCE APPLIES TO DIMENSIONS b AND b1.

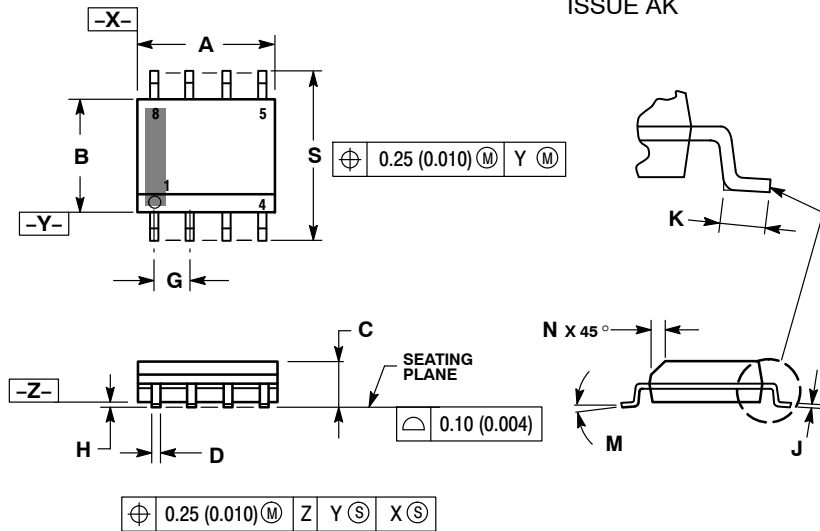
MILLIMETERS			
DIM	MIN.	NOM.	MAX.
A	1.50	1.63	1.75
A1	0.02	0.06	0.10
b	0.60	0.75	0.89
b1	2.90	3.06	3.20
c	0.24	0.29	0.35
D	6.30	6.50	6.70
E	3.30	3.50	3.70
e	2.30 BSC		
L	0.20	---	---
L1	1.50	1.75	2.00
He	6.70	7.00	7.30
θ	0°	---	10°



NCV8412, NCV8412D

PACKAGE DIMENSIONS

SOIC-8 NB CASE 751-07 ISSUE AK



NOTES:

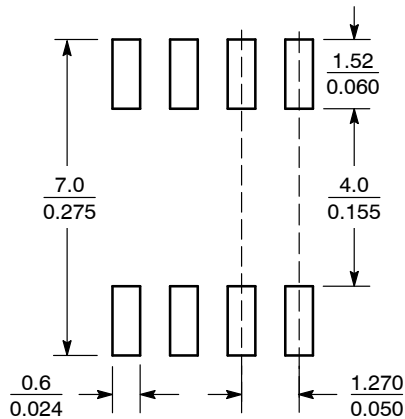
1. DIMENSIONING AND TOLERANCING PER ANSI Y14.5M, 1982.
2. CONTROLLING DIMENSION: MILLIMETER.
3. DIMENSION A AND B DO NOT INCLUDE MOLD PROTRUSION.
4. MAXIMUM MOLD PROTRUSION 0.15 (0.006) PER SIDE.
5. DIMENSION D DOES NOT INCLUDE DAMBAR PROTRUSION. ALLOWABLE DAMBAR PROTRUSION SHALL BE 0.127 (0.005) TOTAL IN EXCESS OF THE D DIMENSION AT MAXIMUM MATERIAL CONDITION.
6. 751-01 THRU 751-06 ARE OBSOLETE. NEW STANDARD IS 751-07.

DIM	MILLIMETERS		INCHES	
	MIN	MAX	MIN	MAX
A	4.80	5.00	0.189	0.197
B	3.80	4.00	0.150	0.157
C	1.35	1.75	0.053	0.069
D	0.33	0.51	0.013	0.020
G	1.27 BSC		0.050 BSC	
H	0.10	0.25	0.004	0.010
J	0.19	0.25	0.007	0.010
K	0.40	1.27	0.016	0.050
M	0°	8°	0°	8°
N	0.25	0.50	0.010	0.020
S	5.80	6.20	0.228	0.244

STYLE 11:

1. SOURCE 1
2. GATE 1
3. SOURCE 2
4. GATE 2
5. DRAIN 2
6. DRAIN 2
7. DRAIN 1
8. DRAIN 1

SOLDERING FOOTPRINT*



SCALE 6:1 (mm/inches)

*For additional information on our Pb-Free strategy and soldering details, please download the ON Semiconductor Soldering and Mounting Techniques Reference Manual, SOLDERRM/D.

ON Semiconductor and are trademarks of Semiconductor Components Industries, LLC dba ON Semiconductor or its subsidiaries in the United States and/or other countries. ON Semiconductor owns the rights to a number of patents, trademarks, copyrights, trade secrets, and other intellectual property. A listing of ON Semiconductor's product/patent coverage may be accessed at www.onsemi.com/site/pdf/Patent-Marketing.pdf. ON Semiconductor reserves the right to make changes without further notice to any products herein. ON Semiconductor makes no warranty, representation or guarantee regarding the suitability of its products for any particular purpose, nor does ON Semiconductor assume any liability arising out of the application or use of any product or circuit, and specifically disclaims any and all liability, including without limitation special, consequential or incidental damages. Buyer is responsible for its products and applications using ON Semiconductor products, including compliance with all laws, regulations and safety requirements or standards, regardless of any support or applications information provided by ON Semiconductor. "Typical" parameters which may be provided in ON Semiconductor data sheets and/or specifications can and do vary in different applications and actual performance may vary over time. All operating parameters, including "Typicals" must be validated for each customer application by customer's technical experts. ON Semiconductor does not convey any license under its patent rights nor the rights of others. ON Semiconductor products are not designed, intended, or authorized for use as a critical component in life support systems or any FDA Class 3 medical devices or medical devices with a same or similar classification in a foreign jurisdiction or any devices intended for implantation in the human body. Should Buyer purchase or use ON Semiconductor products for any such unintended or unauthorized application, Buyer shall indemnify and hold ON Semiconductor and its officers, employees, subsidiaries, affiliates, and distributors harmless against all claims, costs, damages, and expenses, and reasonable attorney fees arising out of, directly or indirectly, any claim of personal injury or death associated with such unintended or unauthorized use, even if such claim alleges that ON Semiconductor was negligent regarding the design or manufacture of the part. ON Semiconductor is an Equal Opportunity/Affirmative Action Employer. This literature is subject to all applicable copyright laws and is not for resale in any manner.

PUBLICATION ORDERING INFORMATION

LITERATURE FULFILLMENT:
Email Requests to: orderlit@onsemi.com

TECHNICAL SUPPORT
North American Technical Support:
Voice Mail: 1 800-282-9855 Toll Free USA/Canada
Phone: 011 421 33 790 2910

Europe, Middle East and Africa Technical Support:
Phone: 00421 33 790 2910
For additional information, please contact your local Sales Representative

单击下面可查看定价，库存，交付和生命周期等信息

[>>ON Semiconductor\(安森美\)](#)