

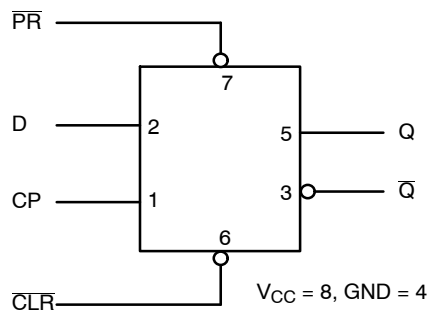
Single D Flip Flop

NL17SZ74

The NL17SZ74 is a high performance, full function Edge triggered D Flip Flop, with all the features of a standard logic device such as the 74LCX74.

Features

- Designed for 1.65 V to 5.5 V V_{CC} Operation
- 2.6 ns t_{PD} at $V_{CC} = 5$ V (typ)
- Inputs/Outputs Overvoltage Tolerant up to 5.5 V
- I_{OFF} Supports Partial Power Down Protection
- Source/Sink 24 mA at 3.0 V
- Available in US8, UDFN8 and UQFN8 Packages
- Chip Complexity < 100 FETs
- NLV Prefix for Automotive and Other Applications Requiring Unique Site and Control Change Requirements; AEC-Q100 Qualified and PPAP Capable
- These Devices are Pb-Free, Halogen Free/BFR Free and are RoHS Compliant



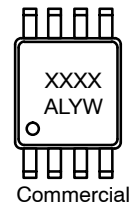
Pin numbers indicated are for US8 and UDFN8 packages.

Figure 1. Logic Symbol

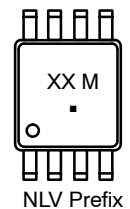
MARKING DIAGRAMS



US8
US SUFFIX
CASE 493



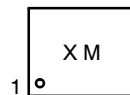
Commercial



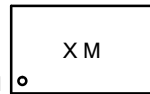
NLV Prefix



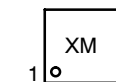
UDFN8, 1.45x1.0
MU3 SUFFIX
CASE 517BZ



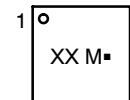
UDFN8, 1.95x1.0
MU1 SUFFIX
CASE 517CA



UQFN8, 1.4x1.2
MQ2 SUFFIX
CASE 523AS



UQFN8, 1.6x1.6
MQ1 SUFFIX
CASE 523AN



X, XX, XXXX = Specific Device Code
A = Assembly Location
L = Lot Code
Y = Year Code
W = Week Code
M = Date Code
▪ = Pb-Free Package

ORDERING INFORMATION

See detailed ordering, marking and shipping information on page 8 of this data sheet.

NL17SZ74

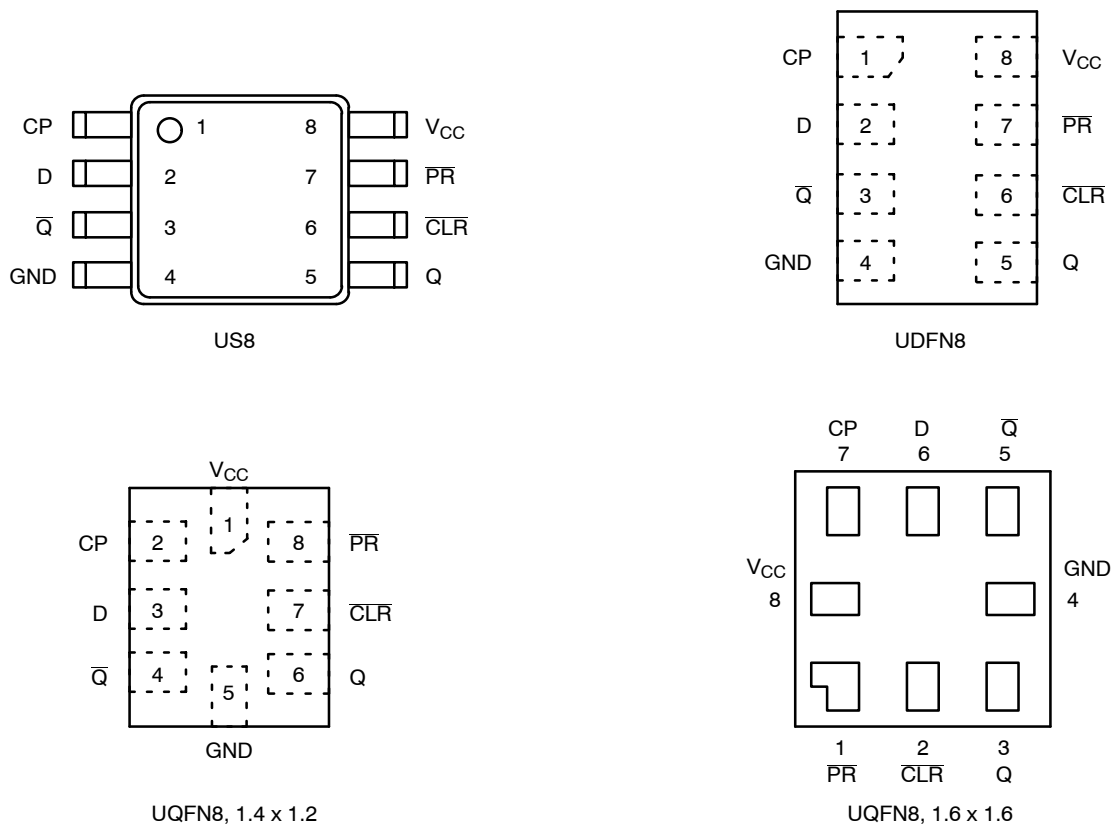


Figure 2. Pinout (Top View)

PIN ASSIGNMENT

| Pin | US8 | UDFN8 | UQFN8, 1.4x1.2 | UQFN8, 1.6x1.6 |
|-----|-----------------|-----------------|-------------------|-------------------|
| 1 | CP | CP | V _{CC} | PR̄ |
| 2 | D | D | CP | CLR̄ |
| 3 | Q̄ | Q̄ | D | Q |
| 4 | GND | GND | Q̄ | GND |
| 5 | Q | Q | GND | Q̄ |
| 6 | CLR̄ | CLR̄ | Q | D |
| 7 | PR̄ | PR̄ | CLR̄ | CP |
| 8 | V _{CC} | V _{CC} | PR̄ | V _{CC} |

FUNCTION TABLE

| Inputs | | | | Outputs | | Operating Mode |
|--------|------|----|---|---------|----|-----------------------------------------------------------|
| PR̄ | CLR̄ | CP | D | Q | Q̄ | |
| L | H | X | X | H | L | Asynchronous Set Asynchronous Clear Underdetermined |
| H | L | X | X | L | H | |
| L | L | X | X | H | H | |
| H | H | ↑ | h | H | L | Load and Read Register |
| H | H | ↑ | l | L | H | |
| H | H | ↕ | X | NC | NC | Hold |

H = High Voltage Level
 h = High Voltage Level One Setup Time Prior to Low-to-High Clock Transition
 L = Low Voltage Level
 l = Low Voltage Level One Setup Time Prior to Low-to-High Clock Transition
 NC = No Change
 X = High or Low Voltage Level and Transitions are Acceptable
 ↑ = Low-to-High Transition
 ↕ = Not a Low-to-High Transition
 For I_{CC} reasons, DO NOT FLOAT Inputs

NL17SZ74

MAXIMUM RATINGS

| Symbol | Characteristics | Value | Unit |
|-------------------------------------|----------------------------------------------------------------------------------------------------------------------------------|---------------------------------------------------------------|------|
| V _{CC} | DC Supply Voltage NLV | -0.5 to +7.0 -0.5 to +6.5 | V |
| V _{IN} | DC Input Voltage NLV | -0.5 to +7.0 -0.5 to +6.5 | V |
| V _{OUT} | DC Output Voltage (NLV) Active-Mode (High or Low State) Tri-State Mode (Note 1) Power-Down Mode (V _{CC} = 0 V) | -0.5 to V _{CC} + 0.5 -0.5 to +7.0 -0.5 to +7.0 | V |
| | DC Output Voltage Active-Mode (High or Low State) Tri-State Mode (Note 1) Power-Down Mode (V _{CC} = 0 V) | -0.5 to V _{CC} + 0.5 -0.5 to +6.5 -0.5 to +6.5 | V |
| I _{IK} | DC Input Diode Current V _{IN} < GND | -50 | mA |
| I _{OK} | DC Output Diode Current V _{OUT} < GND | -50 | mA |
| I _{OUT} | DC Output Source/Sink Current | ±50 | mA |
| I _{CC} or I _{GND} | DC Supply Current per Supply Pin or Ground Pin | ±100 | mA |
| T _{STG} | Storage Temperature Range | -65 to +150 | °C |
| T _L | Lead Temperature, 1 mm from Case for 10 secs | 260 | °C |
| T _J | Junction Temperature Under Bias | +150 | °C |
| θ _{JA} | Thermal Resistance (Note 2) | US8 UQFN8 UDFN8 250 210 231 | °C/W |
| P _D | Power Dissipation in Still Air | US8 UQFN8 UDFN8 500 595 541 | mW |
| MSL | Moisture Sensitivity | Level 1 | - |
| F _R | Flammability Rating Oxygen Index: 28 to 34 | UL 94 V-0 @ 0.125 in | - |
| V _{ESD} | ESD Withstand Voltage (Note 3) Human Body Model Charged Device Model | 2000 1000 | V |
| I _{Latchup} | Latchup Performance (Note 4) | ±100 | mA |

Stresses exceeding those listed in the Maximum Ratings table may damage the device. If any of these limits are exceeded, device functionality should not be assumed, damage may occur and reliability may be affected.

1. Applicable to devices with outputs that may be tri-stated.
2. Measured with minimum pad spacing on an FR4 board, using 10mm-by-1inch, 2 ounce copper trace no air flow per JESD51-7.
3. HBM tested to ANSI/ESDA/JEDEC JS-001-2017. CDM tested to EIA/JESD22-C101-F. JEDEC recommends that ESD qualification to EIA/JESD22-A115-A (Machine Model) be discontinued per JEDEC/JEP172A.
4. Tested to EIA/JESD78 Class II.

RECOMMENDED OPERATING CONDITIONS

| Symbol | Characteristics | Min | Max | Unit |
|---------------------------------|----------------------------------------------------------------------------------------------------------------------------------------------------------------------------|------------------|---------------------|------|
| V _{CC} | Positive DC Supply Voltage | 1.65 | 5.5 | V |
| V _{IN} | DC Input Voltage | 0 | 5.5 | V |
| V _{OUT} | DC Output Voltage Active-Mode (High or Low State) Tri-State Mode (Note 1) Power-Down Mode (V _{CC} = 0 V) | 0 | V _{CC} | |
| | | 0 | 5.5 | |
| | | 0 | 5.5 | |
| T _A | Operating Temperature Range | -55 | +125 | °C |
| t _R , t _F | Input Rise and Fall Rate V _{CC} = 1.65 V to 1.95 V V _{CC} = 2.3 V to 2.7 V V _{CC} = 3.0 V to 3.6 V V _{CC} = 4.5 V to 5.5 V | 0 0 0 0 | 20 20 10 5 | ns/V |

Functional operation above the stresses listed in the Recommended Operating Ranges is not implied. Extended exposure to stresses beyond the Recommended Operating Ranges limits may affect device reliability.

NL17SZ74

DC ELECTRICAL CHARACTERISTICS

| Symbol | Parameter | Condition | V _{CC} (V) | T _A = 25°C | | | -55°C ≤ T _A ≤ 125°C | | Units |
|------------------|--------------------------------|---------------------------------------------------------------------------------------------------------------------------------------------------------------------------------------------------------------------------------------------------------|------------------------|------------------------|-----------------|------------------------|--------------------------------|------------------------|-------|
| | | | | Min | Typ | Max | Min | Max | |
| V _{IH} | High-Level Input Voltage (NLV) | | 1.65 to 1.95 | 0.75 x V _{CC} | | | 0.75 x V _{CC} | | V |
| | | | 2.3 to 5.5 | 0.70 x V _{CC} | | | 0.70 x V _{CC} | | |
| | High-Level Input Voltage | | 1.65 to 1.95 | 0.65 x V _{CC} | | | 0.65 x V _{CC} | | V |
| | | | 2.3 to 5.5 | 0.70 x V _{CC} | | | 0.70 x V _{CC} | | |
| V _{IL} | Low-Level Input Voltage (NLV) | | 1.65 to 1.95 | | | 0.25 x V _{CC} | | 0.25 x V _{CC} | V |
| | | | 2.3 to 5.5 | | | 0.30 x V _{CC} | | 0.30 x V _{CC} | |
| | Low-Level Input Voltage | | 1.65 to 1.95 | | | 0.35 x V _{CC} | | 0.35 x V _{CC} | V |
| | | | 2.3 to 5.5 | | | 0.30 x V _{CC} | | 0.30 x V _{CC} | |
| V _{OH} | High-Level Output Voltage | V _{IN} = V _{IH} or V _{IL} I _{OH} = -100 μA I _{OH} = -4 mA I _{OH} = -8 mA I _{OH} = -12 mA I _{OH} = -16 mA I _{OH} = -24 mA I _{OH} = -32 mA | 1.65 to 5.5 | V _{CC} - 0.1 | V _{CC} | - | V _{CC} - 0.1 | - | V |
| | | | 1.65 | 1.29 | 1.4 | - | 1.29 | - | |
| | | | 2.3 | 1.9 | 2.1 | - | 1.9 | - | |
| | | | 2.7 | 2.2 | 2.4 | - | 2.2 | - | |
| | | | 3.0 | 2.4 | 2.7 | - | 2.4 | - | |
| | | | 3.0 | 2.3 | 2.5 | - | 2.3 | - | |
| | | | 4.5 | 3.8 | 4.0 | - | 3.8 | - | |
| V _{OL} | Low-Level Output Voltage | V _{IN} = V _{IH} or V _{IL} I _{OL} = 100 μA I _{OL} = 4 mA I _{OL} = 8 mA I _{OL} = 12 mA I _{OL} = 16 mA I _{OL} = 24 mA I _{OL} = 32 mA | 1.65 to 5.5 | - | - | 0.1 | - | 0.1 | V |
| | | | 1.65 | - | 0.08 | 0.24 | - | 0.24 | |
| | | | 2.3 | - | 0.2 | 0.3 | - | 0.3 | |
| | | | 2.7 | - | 0.22 | 0.4 | - | 0.4 | |
| | | | 3.0 | - | 0.28 | 0.4 | - | 0.4 | |
| | | | 3.0 | - | 0.38 | 0.55 | - | 0.55 | |
| | | | 4.5 | - | 0.42 | 0.55 | - | 0.55 | |
| I _{IN} | Input Leakage Current | V _{IN} = 5.5 V or GND | 1.65 to 5.5 | - | - | ±0.1 | - | ±1.0 | μA |
| I _{OFF} | Power Off Leakage Current | V _{IN} = 5.5 V or V _{OUT} = 5.5 V | 0 | - | - | 1.0 | - | 10 | μA |
| I _{CC} | Quiescent Supply Current | V _{IN} = V _{CC} or GND | 5.5 | - | - | 1.0 | - | 10 | μA |

Product parametric performance is indicated in the Electrical Characteristics for the listed test conditions, unless otherwise noted. Product performance may not be indicated by the Electrical Characteristics if operated under different conditions.

NL17SZ74

AC ELECTRICAL CHARACTERISTICS

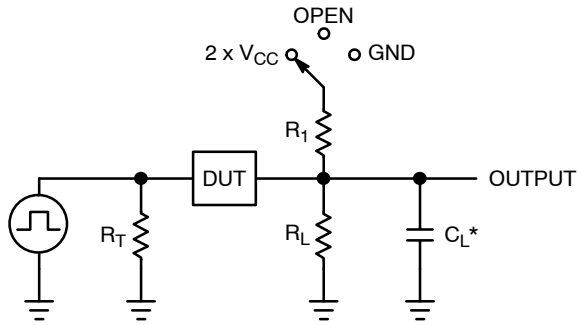
| Symbol | Parameter | V _{CC} (V) | Test Conditions | T _A = 25°C | | | T _A = -55 to 125°C | | Units |
|----------------------------------------|------------------------------------------------------------|---------------------|--------------------------------------------------------------------------|-----------------------|-----|------|-------------------------------|------|-------|
| | | | | Min | Typ | Max | Min | Max | |
| f _{MAX} | Maximum Clock Frequency (50% Duty Cycle) (Figures 3 and 5) | 1.65 to 1.95 | C _L = 15 pF R _L = 1 MΩ S ₁ = Open | 75 | - | - | 75 | - | MHz |
| | | 2.3 to 2.7 | | 150 | - | - | 150 | - | |
| | | 3.0 to 3.6 | | 200 | - | - | 200 | - | |
| | | 4.5 to 5.5 | | 250 | - | - | 250 | - | |
| | | 3.0 to 3.6 | C _L = 50 pF, R _L = 500 Ω, S ₁ = Open | 175 | - | - | 175 | - | |
| | | 4.5 to 5.5 | | 200 | - | - | 200 | - | |
| t _{PLH} , t _{PHL} | Propagation Delay, CP to Q or Q̄ (Figures 3 and 4) | 1.65 to 1.95 | C _L = 15 pF R _L = 1 MΩ S ₁ = Open | - | 6.5 | 12.5 | - | 13 | ns |
| | | 2.3 to 2.7 | | - | 3.8 | 7.5 | - | 8.0 | |
| | | 3.0 to 3.6 | | - | 2.8 | 6.5 | - | 7.0 | |
| | | 4.5 to 5.5 | | - | 2.2 | 4.5 | - | 5.0 | |
| | | 3.0 to 3.6 | C _L = 50 pF, R _D = 500 Ω, S ₁ = Open | - | 3.4 | 7.0 | - | 7.5 | |
| | | 4.5 to 5.5 | | - | 2.6 | 5.0 | - | 5.5 | |
| t _{PLH} , t _{PHL} | Propagation Delay, PR or CLR to Q or Q̄ (Figures 3 and 4) | 1.65 to 1.95 | C _L = 15 pF R _L = 1 MΩ S ₁ = Open | - | 6.5 | 14 | - | 14.5 | ns |
| | | 2.3 to 2.7 | | - | 3.8 | 9.0 | - | 9.5 | |
| | | 3.0 to 3.6 | | - | 2.8 | 6.5 | - | 7.0 | |
| | | 4.5 to 5.5 | | - | 2.2 | 5.0 | - | 5.5 | |
| | | 3.0 to 3.6 | C _L = 50 pF, R _L = 500 Ω, S ₁ = Open | - | 3.4 | 7.0 | - | 7.5 | |
| | | 4.5 to 5.5 | | - | 2.6 | 5.0 | - | 5.5 | |
| t _S | Setup Time, D to CP (Figures 3 and 5) | 1.65 to 1.95 | C _L = 15 pF R _L = 1 MΩ S ₁ = Open | 6.5 | - | - | 6.5 | - | ns |
| | | 2.3 to 2.7 | | 3.5 | - | - | 3.5 | - | |
| | | 3.0 to 3.6 | | 2.0 | - | - | 2.0 | - | |
| | | 4.5 to 5.5 | | 1.5 | - | - | 1.5 | - | |
| | | 3.0 to 3.6 | C _L = 50 pF, R _L = 500 Ω, S ₁ = Open | 2.0 | - | - | 2.0 | - | |
| | | 4.5 to 5.5 | | 1.5 | - | - | 1.5 | - | |
| t _H | Hold Time, D to CP (Figures 3 and 5) | 1.65 to 1.95 | C _L = 15 pF R _L = 1 MΩ S ₁ = Open | 0.5 | - | - | 0.5 | - | ns |
| | | 2.3 to 2.7 | | 0.5 | - | - | 0.5 | - | |
| | | 3.0 to 3.6 | | 0.5 | - | - | 0.5 | - | |
| | | 4.5 to 5.5 | | 0.5 | - | - | 0.5 | - | |
| | | 3.0 to 3.6 | C _L = 50 pF, R _L = 500 Ω, S ₁ = Open | 0.5 | - | - | 0.5 | - | |
| | | 4.5 to 5.5 | | 0.5 | - | - | 0.5 | - | |
| t _W | Pulse Width, CP, CLR, PR (Figures 3 and 5) | 1.65 to 1.95 | C _L = 15 pF R _L = 1 MΩ S ₁ = Open | 6.0 | - | - | 6.0 | - | ns |
| | | 2.3 to 2.7 | | 4.0 | - | - | 4.0 | - | |
| | | 3.0 to 3.6 | | 3.0 | - | - | 3.0 | - | |
| | | 4.5 to 5.5 | | 2.0 | - | - | 2.0 | - | |
| | | 3.0 to 3.6 | C _L = 50 pF, R _L = 500 Ω, S ₁ = Open | 3.0 | - | - | 3.0 | - | |
| | | 4.5 to 5.5 | | 2.0 | - | - | 2.0 | - | |
| t _{REC} | Recover Time PR; CLR to CP (Figures 3 and 5) | 1.65 to 1.95 | C _L = 15 pF R _D = 1 MΩ S ₁ = Open | 8.0 | - | - | 8.0 | - | ns |
| | | 2.3 to 2.7 | | 4.5 | - | - | 4.5 | - | |
| | | 3.0 to 3.6 | | 3.0 | - | - | 3.0 | - | |
| | | 4.5 to 5.5 | | 3.0 | - | - | 3.0 | - | |
| | | 3.0 to 3.6 | C _L = 50 pF, R _L = 500 Ω, S ₁ = Open | 3.0 | - | - | 3.0 | - | |
| | | 4.5 to 5.5 | | 3.0 | - | - | 3.0 | - | |

5. C_{PD} is defined as the value of the internal equivalent capacitance which is calculated from the operating current consumption without load. Average operating current can be obtained by the equation: I_{CC(OPR)} = C_{PD} • V_{CC} • f_{in} + I_{CC}/2 (per flip-flop). C_{PD} is used to determine the no-load dynamic power consumption; P_D = C_{PD} • V_{CC}² • f_{in} + I_{CC} • V_{CC}.

CAPACITIVE CHARACTERISTICS

| Symbol | Parameter | Condition | Typical | Units |
|------------------|----------------------------------------|--------------------------------------------------------------------------------------------------------------------------------------------------------|---------|-------|
| C _{IN} | Input Capacitance | V _{CC} = 5.5 V, V _{IN} = 0 V or V _{CC} | 2.5 | pF |
| C _{OUT} | Output Capacitance | V _{CC} = 5.5 V, V _{IN} = 0 V or V _{CC} | 2.5 | pF |
| C _{PD} | Power Dissipation Capacitance (Note 6) | 10 MHz, V _{CC} = 3.3 V, V _{IN} = 0 V or V _{CC} 10 MHz, V _{CC} = 5.5 V, V _{IN} = 0 V or V _{CC} | 9 11 | pF |

6. C_{PD} is defined as the value of the internal equivalent capacitance which is calculated from the operating current consumption without load. Average operating current can be obtained by the equation: I_{CC(OPR)} = C_{PD} • V_{CC} • f_{in} + I_{CC}. C_{PD} is used to determine the no-load dynamic power consumption; P_D = C_{PD} • V_{CC}² • f_{in} + I_{CC} • V_{CC}.



C_L includes probe and jig capacitance
R_T is Z_{OUT} of pulse generator (typically 50 Ω)
f = 1 MHz

Figure 3. Test Circuit

| Test | Switch Position | C _L , pF | R _L , Ω | R ₁ , Ω |
|-------------------------------------|---------------------|------------------------------|--------------------|--------------------|
| t _{PLH} / t _{PHL} | Open | See AC Characteristics Table | | |
| t _{PZL} / t _{PZL} | 2 x V _{CC} | 50 | 500 | 500 |
| t _{PHZ} / t _{PZH} | GND | 50 | 500 | 500 |

X = Don't Care

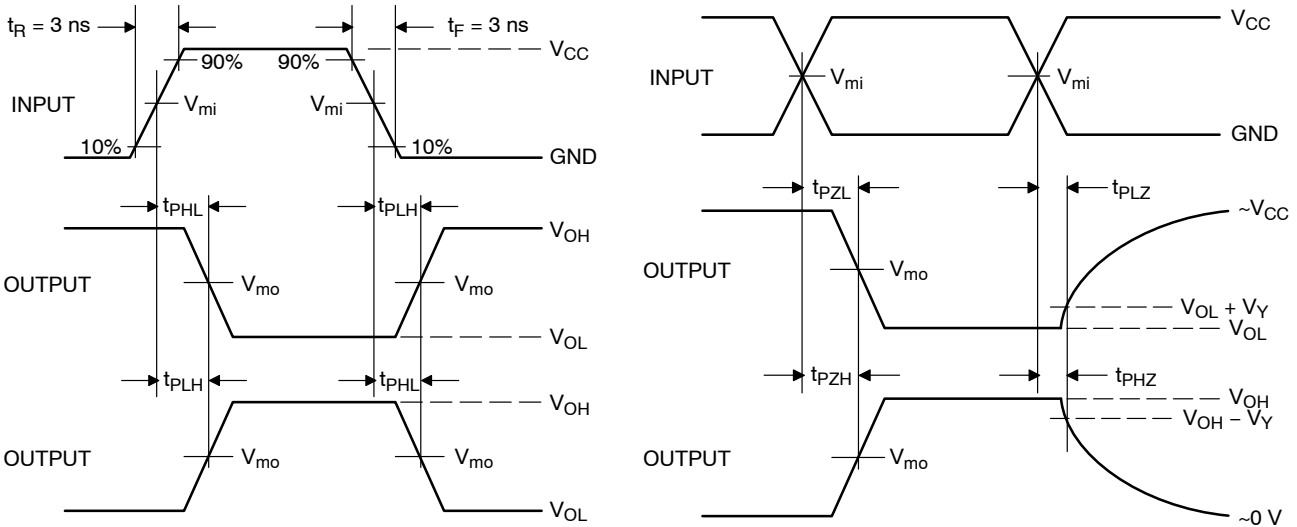


Figure 4. Switching Waveforms

NL17SZ74

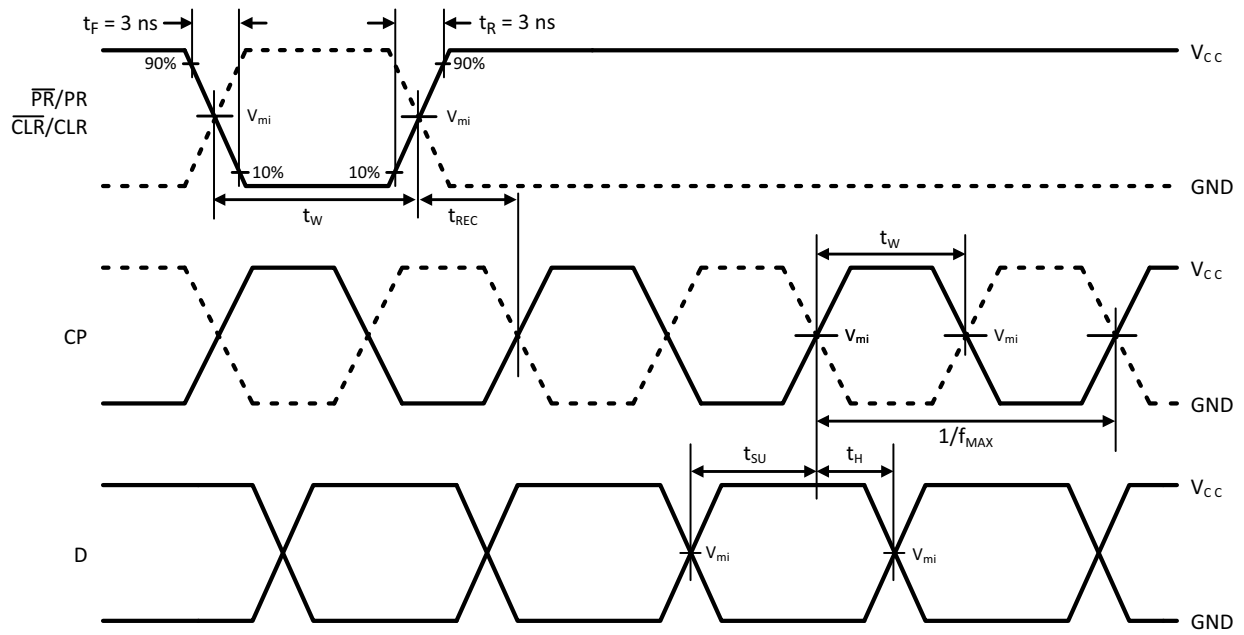


Figure 5. Setup, Hold and Recovery Time Waveforms

| V_{CC}, V | V_{mi}, V | V_{mo}, V | | V_Y, V |
|--------------|-------------|--------------------|--------------------------------------|----------|
| | | t_{PLH}, t_{PHL} | $t_{PZL}, t_{PLZ}, t_{PZH}, t_{PHZ}$ | |
| 1.65 to 1.95 | $V_{CC}/2$ | $V_{CC}/2$ | $V_{CC}/2$ | 0.15 |
| 2.3 to 2.7 | $V_{CC}/2$ | $V_{CC}/2$ | $V_{CC}/2$ | 0.15 |
| 3.0 to 3.6 | $V_{CC}/2$ | $V_{CC}/2$ | $V_{CC}/2$ | 0.3 |
| 4.5 to 5.5 | $V_{CC}/2$ | $V_{CC}/2$ | $V_{CC}/2$ | 0.3 |

NL17SZ74

DEVICE ORDERING INFORMATION

| Device | Packages | Marking | Pin 1 Orientation (See below) | Shipping [†] |
|--------------------------------------|-----------------------------|---------|----------------------------------|-----------------------|
| NL17SZ74USG | US8 | MH | Q4 | 3000 / Tape & Reel |
| NLV17SZ74USG* | US8 | MH | Q4 | 3000 / Tape & Reel |
| NL17SZ74USG-L22190** | US8 | MH | Q4 | 3000 / Tape & Reel |
| NL17SZ74MQ1TCG | UQFN8, 1.6 x 1.6, 0.5P | AA | Q1 | 3000 / Tape & Reel |
| NLV17SZ74MQ1TCG* (In Development) | UQFN8, 1.6 x 1.6, 0.5P | AA | Q1 | 3000 / Tape & Reel |
| NL17SZ74MU1TCG (In Development) | UDFN8, 1.95 x 1.0, 0.5P | TBD | Q4 | 3000 / Tape & Reel |
| NL17SZ74MU3TCG (In Development) | UDFN8, 1.45 x 1.0, 0.35P | TBD | Q4 | 3000 / Tape & Reel |
| NL17SZ74MQ2TCG (In Development) | UQFN8, 1.4 x 1.2, 0.4P | TBD | TBD | 3000 / Tape & Reel |

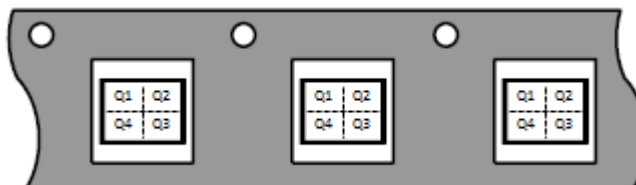
[†]For information on tape and reel specifications, including part orientation and tape sizes, please refer to our Tape and Reel Packaging Specifications Brochure, BRD8011/D.

*NLV Prefix for Automotive and Other Applications Requiring Unique Site and Control Change Requirements; AEC-Q100 Qualified and PPAP Capable.

** Please refer to NLV specifications for this device.

Pin 1 Orientation in Tape and Reel

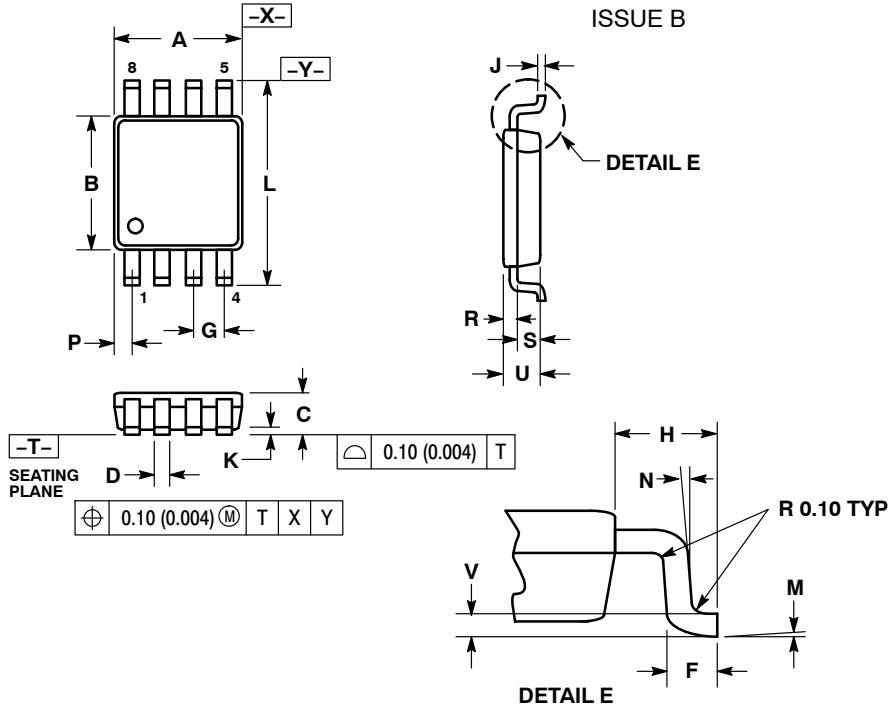
Direction of Feed



NL17SZ74

PACKAGE DIMENSIONS

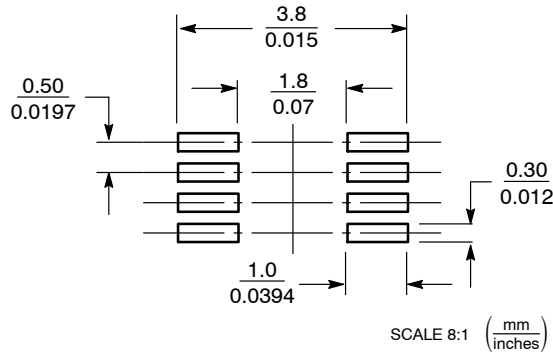
US8
US SUFFIX
CASE 493-02
ISSUE B



- NOTES:
1. DIMENSIONING AND TOLERANCING PER ANSI Y14.5M, 1982.
 2. CONTROLLING DIMENSION: MILLIMETERS.
 3. DIMENSION "A" DOES NOT INCLUDE MOLD FLASH, PROTRUSION OR GATE BURR. MOLD FLASH, PROTRUSION AND GATE BURR SHALL NOT EXCEED 0.140 MM (0.0055") PER SIDE.
 4. DIMENSION "B" DOES NOT INCLUDE INTER-LEAD FLASH OR PROTRUSION. INTER-LEAD FLASH AND PROTRUSION SHALL NOT EXCEED 0.140 (0.0055") PER SIDE.
 5. LEAD FINISH IS SOLDER PLATING WITH THICKNESS OF 0.0076-0.0203 MM. (300-800 °).
 6. ALL TOLERANCE UNLESS OTHERWISE SPECIFIED ±0.0508 (0.0002 °).

| DIM | MILLIMETERS | | INCHES | |
|-----|-------------|------|-----------|-------|
| | MIN | MAX | MIN | MAX |
| A | 1.90 | 2.10 | 0.075 | 0.083 |
| B | 2.20 | 2.40 | 0.087 | 0.094 |
| C | 0.60 | 0.90 | 0.024 | 0.035 |
| D | 0.17 | 0.25 | 0.007 | 0.010 |
| F | 0.20 | 0.35 | 0.008 | 0.014 |
| G | 0.50 BSC | | 0.020 BSC | |
| H | 0.40 REF | | 0.016 REF | |
| J | 0.10 | 0.18 | 0.004 | 0.007 |
| K | 0.00 | 0.10 | 0.000 | 0.004 |
| L | 3.00 | 3.20 | 0.118 | 0.126 |
| M | 0 ° | 6 ° | 0 ° | 6 ° |
| N | 5 ° | 10 ° | 5 ° | 10 ° |
| P | 0.23 | 0.34 | 0.010 | 0.013 |
| R | 0.23 | 0.33 | 0.009 | 0.013 |
| S | 0.37 | 0.47 | 0.015 | 0.019 |
| U | 0.60 | 0.80 | 0.024 | 0.031 |
| V | 0.12 BSC | | 0.005 BSC | |

SOLDERING FOOTPRINT*

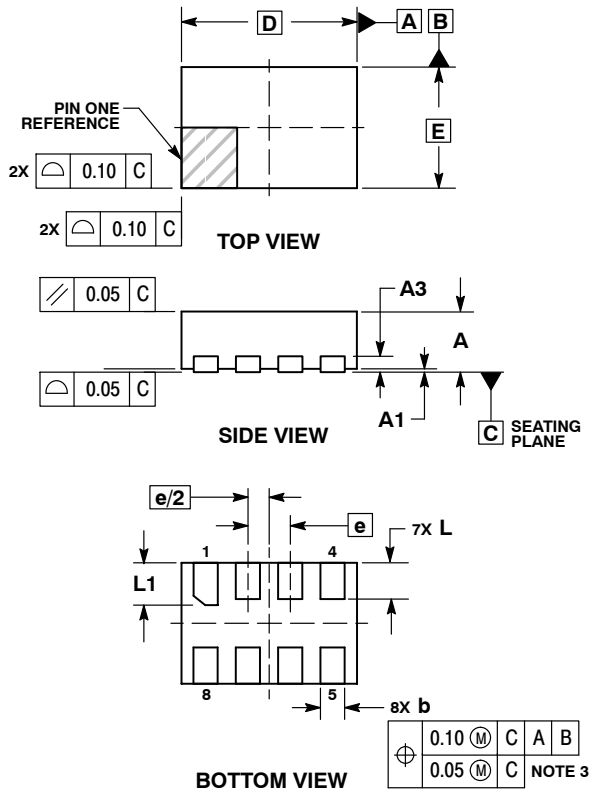


*For additional information on our Pb-Free strategy and soldering details, please download the **onsemi** Soldering and Mounting Techniques Reference Manual, SOLDERRM/D.

NL17SZ74

PACKAGE DIMENSIONS

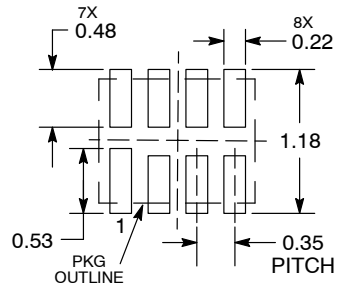
UDFN8, 1.45x1, 0.35P
CASE 517BZ
ISSUE O



- NOTES:
1. DIMENSIONING AND TOLERANCING PER ASME Y14.5M, 1994.
 2. CONTROLLING DIMENSION: MILLIMETERS.
 3. DIMENSION b APPLIES TO PLATED TERMINAL AND IS MEASURED BETWEEN 0.15 AND 0.20 MM FROM TERMINAL TIP.
 4. PACKAGE DIMENSIONS EXCLUSIVE OF BURRS AND MOLD FLASH.

| MILLIMETERS | | |
|-------------|----------|------|
| DIM | MIN | MAX |
| A | 0.45 | 0.55 |
| A1 | 0.00 | 0.05 |
| A3 | 0.13 REF | |
| b | 0.15 | 0.25 |
| D | 1.45 BSC | |
| E | 1.00 BSC | |
| e | 0.35 BSC | |
| L | 0.25 | 0.35 |
| L1 | 0.30 | 0.40 |

RECOMMENDED SOLDERING FOOTPRINT*



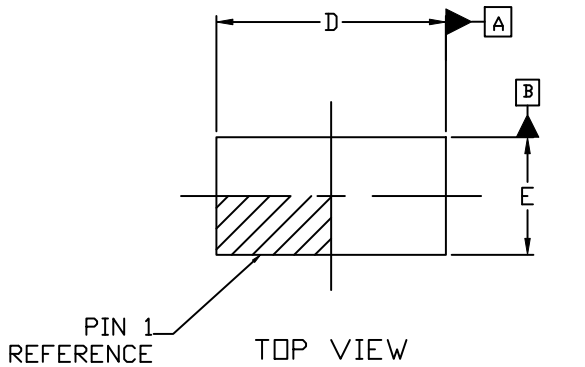
DIMENSIONS: MILLIMETERS

*For additional information on our Pb-Free strategy and soldering details, please download the **onsemi** Soldering and Mounting Techniques Reference Manual, SOLDERRM/D.

NL17SZ74

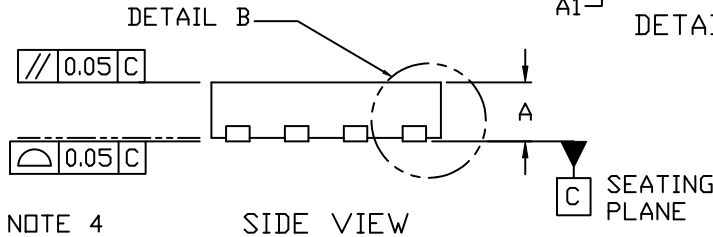
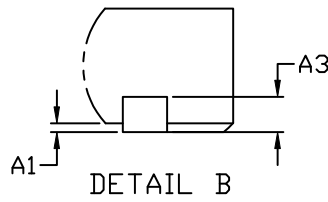
PACKAGE DIMENSIONS

UDFN8, 1.95x1.0, 0.5P
CASE 517CA
ISSUE A

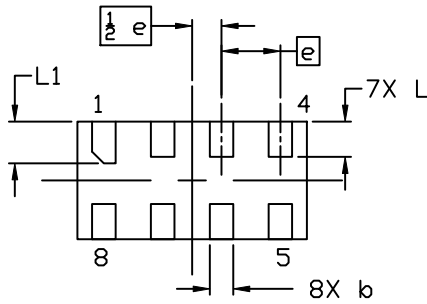


NOTES:

1. DIMENSIONING AND TOLERANCING PER ASME Y14.5M, 2009.
2. CONTROLLING DIMENSION: MILLIMETERS
3. DIMENSION b APPLIES TO PLATED TERMINAL AND IS MEASURED BETWEEN 0.15 AND 0.20 MM FROM THE TERMINAL TIP.
4. COPLANARITY APPLIES TO ALL THE TERMINALS.
5. PACKAGE DIMENSIONS EXCLUSIVE OF BURRS AND MOLD FLASH.

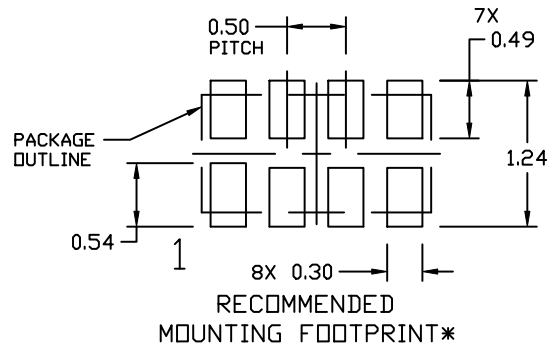


| DIM | MILLIMETERS | | |
|-----|-------------|------|------|
| | MIN. | NOM. | MAX. |
| A | 0.45 | 0.50 | 0.55 |
| A1 | 0.00 | --- | 0.05 |
| A3 | 0.13 REF | | |
| b | 0.15 | 0.20 | 0.25 |
| D | 1.85 | 1.95 | 2.05 |
| E | 0.90 | 1.00 | 1.10 |
| e | 0.50 BSC | | |
| L | 0.25 | 0.30 | 0.35 |
| L1 | 0.30 | 0.35 | 0.40 |



| | | | | |
|---|------|---|---|---|
| ⊕ | 0.10 | C | A | B |
| | 0.05 | C | | |

NOTE 3

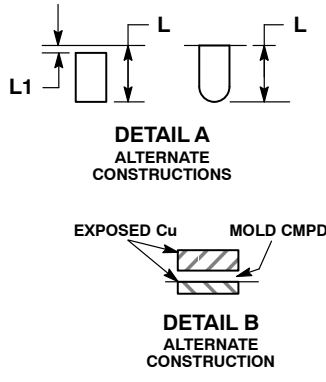
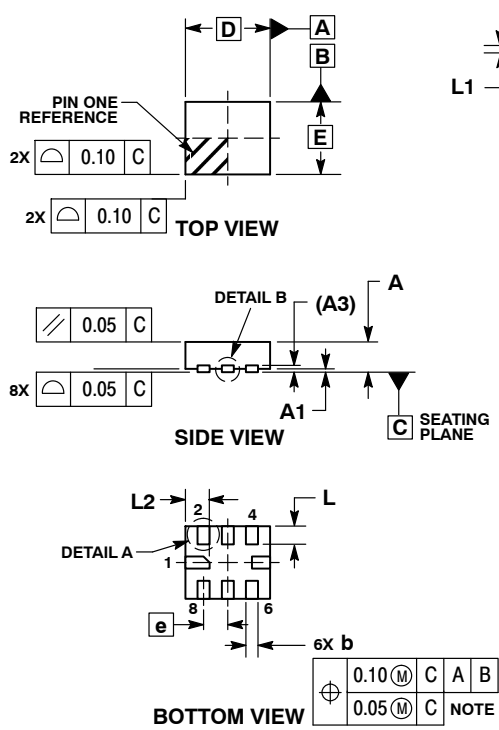


* For additional information on our Pb-Free strategy and soldering details, please download the ON Semiconductor Soldering and Mounting Techniques Reference Manual, SOLDERRM/D.

NL17SZ74

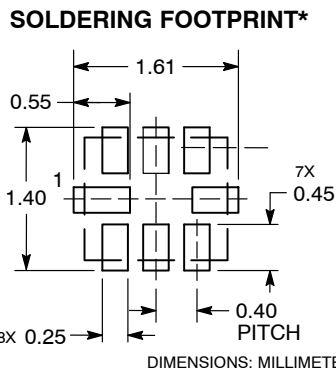
PACKAGE DIMENSIONS

UQFN8, 1.4x1.2, 0.4P
CASE 523AS
ISSUE A



- NOTES:
1. DIMENSIONING AND TOLERANCING PER ASME Y14.5M, 1994.
 2. CONTROLLING DIMENSION: MILLIMETERS.
 3. DIMENSION b APPLIES TO PLATED TERMINAL AND IS MEASURED BETWEEN 0.15 AND 0.25 mm FROM THE TERMINAL TIP.

| MILLIMETERS | | |
|-------------|------|------|
| DIM | MIN | MAX |
| A | 0.45 | 0.55 |
| A1 | 0.00 | 0.05 |
| A3 | 0.13 | REF |
| b | 0.15 | 0.25 |
| D | 1.40 | BSC |
| E | 1.20 | BSC |
| e | 0.40 | BSC |
| L | 0.20 | 0.40 |
| L1 | --- | 0.15 |
| L2 | 0.30 | 0.50 |

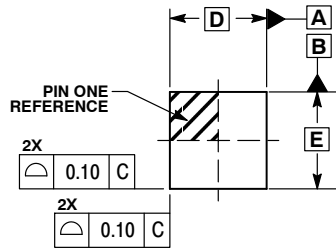


*For additional information on our Pb-Free strategy and soldering details, please download the **onsemi** Soldering and Mounting Techniques Reference Manual, SOLDERRM/D.

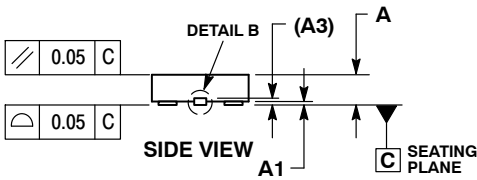
NL17SZ74

PACKAGE DIMENSIONS

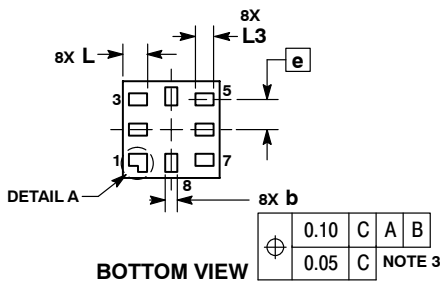
UQFN8, 1.6x1.6, 0.5P CASE 523AN ISSUE O



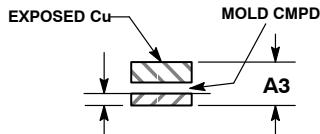
TOP VIEW



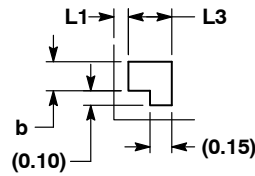
SIDE VIEW



BOTTOM VIEW



DETAIL B
OPTIONAL
CONSTRUCTION



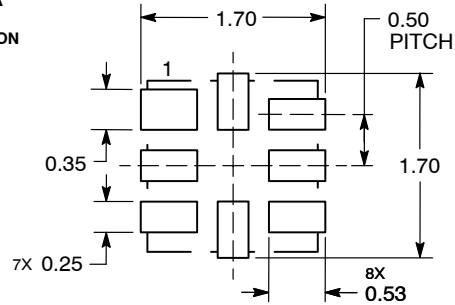
DETAIL A
OPTIONAL
CONSTRUCTION

NOTES:

1. DIMENSIONING AND TOLERANCING PER ASME Y14.5M, 1994.
2. CONTROLLING DIMENSION: MILLIMETERS.
3. DIMENSION b APPLIES TO PLATED TERMINAL AND IS MEASURED BETWEEN 0.15 AND 0.30 mm FROM THE TERMINAL TIP.

| MILLIMETERS | | |
|-------------|------|------|
| DIM | MIN | MAX |
| A | 0.45 | 0.60 |
| A1 | 0.00 | 0.05 |
| A3 | 0.13 | REF |
| b | 0.15 | 0.25 |
| D | 1.60 | BSC |
| E | 1.60 | BSC |
| e | 0.50 | BSC |
| L | 0.35 | 0.45 |
| L1 | --- | 0.15 |
| L3 | 0.25 | 0.35 |

SOLDERING FOOTPRINT*



DIMENSIONS: MILLIMETERS

*For additional information on our Pb-Free strategy and soldering details, please download the **onsemi** Soldering and Mounting Techniques Reference Manual, SOLDERRM/D.

onsemi, **Onsemi**, and other names, marks, and brands are registered and/or common law trademarks of Semiconductor Components Industries, LLC dba "onsemi" or its affiliates and/or subsidiaries in the United States and/or other countries. onsemi owns the rights to a number of patents, trademarks, copyrights, trade secrets, and other intellectual property. A listing of onsemi's product/patent coverage may be accessed at www.onsemi.com/site/pdf/Patent-Marking.pdf. onsemi reserves the right to make changes at any time to any products or information herein, without notice. The information herein is provided "as-is" and onsemi makes no warranty, representation or guarantee regarding the accuracy of the information, product features, availability, functionality, or suitability of its products for any particular purpose, nor does onsemi assume any liability arising out of the application or use of any product or circuit, and specifically disclaims any and all liability, including without limitation special, consequential or incidental damages. Buyer is responsible for its products and applications using onsemi products, including compliance with all laws, regulations and safety requirements or standards, regardless of any support or applications information provided by onsemi. "Typical" parameters which may be provided in onsemi data sheets and/or specifications can and do vary in different applications and actual performance may vary over time. All operating parameters, including "Typicals" must be validated for each customer application by customer's technical experts. onsemi does not convey any license under any of its intellectual property rights nor the rights of others. onsemi products are not designed, intended, or authorized for use as a critical component in life support systems or any FDA Class 3 medical devices or medical devices with a same or similar classification in a foreign jurisdiction or any devices intended for implantation in the human body. Should Buyer purchase or use onsemi products for any such unintended or unauthorized application, Buyer shall indemnify and hold onsemi and its officers, employees, subsidiaries, affiliates, and distributors harmless against all claims, costs, damages, and expenses, and reasonable attorney fees arising out of, directly or indirectly, any claim of personal injury or death associated with such unintended or unauthorized use, even if such claim alleges that onsemi was negligent regarding the design or manufacture of the part. onsemi is an Equal Opportunity/Affirmative Action Employer. This literature is subject to all applicable copyright laws and is not for resale in any manner.

PUBLICATION ORDERING INFORMATION

LITERATURE FULFILLMENT:
Email Requests to: orderlit@onsemi.com

onsemi Website: www.onsemi.com

TECHNICAL SUPPORT
North American Technical Support:
Voice Mail: 1 800-282-9855 Toll Free USA/Canada
Phone: 011 421 33 790 2910

Europe, Middle East and Africa Technical Support:
Phone: 00421 33 790 2910
For additional information, please contact your local Sales Representative

单击下面可查看定价，库存，交付和生命周期等信息

[>>ON Semiconductor\(安森美\)](#)