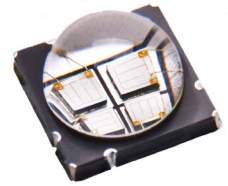


# LZ4-00DB0R

## LED ENGIN LuxiGen

Industry most robust high power ceramic package with glass lens for high performance over life.



## Applications

- Medical Illumination

## Features

- Package: Ceramic package with integrated glass lens
- Chip technology: UX:3
- Typ. Radiation: 120°
- Color:  $\lambda_{\text{peak}} = 460 \text{ nm}$  (• blue)

---

## Ordering Information

Type	Total radiant flux <sup>1)</sup> $I_F = 700 \text{ mA}$ $\Phi_E$	Ordering Code
LZ4-00DB0R-0000	2.4 ... 3.8 W	Q65113A0523

---

## Maximum Ratings

Parameter	Symbol		Values
Operating Temperature	$T_{op}$	min.	-40 °C
		max.	150 °C
Storage Temperature	$T_{stg}$	min.	-40 °C
		max.	150 °C
Junction Temperature <sup>2)</sup>	$T_j$	max.	150 °C
Forward Current <sup>2)</sup>	$I_F$	max.	1500 mA
Forward Current pulsed $t \leq 1 \text{ ms}$ ; $D \leq 0.1$ ; $T_C = 25 \text{ °C}$	$I_{F \text{ pulse}}$	max.	2500 mA
ESD withstand voltage acc. ANSI/ESDA/JEDEC JS-001 (HBM, Class 0)	$V_{ESD}$		ESD sensitive device
Reverse voltage <sup>3)</sup>	$V_R$		Not designed for reverse operation

## Characteristics

$I_F = 700 \text{ mA}$ ;  $T_C = 25 \text{ °C}$ ; all chips operated in series

Parameter	Symbol		Values
Total radiant flux <sup>4)</sup>	$\Phi_E$	typ.	3.2 W
Peak Wavelength <sup>5)</sup> $I_F = 700 \text{ mA}$	$\lambda_{\text{peak}}$	min. typ. max.	457 nm 460 nm 463 nm
Viewing angle at 50% $I_V$	$2\varphi$	typ.	115 °
Forward Voltage <sup>6)4)</sup> $I_F = 700 \text{ mA}$	$V_F$	min. typ. max.	11.20 V 13.90 V 15.20 V
Reverse current <sup>3)</sup>	$I_R$		Not designed for reverse operation
Electrical thermal resistance junction/case	$R_{\text{thJC elec.}}$	typ.	1.1 K / W

## Brightness Groups

all chips operated in series

Group	Total radiant flux <sup>1)</sup> $I_F = 700 \text{ mA}$ min. $\Phi_E$	Total radiant flux <sup>1)</sup> $I_F = 700 \text{ mA}$ max. $\Phi_E$
R	2.4 W	3.0 W
S	3.0 W	3.8 W

## Wavelength Groups

all chips operated in series

Group	Peak Wavelength <sup>5)</sup> $I_F = 700 \text{ mA}$ min. $\lambda_{\text{peak}}$	Peak Wavelength <sup>5)</sup> $I_F = 700 \text{ mA}$ max. $\lambda_{\text{peak}}$
D1	457 nm	463 nm

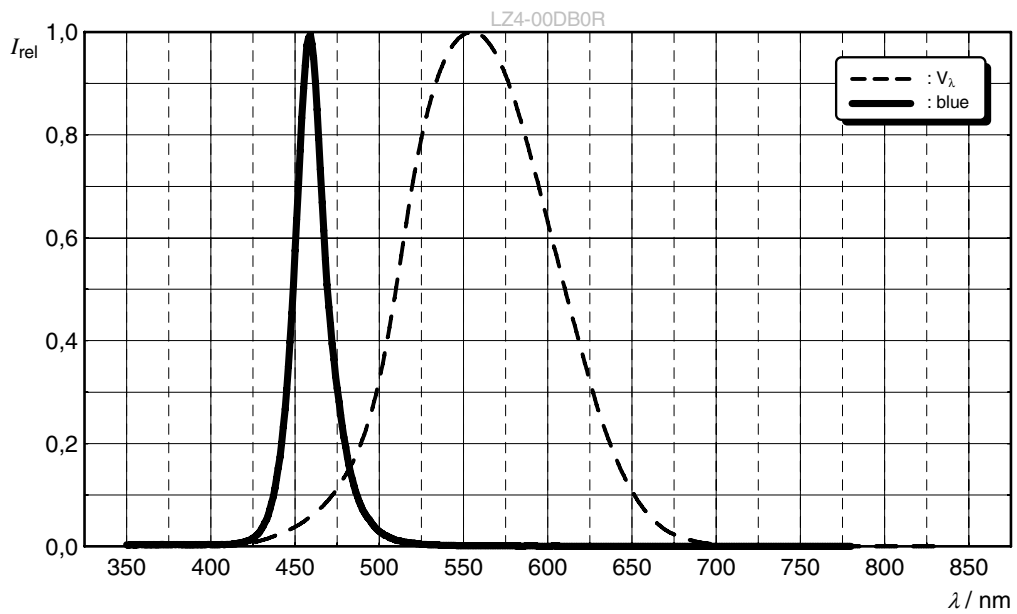
## Group Name on Label

### Example: R-D1

Brightness	Wavelength
R	D1

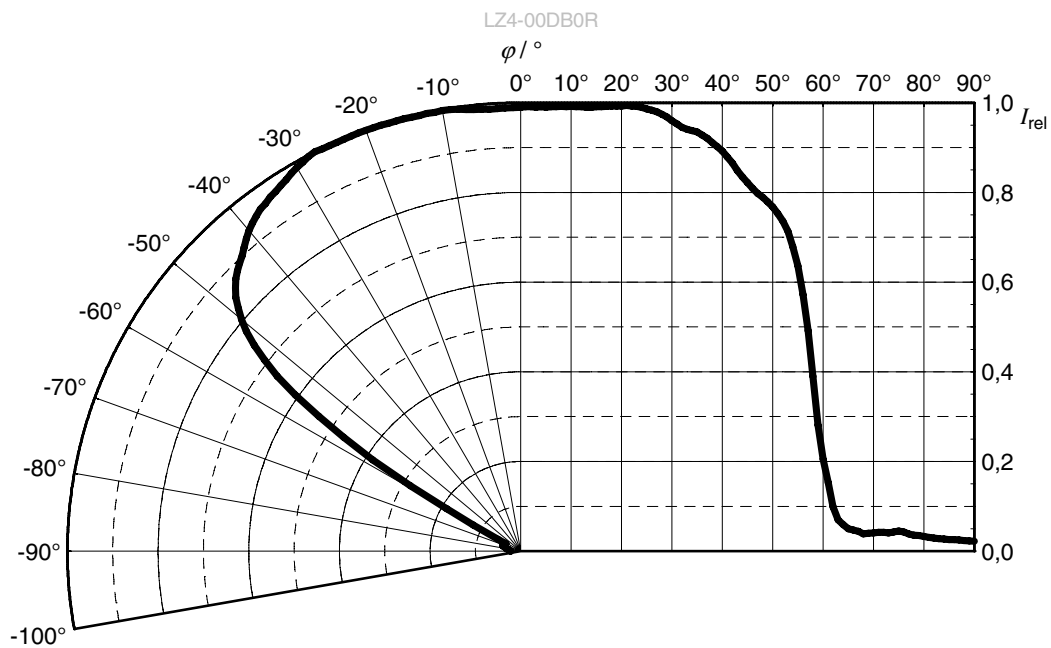
### Relative Spectral Emission <sup>4)</sup>

$I_{rel} = f(\lambda); I_F = 700 \text{ mA}; T_C = 25 \text{ }^\circ\text{C}$



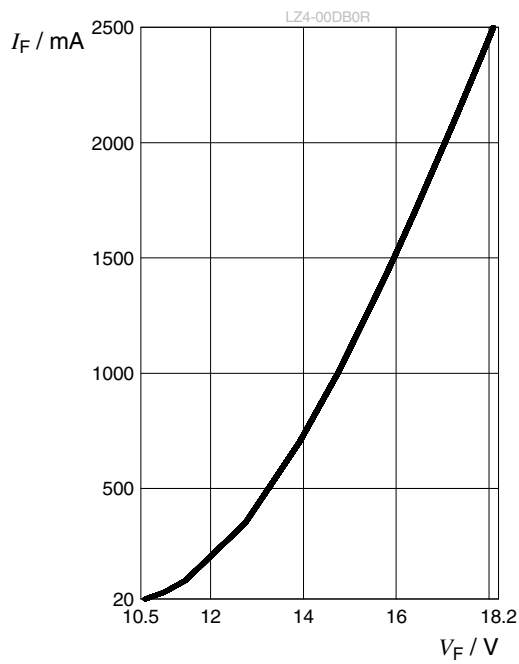
### Radiation Characteristics <sup>4)</sup>

$I_{rel} = f(\phi); T_C = 25 \text{ }^\circ\text{C}$



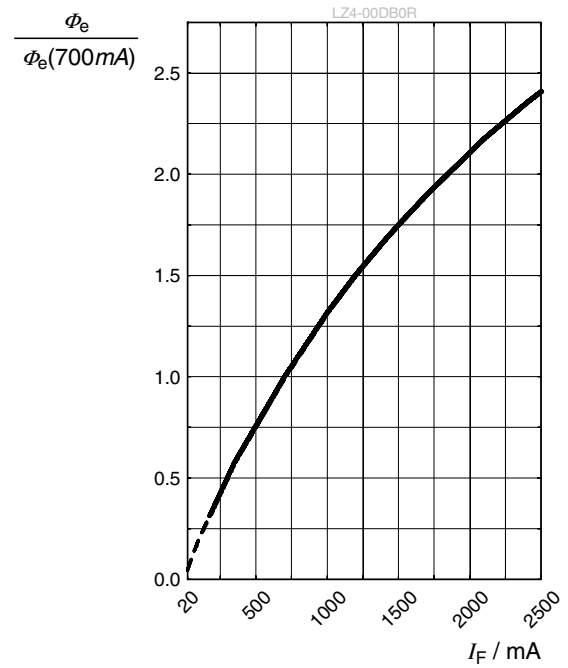
**Forward current** <sup>4)</sup>

$I_F = f(V_F); T_C = 25\text{ }^\circ\text{C}$

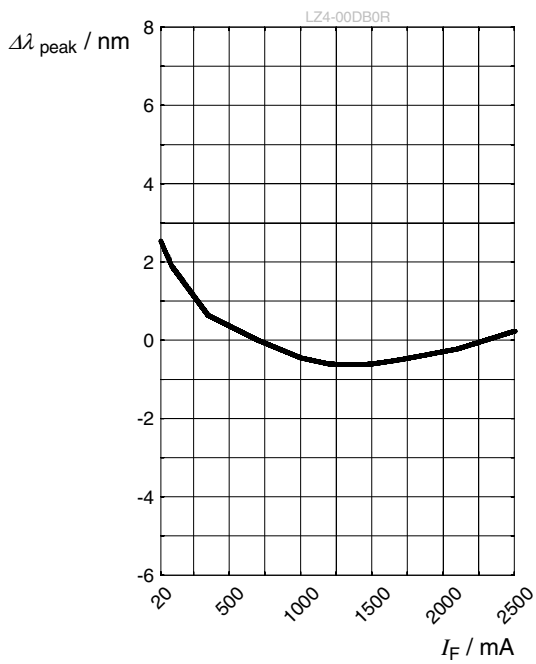


**Relative Radiant Power** <sup>4), 7)</sup>

$\Phi_E / \Phi_E(700\text{ mA}) = f(I_F); T_C = 25\text{ }^\circ\text{C}$

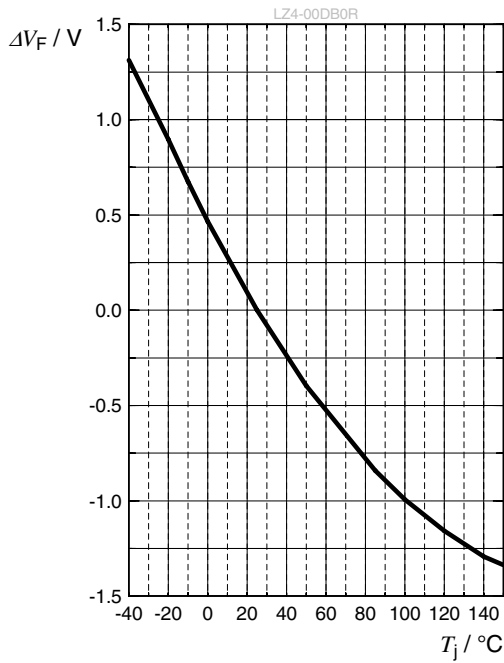


**Peak Wavelength** <sup>4)</sup>



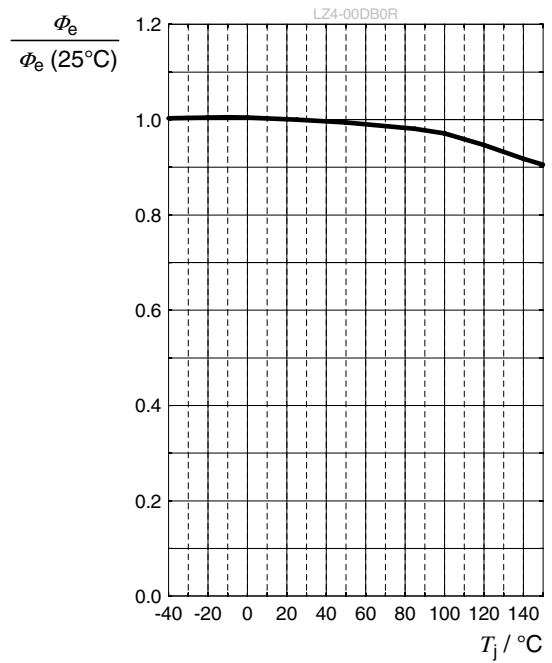
### Forward Voltage <sup>4)</sup>

$$\Delta V_F = V_F - V_F(25\text{ }^\circ\text{C}) = f(T_j); I_F = 700\text{ mA}$$

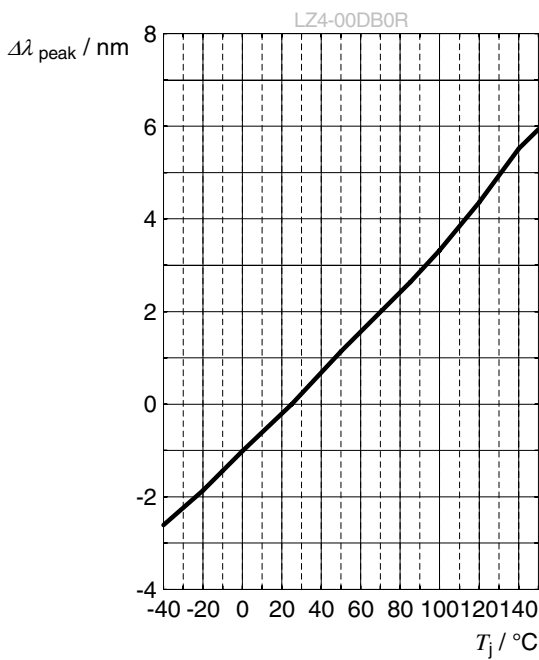


### Relative Radiant Power <sup>4)</sup>

$$\Phi_E / \Phi_E(25\text{ }^\circ\text{C}) = f(T_j); I_F = 700\text{ mA}$$



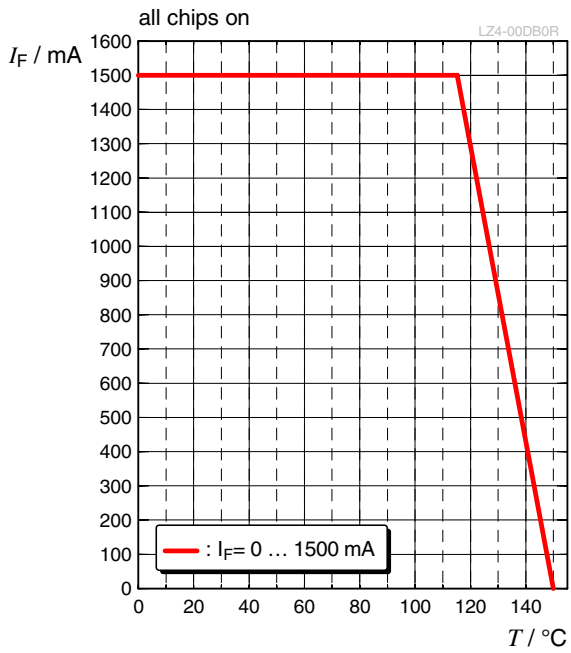
### Peak Wavelength <sup>4)</sup>





## Max. Permissible Forward Current

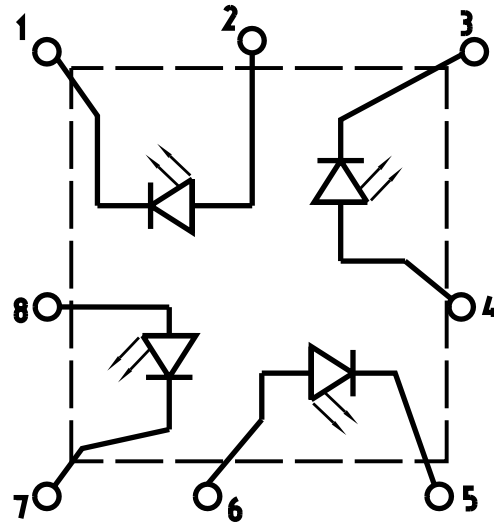
$$I_F = f(T)$$





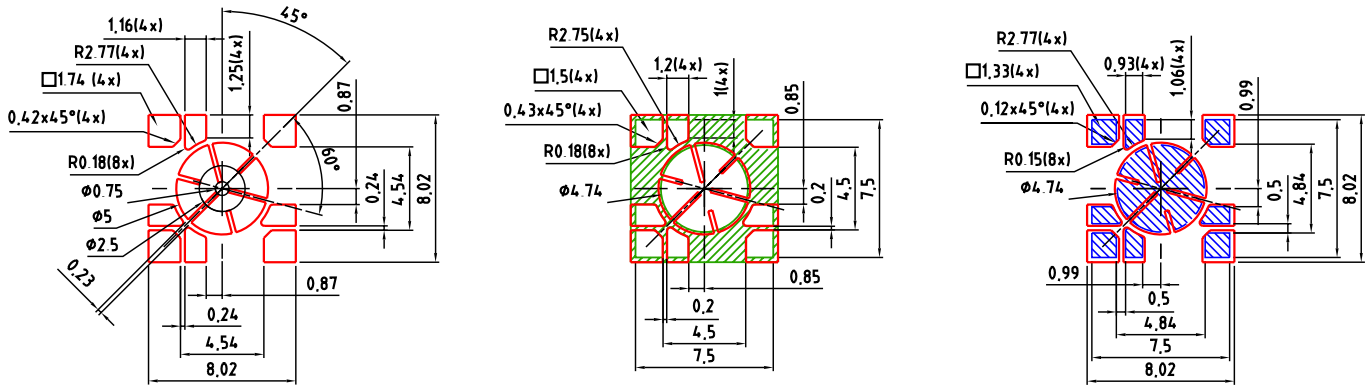
## Electrical Internal Circuit

Pin Out		
Pad	Die	Function
1	A	Cathode
2	A	Anode
3	B	Cathode
4	B	Anode
5	C	Cathode
6	C	Anode
7	D	Cathode
8	D	Anode
9	n/a	Thermal

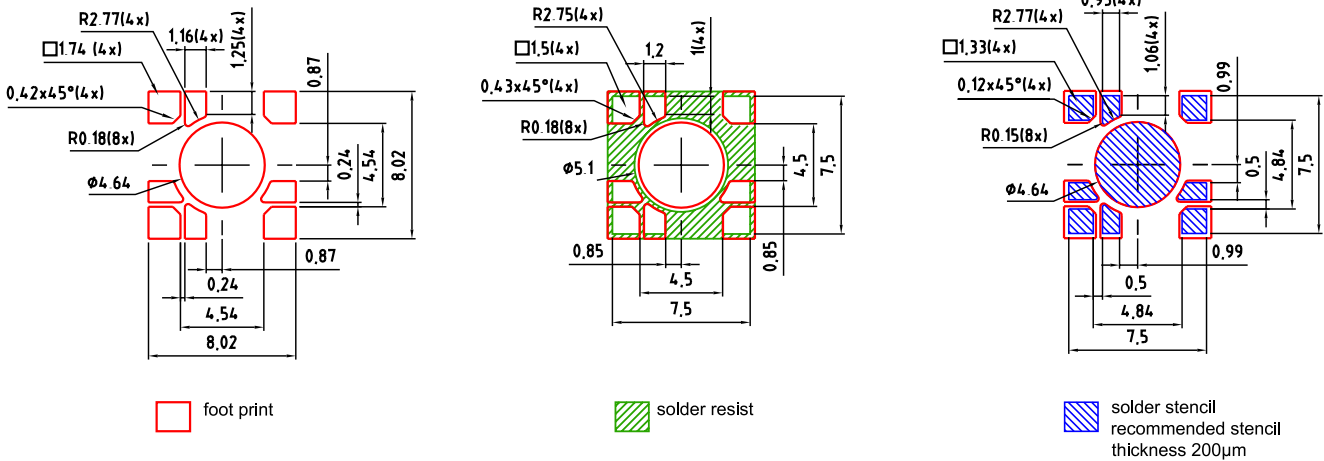


Recommended Solder Pad <sup>8)</sup>

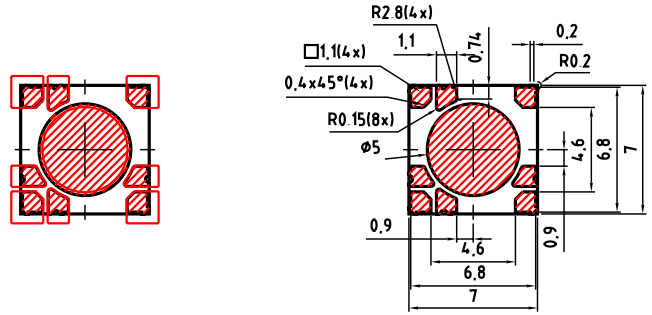
Non-pedestal MCPCB Design



Pedestal MCPCB Design



Component Location on Pad



E062.3010.291-01

1. For superior solder joint connectivity results we recommend soldering under standard nitrogen atmosphere.
2. Package not suitable for ultra sonic cleaning.
3. Pedestal MCPCB allows the emitter thermal slug to be soldered directly to the metal core of the MCPCB. Such MCPCB eliminate the high thermal resistance dielectric layer that standard MCPCB technologies use in between the emitter thermal slug and the metal core of the MCPCB, thus lowering the overall system thermal resistance.
4. X-ray sample monitoring for solder voids underneath the emitter thermal slug is recommended. The total area covered by solder voids should be less than 20% of the total emitter thermal slug area. Excessive solder voids will increase the emitter to MCPCB thermal resistance and may lead to higher failure rates due to thermal over stress.

## Reflow Soldering Profile

Product complies to MSL Level 1 acc. to JEDEC J-STD-020E

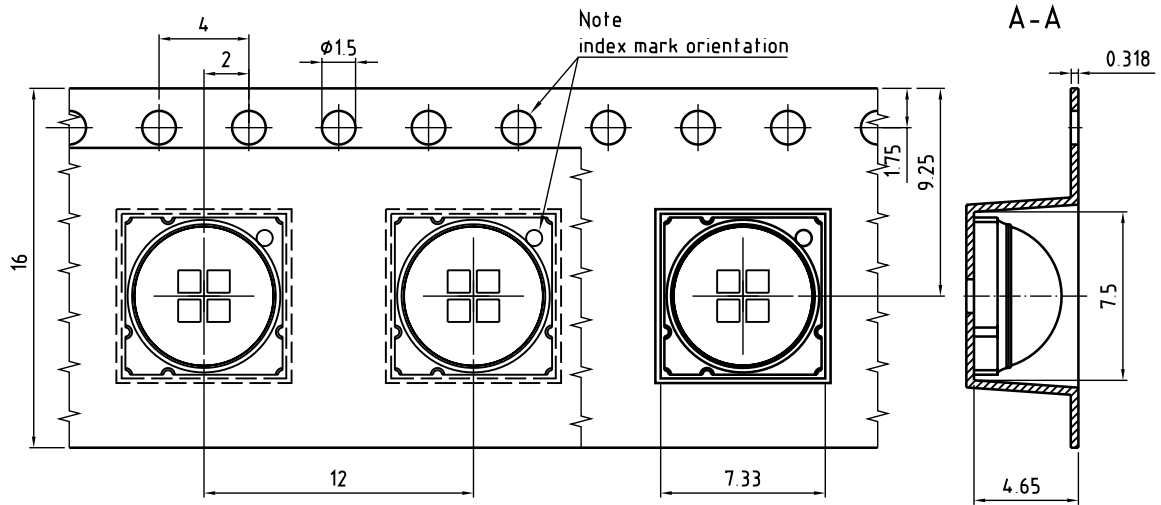


Profile Feature	Symbol	Pb-Free (SnAgCu) Assembly			Unit
		Minimum	Recommendation	Maximum	
Ramp-up rate to preheat <sup>*)</sup> 25 °C to 150 °C			2	3	K/s
Time $t_s$ $T_{Smin}$ to $T_{Smax}$	$t_s$	60	100	120	s
Ramp-up rate to peak <sup>*)</sup> $T_{Smax}$ to $T_p$			2	3	K/s
Liquidus temperature	$T_L$		217		°C
Time above liquidus temperature	$t_L$		80	100	s
Peak temperature	$T_p$		245	250	°C
Time within 5 °C of the specified peak temperature $T_p - 5$ K	$t_p$	10	20	30	s
Ramp-down rate* $T_p$ to 100 °C			3	4	K/s
Time 25 °C to $T_p$				480	s

All temperatures refer to the center of the package, measured on the top of the component

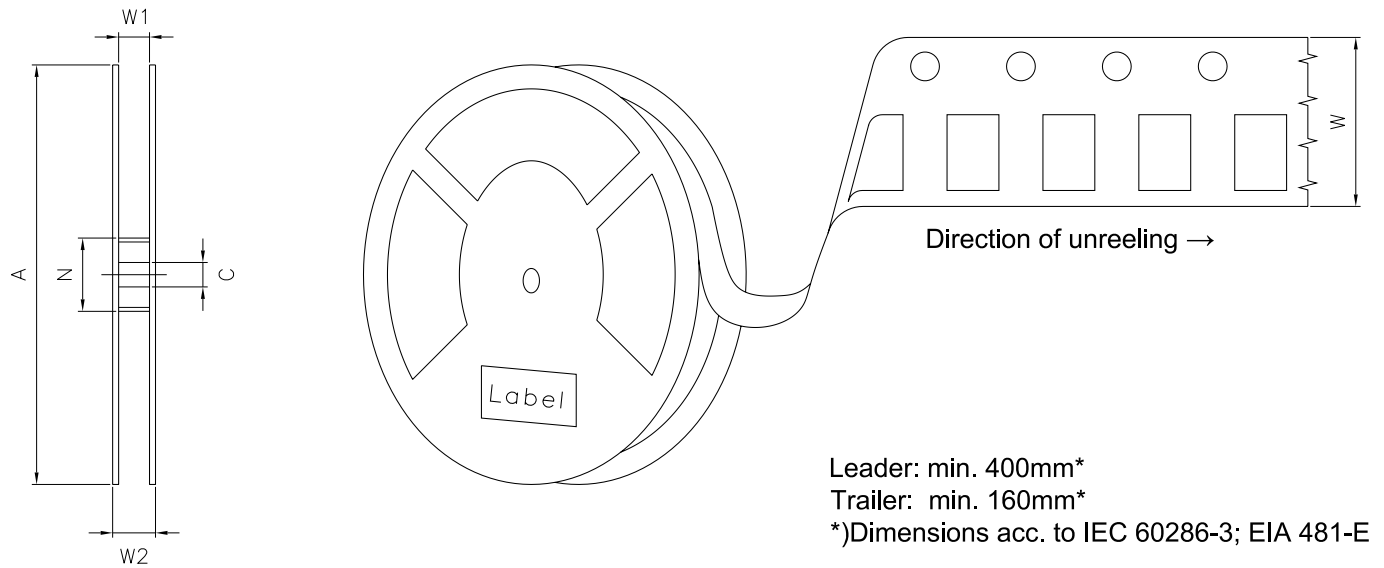
\* slope calculation  $DT/Dt$ :  $Dt$  max. 5 s; fulfillment for the whole T-range

Dimensional Drawing <sup>8)</sup>



C67062-A0364-B2-01


**Tape and Reel** <sup>9)</sup>



**Reel Dimensions**

A	W	N <sub>min</sub>	W <sub>1</sub>	W <sub>2 max</sub>	Pieces per PU
180 mm	16 + 0.3 / - 0.1 mm	60/100 mm	16.4 + 2 mm	22.4 mm	250

### Barcode-Product-Label (BPL)

**OSRAM**  
Opto Semiconductors  
Our Brand   
**LED ENGINE**

LXX-XXXXX BIN1: XXX-X-X-XXX  
XxxXxx BIN2: XXX-X-X-XXX  
RoHS Compliant BIN3: XX-X-X-XXX  
BIN4: XXX-XXX-X-XXX  
BIN5: X-XX-X-XXX  
BIN6: X-XX-X-XXX



(6P) Batch No: 1234567890 ML TEMP ST  
(1T) Lot No: 1234567890 X XXX° X

(X) Prod No: 12345678

(9D) D/C : 1234 Pack: RXX

(Q) Qty: 9999 B\_X123\_12345.1234

CoO: XX 001





## Notes

The evaluation of eye safety occurs according to the standard IEC 62471:2006 (photo biological safety of lamps and lamp systems). Within the risk grouping system of this IEC standard, the device specified in this data sheet fall into the class **moderate risk (exposure time 0.25 s)**. Under real circumstances (for exposure time, conditions of the eye pupils, observation distance), it is assumed that no endangerment to the eye exists from these devices. As a matter of principle, however, it should be mentioned that intense light sources have a high secondary exposure potential due to their blinding effect. When looking at bright light sources (e.g. headlights), temporary reduction in visual acuity and afterimages can occur, leading to irritation, annoyance, visual impairment, and even accidents, depending on the situation.

Subcomponents of this device contain, in addition to other substances, metal filled materials including silver. Metal filled materials can be affected by environments that contain traces of aggressive substances. Therefore, we recommend that customers minimize device exposure to aggressive substances during storage, production, and use. Devices that showed visible discoloration when tested using the described tests above did show no performance deviations within failure limits during the stated test duration. Respective failure limits are described in the IEC60810.

Tapes and reels are shipped in airtight bags in order to reduce the onset of silver tarnish. We recommend bags only be opened when ready to use emitters. Partially used reels or trays should be stored in airtight bags or in storage purged with nitrogen.

Based on very short life cycle times in chip technology this component is subject to frequent adaption to the latest chip technology.

Changes to the content of this datasheet may occur without further notification. JEDEC 46C constitutes the guideline of the change management for the device specified in this document.

For further application related information please visit [www.osram-os.com/appnotes](http://www.osram-os.com/appnotes)

## Disclaimer

### Attention please!

The information describes the type of component and shall not be considered as assured characteristics. Terms of delivery and rights to change design reserved. Due to technical requirements components may contain dangerous substances.

For information on the types in question please contact our Sales Organization.

If printed or downloaded, please find the latest version on the OSRAM OS website.

### Packing

Please use the recycling operators known to you. We can also help you – get in touch with your nearest sales office. By agreement we will take packing material back, if it is sorted. You must bear the costs of transport. For packing material that is returned to us unsorted or which we are not obliged to accept, we shall have to invoice you for any costs incurred.

### Product and functional safety devices/applications or medical devices/applications

OSRAM OS components are not developed, constructed or tested for the application as safety relevant component or for the application in medical devices.

OSRAM OS products are not qualified at module and system level for such application.

In case buyer – or customer supplied by buyer – considers using OSRAM OS components in product safety devices/applications or medical devices/applications, buyer and/or customer has to inform the local sales partner of OSRAM OS immediately and OSRAM OS and buyer and /or customer will analyze and coordinate the customer-specific request between OSRAM OS and buyer and/or customer.

---

## Glossary

- 1) **Brightness:** Brightness groups are tested at a current pulse duration of 10 ms and a tolerance of  $\pm 10\%$ .
- 2) **Operating Conditions:** Operating conditions according DC-derating (Max. Permissible Forward Current)
- 3) **Reverse Operation:** Not designed for reverse operation. Continuous reverse operation can cause migration and damage of the device.
- 4) **Typical Values:** Due to the special conditions of the manufacturing processes of semiconductor devices, the typical data or calculated correlations of technical parameters can only reflect statistical figures. These do not necessarily correspond to the actual parameters of each single product, which could differ from the typical data and calculated correlations or the typical characteristic line. If requested, e.g. because of technical improvements, these typ. data will be changed without any further notice.
- 5) **Peak Wavelength:** Wavelengths are tested at a current pulse duration of 10 ms and a tolerance of  $\pm 2$  nm.
- 6) **Forward Voltage:** Forward voltages are tested at a current pulse duration of 10 ms and a tolerance of  $\pm 0.1$  V.
- 7) **Characteristic curve:** In the range where the line of the graph is broken, you must expect higher differences between single devices within one packing unit.
- 8) **Tolerance of Measure:** Unless otherwise noted in drawing, tolerances are specified with  $\pm 0.1$  and dimensions are specified in mm.
- 9) **Tape and Reel:** All dimensions and tolerances are specified acc. IEC 60286-3 and specified in mm.

---

## Revision History

Version	Date	Change
1.1	2022-01-24	New Layout

---

Published by OSRAM Opto Semiconductors GmbH EU RoHS and China RoHS compliant product  
Leibnizstraße 4, D-93055 Regensburg  
www.osram-os.com □ All Rights Reserved.



此产品符合欧盟 RoHS 指令的要求；  
按照中国的相关法规和标准，不含有毒有害物质或元素。

单击下面可查看定价，库存，交付和生命周期等信息

[>>OSRAM\(欧司朗光电半导体\)](#)