

# 丸形

# Round Type

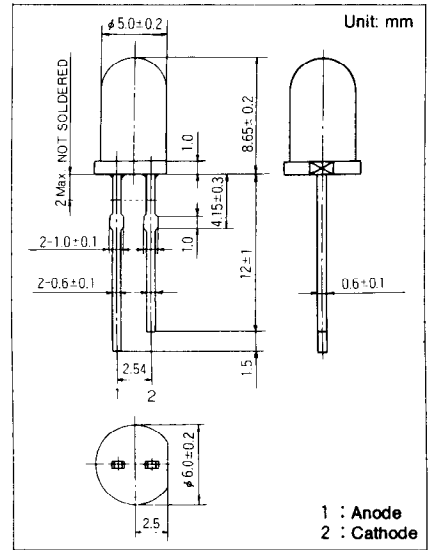
## φ 5.0mm Series

Type No.	Lighting Color
LN81RPHL	Orange
LN81RCPHL	Orange
LN81WPHL	Orange
LN81CPHL	Orange

### 絶対最大定格 Absolute Maximum Ratings (Ta=25 °C)

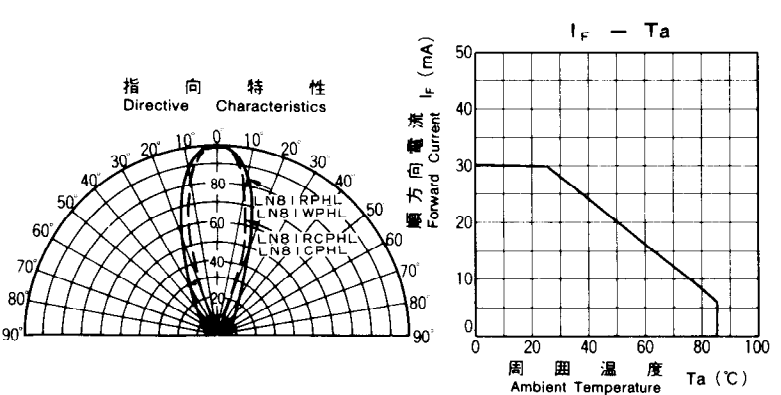
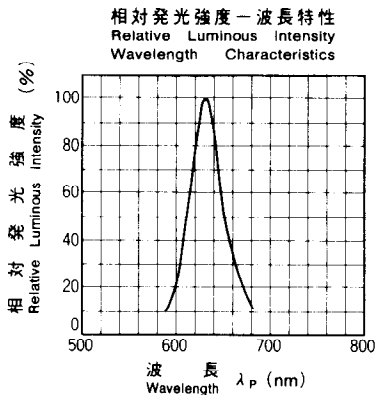
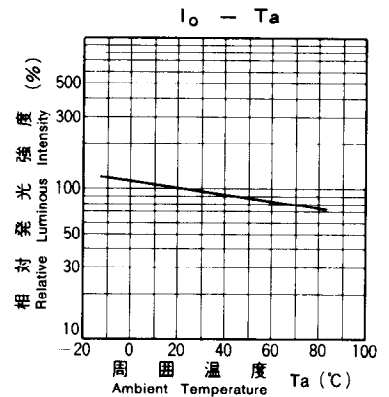
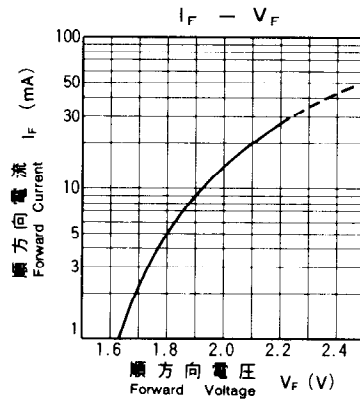
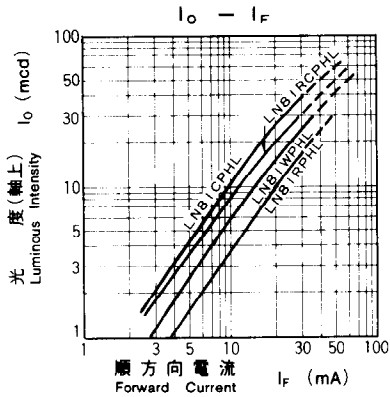
Lighting Color	P <sub>D</sub> (mW)	I <sub>F</sub> (mA)	I <sub>FP</sub> (mA)*	V <sub>R</sub> (V)	To <sub>pr</sub> (°C)	T <sub>stg</sub> (°C)
Orange	90	30	150	3	-25~+85	-30~+100

\* I<sub>FP</sub>の条件は、 duty 10%, Pulse width 1 msec. The condition of I<sub>FP</sub> is duty 10%, Pulse width 1 msec



### 電気的光学的特性 Electro-Optical Characteristics (Ta=25 °C)

Type No.	Lighting Color	Lens Color	I <sub>0</sub>			V <sub>F</sub>		λ <sub>P</sub>	Δλ	I <sub>R</sub>	V <sub>R</sub>	
			Typ.	Min.	I <sub>F</sub>	Typ.	Max.	Typ.	Typ.			
LN81RPHL	Orange	Red Diffused	10.0	5.0	20	2.1	2.8	630	40	20	10	3
LN81RCPHL	Orange	Red Clear	20.0	8.0	20	2.1	2.8	630	40	20	10	3
LN81WPHL	Orange	White Diffused	15.0	6.0	20	2.1	2.8	630	40	20	10	3
LN81CPHL	Orange	Clear	25.0	10.0	20	2.1	2.8	630	40	20	10	3
Unit	—	—	mcd	mcd	mA	V	V	nm	nm	mA	μA	V



单击下面可查看定价，库存，交付和生命周期等信息

[>>Panasonic\(松下\)](#)