

Regulations No.	KG3F6700/K	Total pages	Page
		13	1

# Product Specification

<b>3528 Package Size Type Chip LED</b>
<b>Type Number : LNJC24X4ARA</b>
<b>Panasonic Unified Parts Number : LNJC24X4ARA</b>

**Semiconductor Company,  
Panasonic Corporation**

Established by	Applied by	Checked by	Prepared by
<i>Y. Matsuyama</i>	Y. Matsuyama	T. Kitazono	A. Nakano

2011-04-05	
Established	Revised

	Product Specification	LNJC24X4ARA	
		Total pages	Page
		13	2

Table of contents

1. Product Summary .....	3
2. Absolute Maximum Ratings .....	3
3. Electrical-Optical Characteristics .....	3 ~ 4
4. Typical characteristic(Reference) .....	5 ~ 6
5. Outline .....	7
6. Recommended Land Layout .....	7
7. Recommended Soldering Conditions .....	8 ~ 9
8. Precautions for Application Design .....	10
9. Handling Instructions .....	11 ~ 12
10. Thermal Stress to Optical Device .....	13
11. Guarantee .....	13
12. Others .....	13

《Attached paper》

1. Packing Specification .....	1 ~ 5
2. Reliability Test Result .....	1

2011-04-05		
Established	Revised	

	<h1>Product Specification</h1>	<b>LNJC24X4ARA</b>	
		Total pages	Page
		13	3

■ **Product Summary**

Type	Ice-Blue Light Emitting Diode (3528 Package size Type Chip LED)
Application	Indicators
Material	InGaN on SiC

■ **Absolute Maximum Ratings**

Item	Symbol	Ratings	Unit	Remarks
Power dissipation	$P_D$	80	mW	
Forward current	$I_F$	20	mA	
Pulse forward current (Note1)	$I_{FP}$	70	mA	
Reverse voltage	$V_R$	5	V	
Operating ambient temperature	Topr	-40 ~ +100	°C	
Storage temperature	Tstg	-40 ~ +100	°C	

(Note1) The condition of  $I_{FP}$  is duty 10 %, pulse width 1 ms  
Please contact us for further information regarding special operating conditions such as  
 $I_F$ : less than DC = 1 mA  
 $I_{FP}$ : less than pulse width = 1 ms, duty = 10 %

■ **Electrical-Optical Characteristics** (Ta=25 °C±3 °C)

Item	Symbol	Condition	Min.	Typ.	Max.	Unit
Luminous intensity (Note2)	$I_o$	$I_F=10$ mA DC	100	230	390	mcd
Reverse current	$I_R$	$V_R=5$ V	—	—	100	μA
Forward voltage	$V_F$	$I_F=10$ mA DC	—	3.0	3.7	V
Chromaticity coordinates (Note3)	x	$I_F=10$ mA DC	0.122	0.175	0.234	—
	y	$I_F=10$ mA DC	0.182	0.245	0.305	—

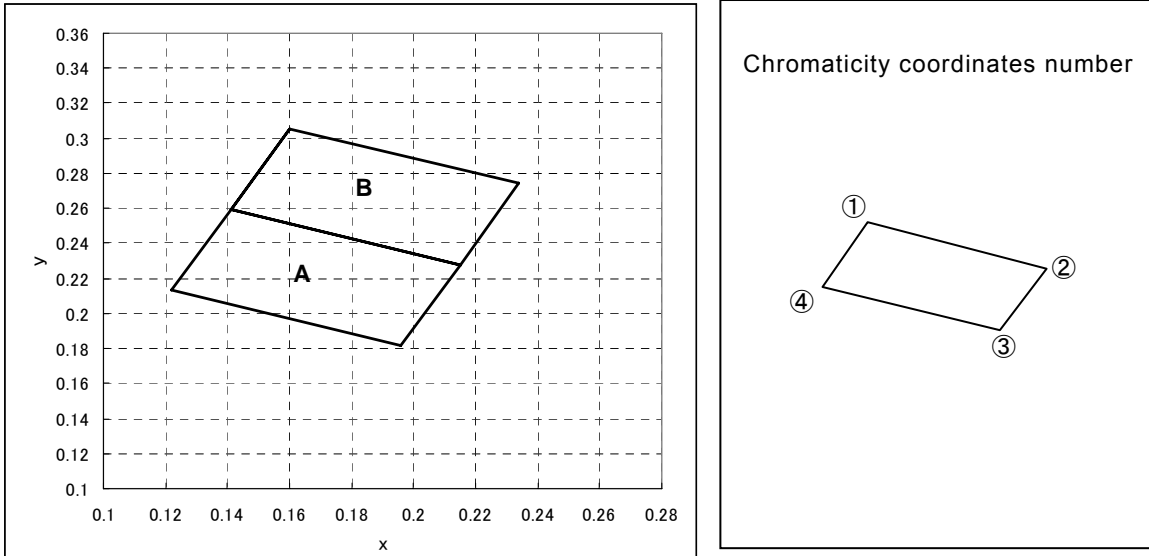
(Note2) Rank classification of luminous intensity. (Condition:  $I_F=10$  mA DC)

Rank	Luminous intensity	Unit
1	100 ~ 150	mcd
2	150 ~ 225	
3	225 ~ 300	
4	300 ~ 390	

- Measurement tolerance is ±15 %.
- Luminous intensity standard is equal to NIST.

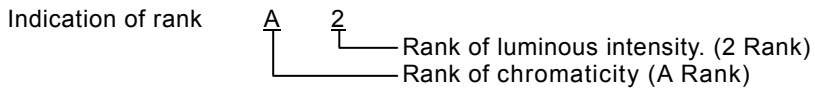
2011-04-05		
Established	Revised	

(Note3) Rank classification of chromaticity coordinates ( $I_F=10$  mA DC)



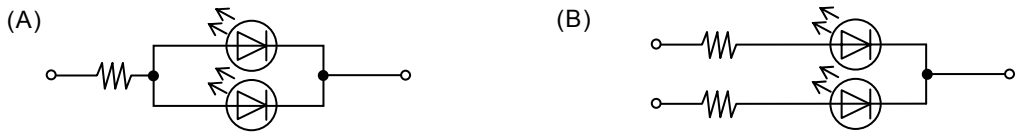
	A		B	
	x	y	x	y
①	0.141	0.259	0.160	0.305
②	0.215	0.228	0.234	0.274
③	0.196	0.182	0.215	0.228
④	0.122	0.213	0.141	0.259

- \* Change of chromaticity is caused by operating current, so be careful when handling it.
- \* We call the area which is composed by the above point's rank of chromaticity.
- \* Tolerance of chromaticity is  $\pm 0.01$ .
- \* We classify the LEDs according to the above rank. Rank can not be mixed within a reel.



(Note4) Be careful about the product destruction by static electricity.

(Note5) Precautions for circuit design of LED operation.



The brightness difference is thought by the influence of VF about the circuit of (A) and avoids using, please. Recommend the use of the circuit of (B).

2011-04-05		
Established	Revised	

# Product Specification

LNJC24X4ARA

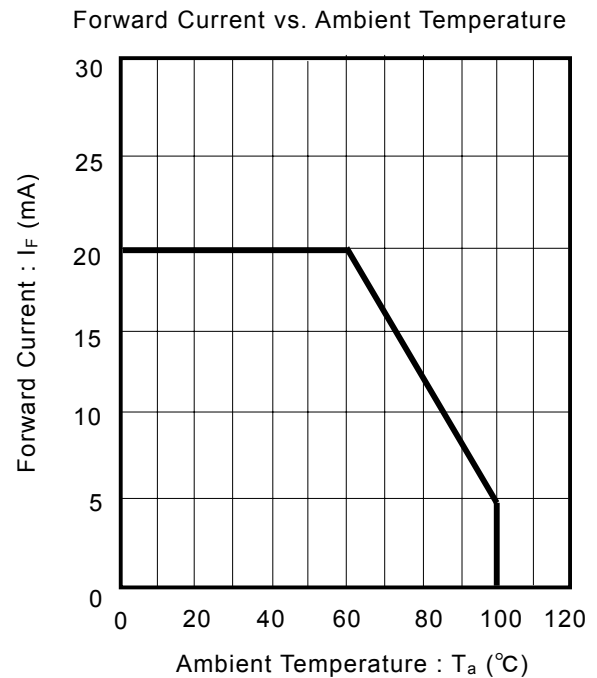
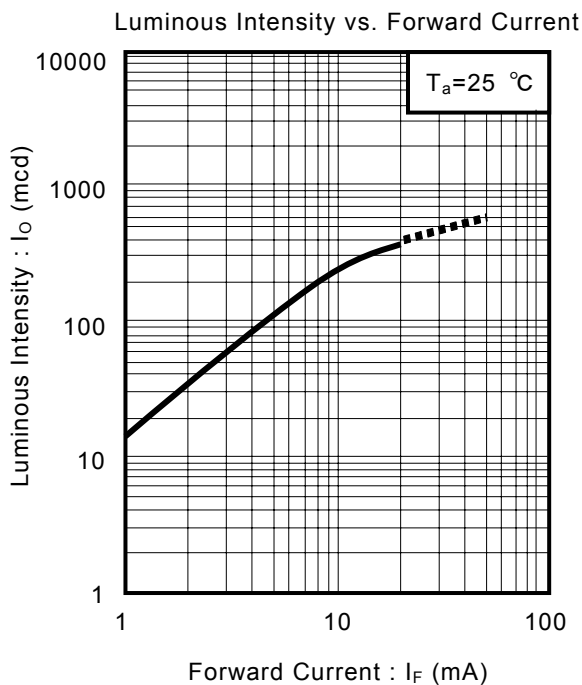
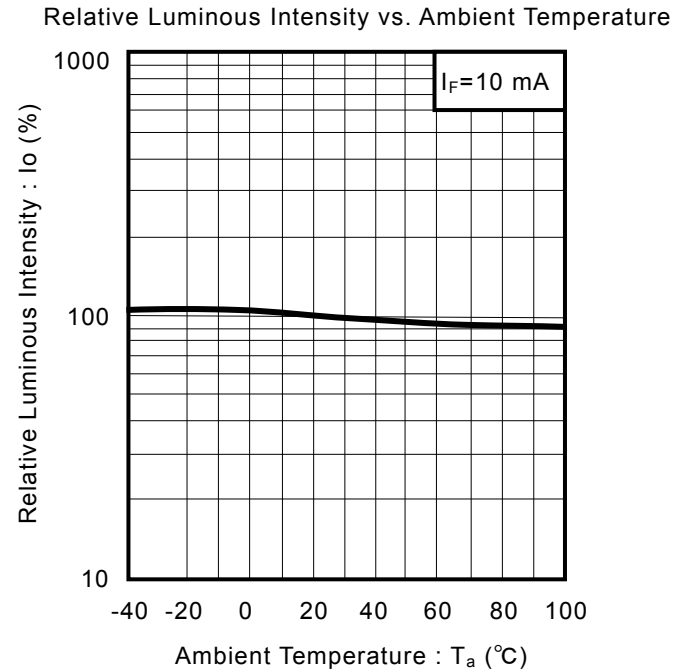
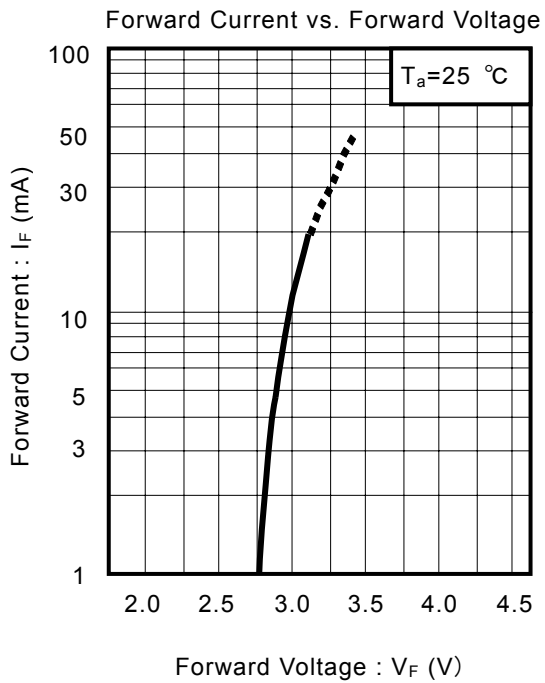
Total pages

Page

13

5

## ■ Typical characteristic(Reference)



※The description data of this page is a typical value.

2011-04-05

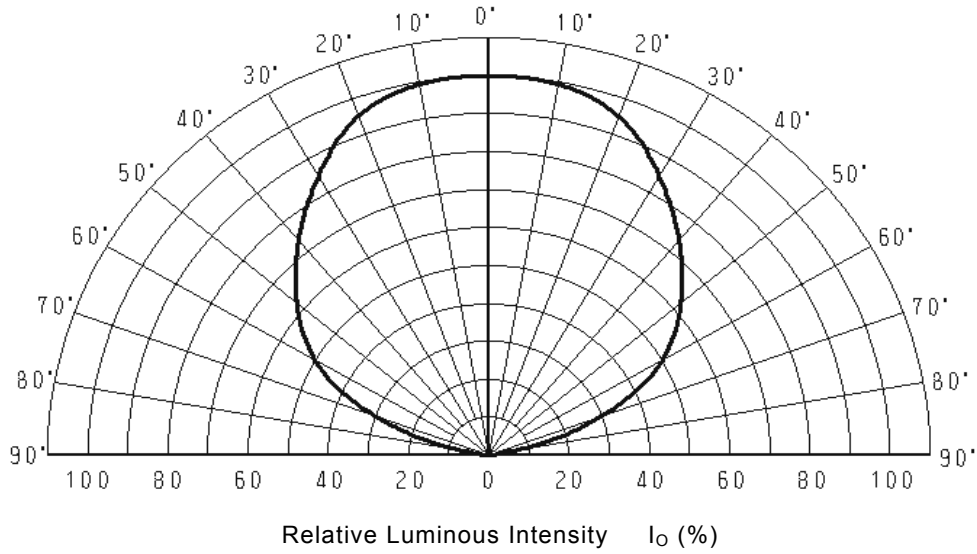
Established

Revised

Semiconductor Company, Panasonic Corporation

	Product Specification	LNJC24X4ARA	
		Total pages	Page
		13	6

Directive Characteristics



※The description data of this page is a typical value.

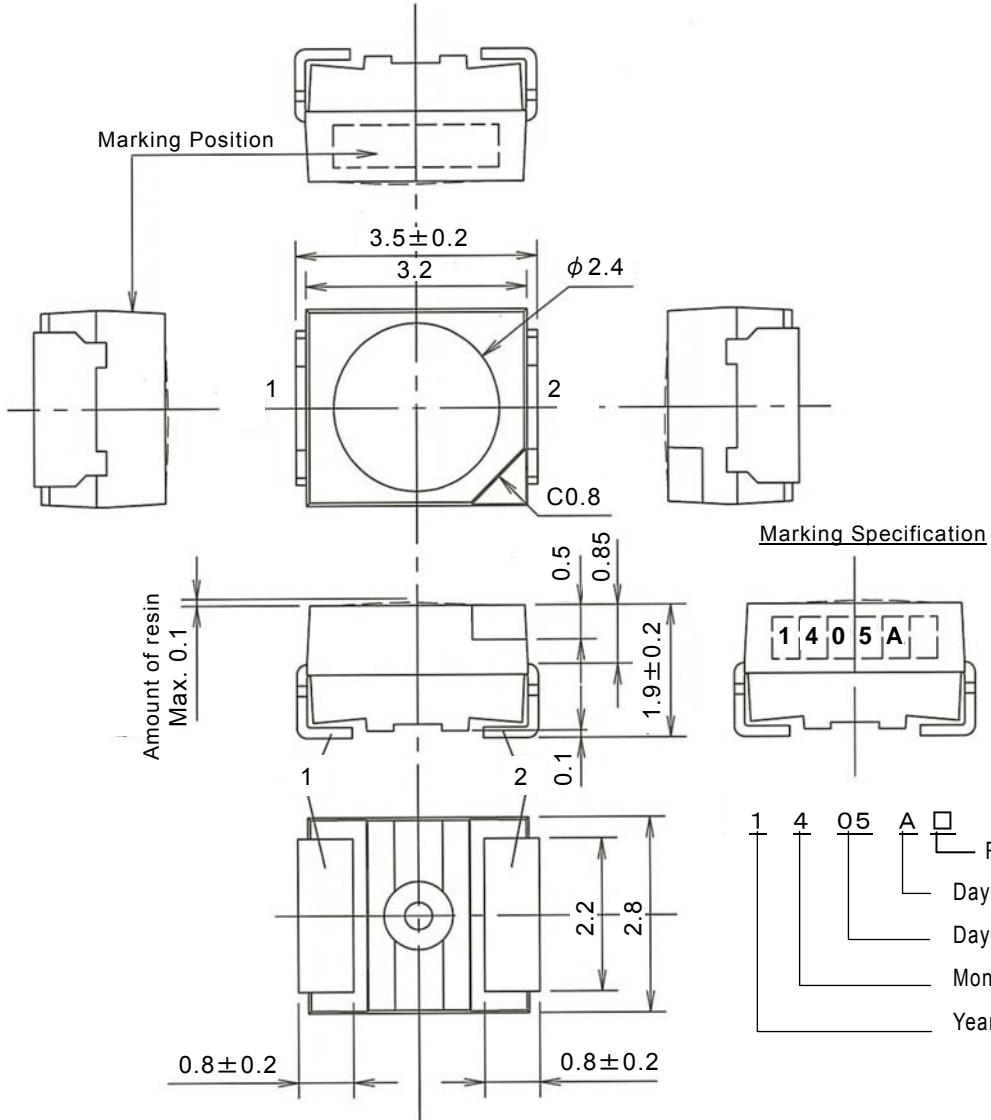
2011-04-05		
Established	Revised	

<h1>Product Specification</h1>		<b>LNJC24X4ARA</b>	
		Total pages	Page
		13	7

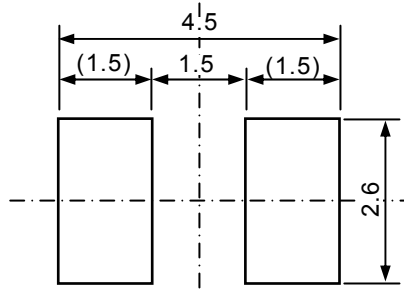
■ Outline

Polarity

Unit:mm



**Recommended Land Layout**



- 1. Anode
- 2. Cathode

(Note1) Tolerance unless specified: ±0.1 mm.  
 (Note2) ( ) A size is a reference.

2011-04-05		
Established	Revised	

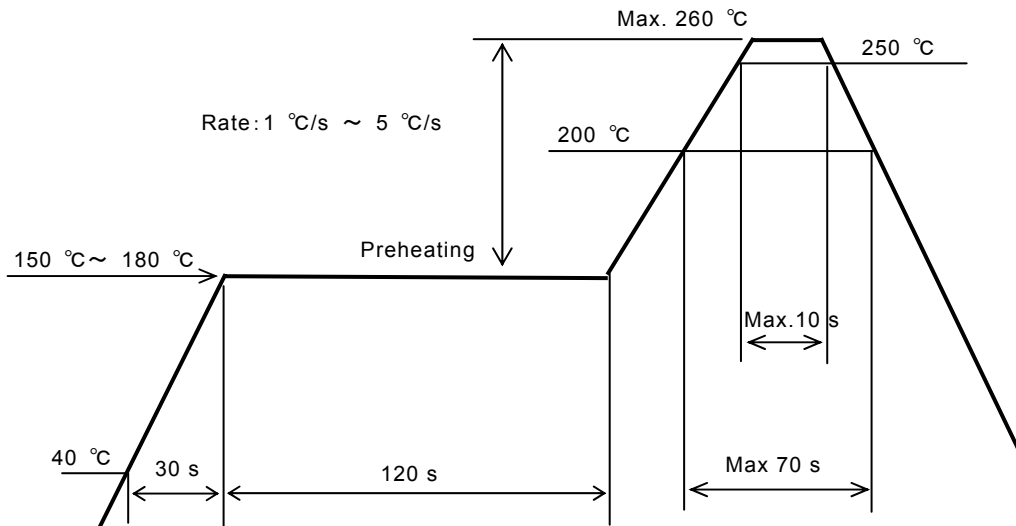
Product Specification		LNJC24X4ARA	
		Total pages	Page
		13	8

■ Recommended Soldering Conditions

1. The reflow soldering

1) The first time reflow soldering

Please use it on condition that the following.



\* This should be a profile on the print wiring board and FPC surface.

2) The second time reflow soldering (Up to the 2nd time)

In case of the second time reflow, please store the product 10 °C ~ 30 °C, 60 %RH and proceed the reflow soldering within 3 days after the first time reflow.

Follow the same condition as the first reflow.

2. Hand soldering

1) Basically keep the temperature on the edge of iron at 350 °C and apply within 3 s.

If the temperature is higher than the condition above, apply in a shorter time (1 s per 10 °C).

2) The iron equipped with temperature control circuit should be used.

3) Do not give a stress to lead or resin on soldering.

Especially do not let iron contact with them.

A LED chip will be damaged and broken by extreme stress.

4) Do not also give a stress to the device and bend of PC board adjusted right after manual soldering iron.

5) The LED which was removed from PC board should not be used again.

6) Please do not solder excluding the reflow soldering or the manual soldering iron.

2011-04-05		
Established	Revised	



	<h1>Product Specification</h1>	<b>LNJC24X4ARA</b>	
		Total pages	Page
		13	9

### 3. Automatic Mounting

These products are available for automatic mounting machines.

However, concerning demand on structure and performance of these devices, you should pay attentions to the followings below.

- 1) Though we've performed anti-static operation on these devices, static electricity can be frequently occurred in dry atmosphere and cause products to stick on the cover tapes. Please study to control humidity and to perform anti-static measure.
- 2) If a successful mounting is not secured on your systems, you may study the following subjects.

Inside diameter of tool	Especially for a round shaped tool, please choose the one not sticking out from the LED's lens area.
Shape of tool	For a particular tool ("asterisk" type etc.), which intends to incline due to its shape. Please study the location and the size of it.
Height of tool	Please set the height of the tool a little lower from top of the face of tape guide.
Position in absorption	Please adjust the absorb position as a center of device as possible.
Vibration in mounting	To reduce the vibration on mounting, please discuss taking necessary measures against optimization of mounting speed and tensions in winding and feeding tapes.
Pin push up system	Mind the pin position of the products prepared a pin-hole (by $\phi$ 0.5 mm) on the bottom of the embossed tape. "Pin push up system" is suitable only for products with a pin-hole but not for others.

2011-04-05		
Established	Revised	

	Product Specification	LNJC24X4ARA	
		Total pages	Page
		13	10

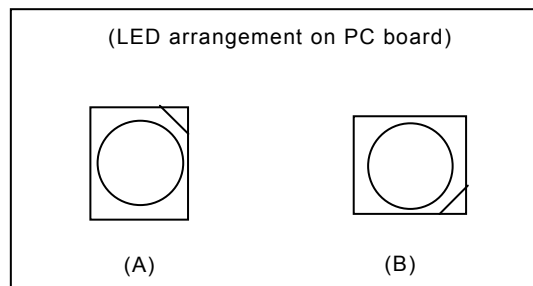
■ Precautions for Application Design

1. Connect the current control resistor in the circuit and operate products within rated range of use.
2. Avoid instant reverse voltage (over current) when turning ON/OFF the circuit.
3. Check a pattern dimension well before use.
4. Avoid using under environments as shown in the following.
  - A place where dust or corrosive gas is generated.
  - A place where dew drop is generated on the product surface (LED).
5. Avoid circuit design that the product (LED) can be heated by adjacent high power electrical heating element such as high power resistor or by high component density.
6. Mount the chip at right angles to the longitudinal direction of the PC board so that the stress on the product should be decreased.

(Notes)

We recommend the LED be placed on the PC board as shown in diagram A.

If the LED must be placed on the PC board as shown in diagram B, special care should be taken to insure that the LED is not affected by bend of the PC board after the soldering process.



2011-04-05		
Established	Revised	

	<h1>Product Specification</h1>	<b>LNJC24X4ARA</b>	
		Total pages	Page
		13	11

■ **Handling Instructions**

1. Storage

In order to avoid absorption of moisture during conveyance and storage of products, we are applying moisture-proof packaging by means of aluminum-laminated bags containing silica gel. Then, when absorption of moisture proceeds, the color of indicators in the silica gel changes, to which must be paid much attention.

After the aluminum-laminated bag is opened, absorption of moisture of the products proceeds quickly, which is likely to cause characteristic defects due to thermal stress generated during the re-flowing process in the worst case.

Therefore when these products are used, be sure to open the bags one by one to complete re-flowing quickly.

LED terminals, as being treated with Ag plating, may be changed in the surface quality and degraded in solderability when exposed to the following conditions.

Therefore, pay enough attention to the storage condition.

2. Conditions and Terms of Storage of Products

Please store products according to the following product conditions depending on the conditions of the products.

Conditions of Product	Conditions of Storage		
	Ambient Temperature	Temperature humidity	Term
When aluminum-laminated bag is not opened yet	10 °C ~ 30 °C	60 % or under	Within one year
When aluminum-laminated bag is opened	10 °C ~ 30 °C	60 % or under	Within 3 days
Up to the second time after the first reflowing	10 °C ~ 30 °C	60 % or under	Within 3 days

If the above-mentioned treatment was not made (including a case of discoloration of the silica gel indicator in the bag or similar), remove moisture by means of baking treatment or the like before use.

《Recommended Baking Conditions》

In a reel condition (as taken out of the aluminum-laminate bag)

Temperature: 60 °C. Time: More than 12 h and up to 24 h.

(However, the baking treatment is limited to one time only.)

(Note)

- The poor characteristic may generate on the products when a great deal of neglect time after the opening in your process.

Also under the products with taping, there is a possibility that the strength of cover tape peeling fluctuates and the mounting error occurs after baking.

Therefore, please take sufficient advance checks and control in your process.

Meanwhile, please note that we are not responsible for the problem occurred except in the condition above.

3. Washing

1) Do not wash the products in principle.

2) If washing is required by a reason of the set, be sure to make it after the products are mounted (after reflowing) according to the following conditions.

- Alcohol is recommended for cleaning.

Do not use a chlorine solvent, which may cause damage to the epoxy and product and deterioration of the products.

- As for ultrasonic cleaning, it may differently affect each of the mounting board, such as resonance. Sufficient checks on the ultrasonic cleaning is required for actual use.

- Avoid the use of brushing because it sometime damages light-emitting surfaces.

2011-04-05		
Established	Revised	

	Product Specification	LNJC24X4ARA	
		Total pages	Page
		13	12

4. Product strength

Resin is used as sealing material for light emitting diode on this product.

The molding resin may be peeled off with strong direct shocks in the resin part by reducing strength of the resin after heating.

So you should pay attention to keep products from shocking on resin side, especially during soldering process and using soldering irons.

And after soldering process, please avoid shocking directly on resin side, such as in the following cases, handling PCB's, piling them up and putting them in magazines.

Especially small type chip LEDs should be carefully handled.

5. Static electricity

This LED is sensitive to static electricity and care should be fully taken in handing it.

In the event that the voltage greater than absolute maximum rating is applied, which will damage LEDs.

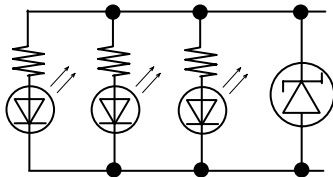
Please take necessary measures against Static electricity and serge in building LED assembly line and in handling LED in mid-flow of the process.

\* Please take the following measures such that the voltage and surge voltage more than an element resisting pressure level will not be applied.

1) Check the entire drive circuit including the power source.

As a check example, a surge current generated at power-on/off should be checked not to exceed the absolute maximum ratings of the LED.

Please also insert an appropriate protective circuit into the LED driver circuit.



·As shown in the figure, in order to protect LED, it is recommended to use a Zener diode.

2) Beware of destruction by static electricity in handling LEDs.

As proactive measures against static electricity, it is effective to earth your body (via 1 MΩ), spread conductive mat on the floor, wear semi conductive work uniform and shoes and use semi conductive containers.

Also, be sure to earth the nose of a soldering iron.

It is recommended to use an ionizer in the facility or the environment where static electricity may be generated easily.

2011-04-05		
Established	Revised	

	<h1>Product Specification</h1>	<b>LNJC24X4ARA</b>	
		Total pages	Page
		13	13

**■ Thermal Stress to Optical Device**

Since light transmissivity is important for the package resin of optical devices (LED's, photodiodes, photo ICs, Photosensors, photocouplers), it is necessary for resin to contain additives in it. For this reason, it has a lower thermal deformation temperature, compared with the package resin for ICs, LSI's and so on and is in the vicinity of the maximum storage temperature. Unless it is designed under the operating conditions, taking into an operating current and ambient conditions into account, the optical devices may be destroyed due to thermal stress caused to the operating optical devices and this may cause lower light output and disconnection.

**■ Guarantee**

The warranty will be valid only within the reliability test results or the items and terms of the reliability assurance standard.

It is also limited to that of the delivered product itself and we are not responsible for the labor cost for replacement work, compensation for loss and the like.

The following cases are onerous since they are out of our guarantee even during the guarantee period:

- Troubles resulting from careless handling or erroneous use.
- Troubles resulting from unreasonable repair or improvement.
- Troubles resulting from irresistible force such as natural disasters.

Should there be any doubt, we will verify it to clarify the cause in the presence of both parties in principle and take a proper action.

**■ Others**

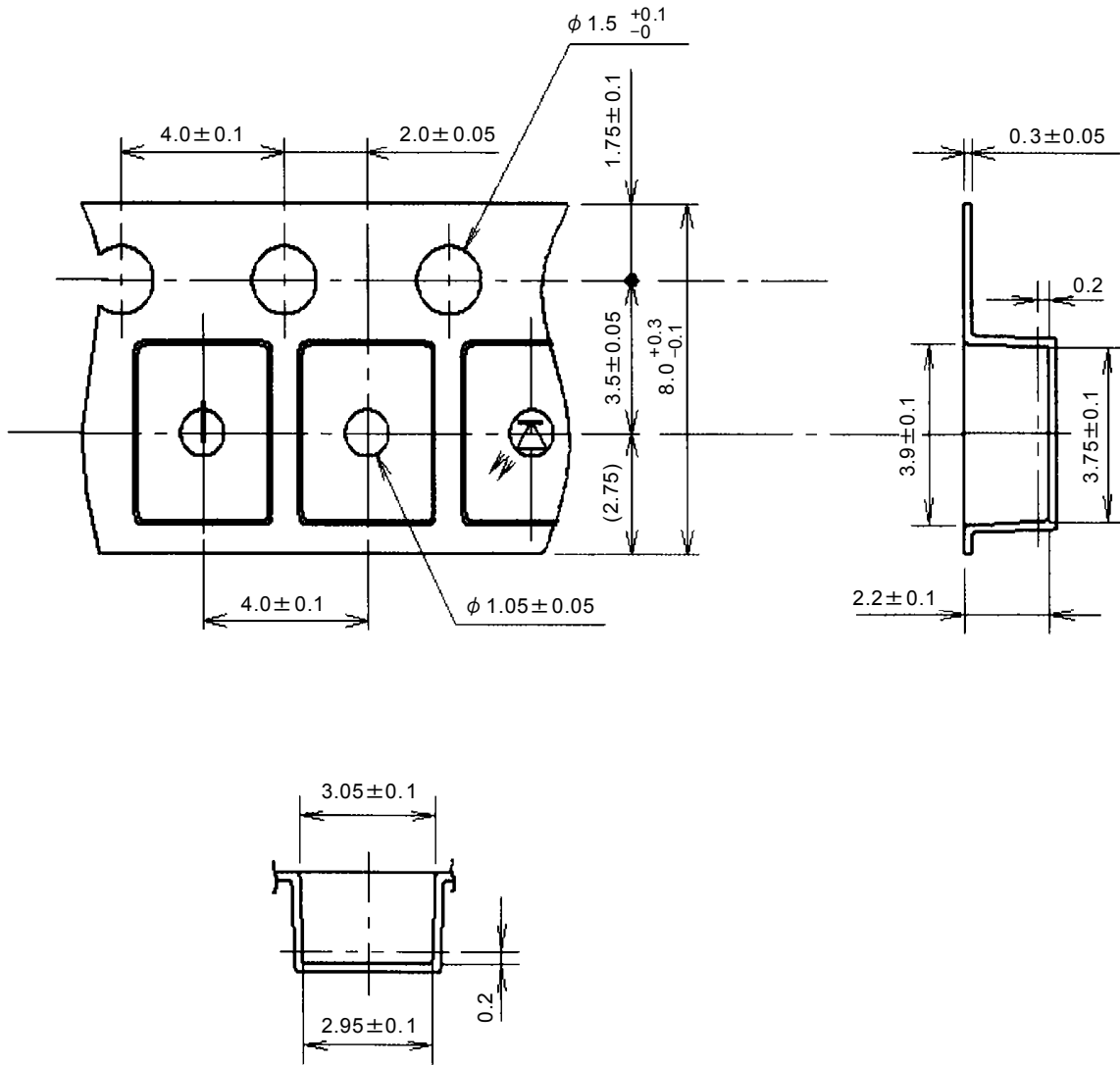
- 1) For matters on quality agreed between you and as those mentioned in these delivery specifications only are valid basically and matters decided between you and us before the receipt of these specifications become invalid unless they are mentioned in these specifications.  
But, if any inadequacy is present, we are ready for a discussion with you to settle the matter.  
In case any modification is required after the receipt of those specifications, only matters agreed by you and us are valid.
- 2) For a special application or question, contact us before the fact and without delay.
- 3) Though we will deliver the products for which we guarantee the matters on quality mentioned in these specifications, please investigate on your side the incorporation into actual sets, duration under actual working conditions and other matters on quality of the products sufficiently.
- 4) If these delivery specifications are not returned to us within two weeks after the issue, we regard them as received, which please understand.
- 5) For the doubts or necessity of change in this specification, mutual discussion will be made for the solution
- 6) The specifications will be changed after prior discussion.
- 7) UL Standard  
UL standard is not acquired since optical characteristics of epoxy resin is superior.
- 8) This product is RoHS-free supported.

2011-04-05		
Established	Revised	

Packing Specification		LNJC24X4ARA	
		Total pages	Page
		5	1

■ Embossed tapping specifications

Unit:mm



(Note1) Unless specified R of the corner is Max. 0.3 mm.

(Note2) Allowance of accumulated pitch of feeding holes is  $\pm 0.2$  mm per 10 pitches.

(Note3) Tolerance unless specified is  $\pm 0.1$  mm.

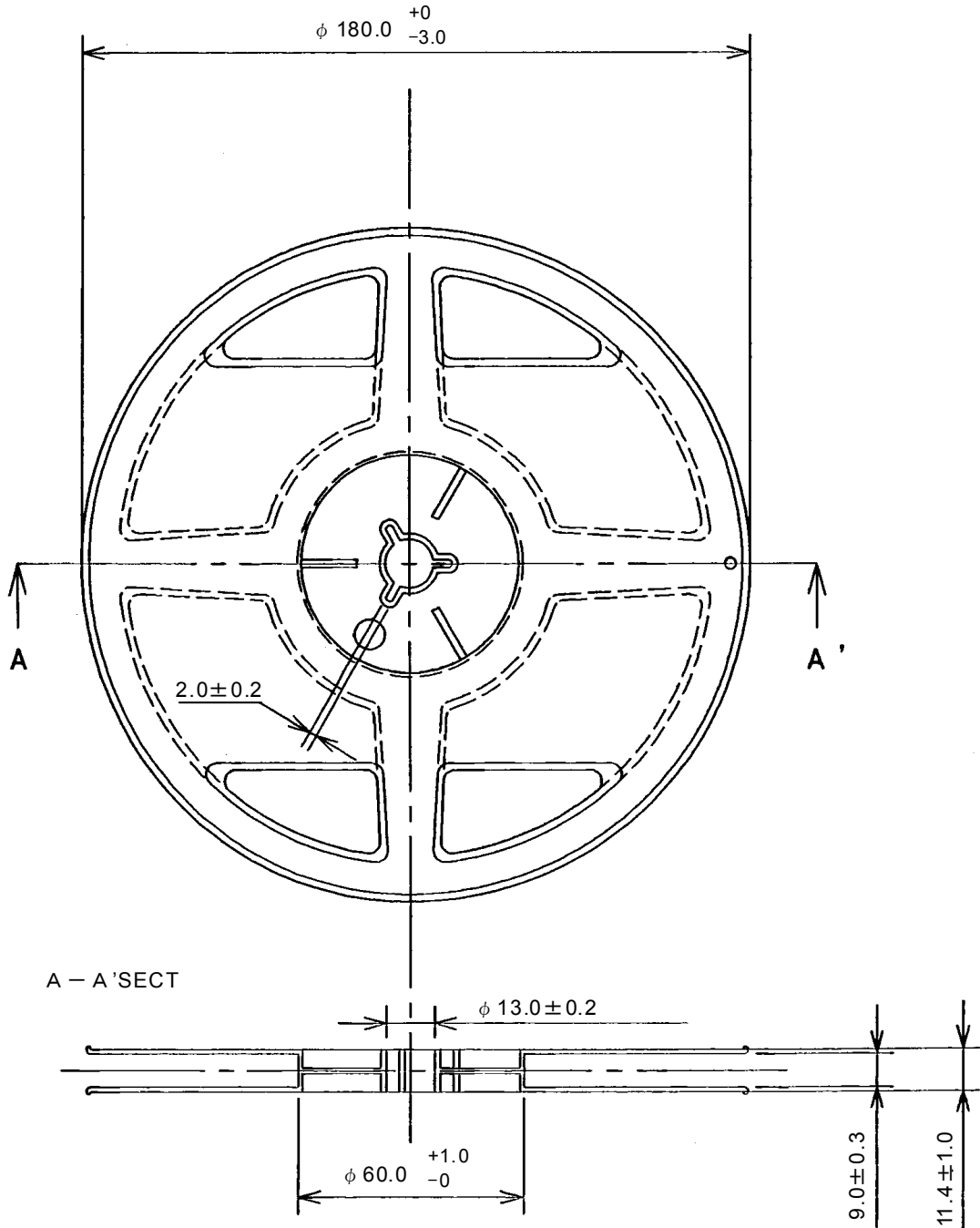
2011-04-05		
Established	Revised	

Semiconductor Company, Panasonic Corporation

	Packing Specification	LNJC24X4ARA	
		Total pages	Page
		5	2

■ Reel Specification

Unit:mm



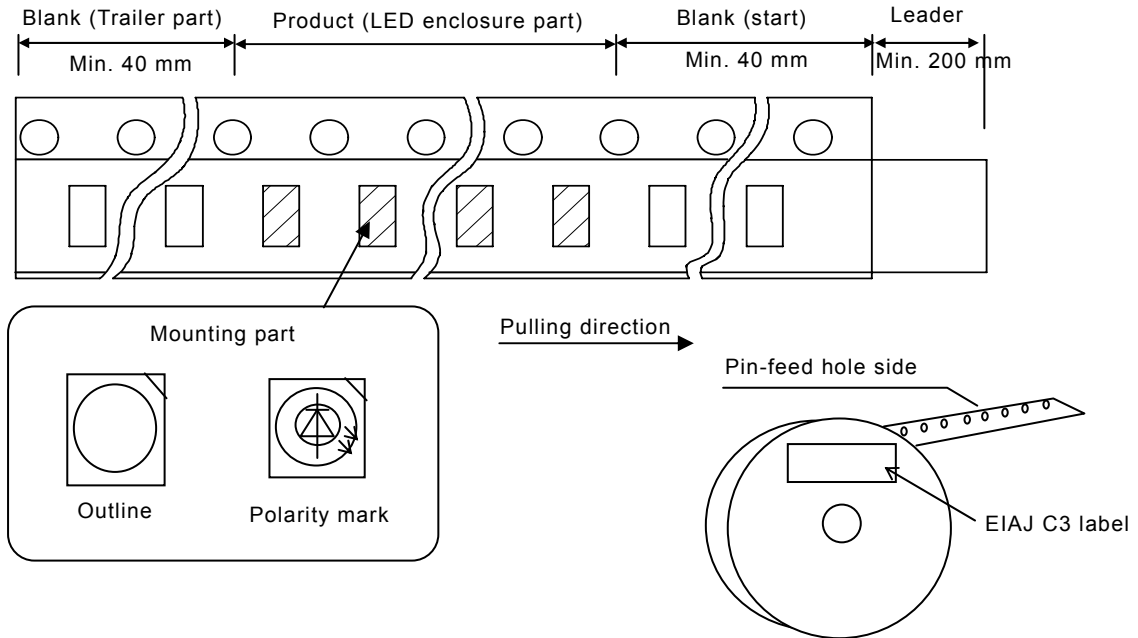
(Note1) This part is the application of JEITA ETX-7001.

2011-04-05		
Established	Revised	

Semiconductor Company, Panasonic Corporation

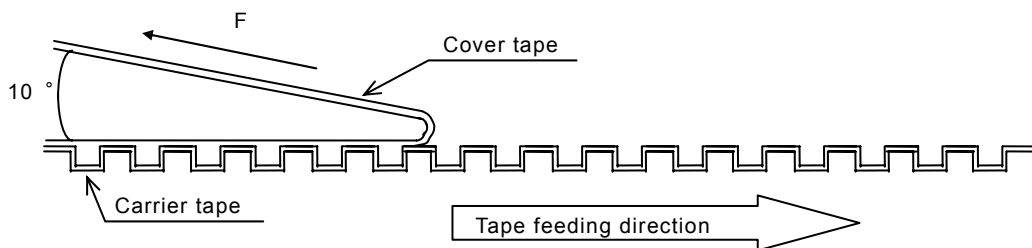
<h1>Packing Specification</h1>		<b>LNJC24X4ARA</b>	
		Total pages	Page
		5	3

■ Taping specifications



1. Pin-feed holes should be on the left side on the tape in the pulling direction.
2. Chip LED taping direction.  
Refer to the above Figure.
3. The leader part is saved as cover tape, which should be 200 mm or longer.
4. Keep more than 10 emboss blanks both at front and end of the taping.

■ Mechanical strength and treatment



1. Exfoliation strength of the cover tape should be 0.2 N ~ 0.7 N.
2. Tape bending strength  
Tape should not be deformed by bending with a radius of 15 mm.
3. Percentage defective of enclosed  
The product which was enclosed in reverse direction or with back side up should be counted as 0 piece/reel.  
The number of dropped parts should be 0.1 % of entire number of parts or 1 piece, whichever larger.  
There should be no continuous dropping however total number has to remain intact.
4. There should be no tape joint.

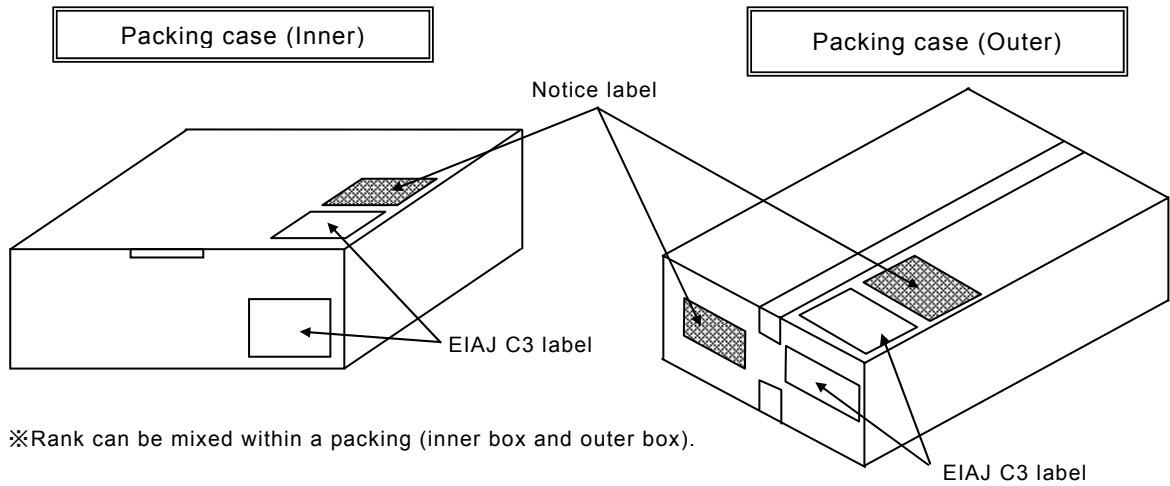
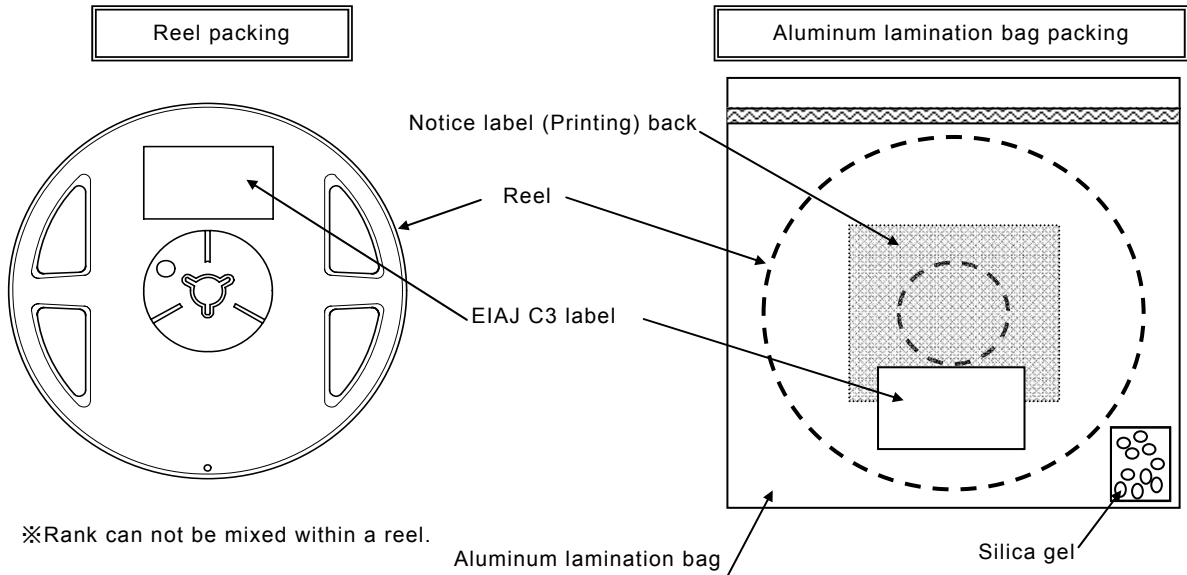
2011-04-05		
Established	Revised	



<h1>Packing Specification</h1>		<b>LNJC24X4ARA</b>	
		Total pages	Page
		5	4

**■ Packing form**

1. A reel of 2 000 LED's is a basic unit.
2. A reel and silica gel are put into an aluminum lamination bag.



※Fractional packing, I.e, tape & reel and inner or outer carton, can be happened.

(Note) Please refer the product traceability with date code on the packing label.

2011-04-05		
Established	Revised	

<h1>Packing Specification</h1>		<b>LNJC24X4ARA</b>	
		Total pages	Page
		5	5

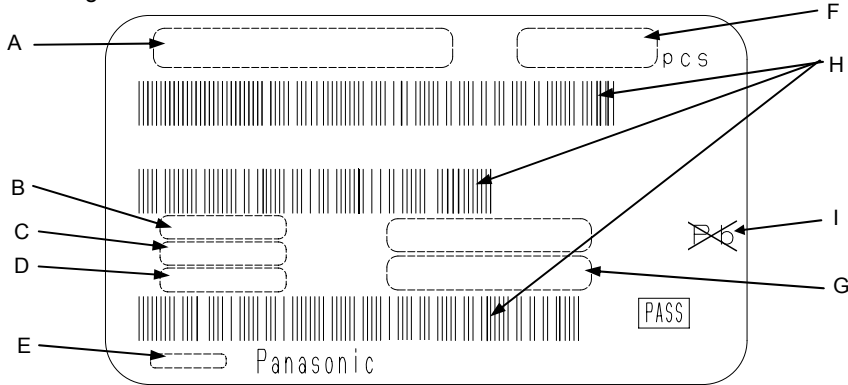
■ Internal use Label Items

1. Packing Classification

- 1) Reel : 2 000 pcs
- 2) Packing (Inner) : 6 000 pcs
- 3) Packing (outer) : 12 000 pcs

2. Label

1) EIAJ C3 labeling



- A : Customer code
- B : Internal packing code
- C : Rank
- D : Date code

Example of date code  
(Reference) 14 ⇒ April, 2011

January	February	.....	October	November	December
1	2	.....	O	N	D
			(October	November	December)

\* Only on the packing case tight number can be contained.

- E : Date of label printing
- F : Quantity
- G : Product number
- H : Bar code symbol
- I : Pb free

※ Product name indication (Example) LNJC24X4A RA

Taping specification  
Chip LED product No.

2) Indication method (Notice label)

〈注意〉  
本製品は、静電気に対して敏感な製品であり、その取り扱いには十分な注意が必要となります。特に、LEDの絶対最大定格を超えるような過電圧等が入った場合、そのエネルギーによってLEDにダメージを与えます。つきましてはLED取り扱いに於きまして、万全なる静電気、サージ対策をおとり下さい。

〈NOTICE〉  
This LED is sensitive to static electricity and care should be fully taken in handling it. Particularly, when an overvoltage is applied, which exceeds the absolute maximum rating of the LED, its energy damages the LED. Therefore, take utmost proactive measures against static electricity and surge as to building an assembly line and handling the LED halfway the process.


ATTENTION  
OBSERVE PRECAUTION  
FOR HANDLING  
ELECTRO STATIC  
SENSITIVE  
DEVICES  
静電気注意

PCS	

2011-04-05		
Established	Revised	

	<h1>Reliability Test Result</h1>	<b>LNJC24X4ARA</b>	
		Total pages	Page
		1	1

Product Name : LNJC24X4ARA

Issued by	Reaffirmed by
Panasonic Semiconductor Opto Devices Co., Ltd. Quality control group	

◆ Reliability Assurance Criterion (MIL-STD-19500H LTPD 15 %)

Test items	Test conditions	Test results	Judgment criteria
Consecutive operating life test	$I_{FDC}$ Max., $T_a=25$ °C, $t=1\ 000$ h	0/15	B
High temperature storage test	Tstg Max., $t=1\ 000$ h	0/15	A
Low temperature storage test	Tstg Min., $t=1\ 000$ h	0/15	A
High temperature humidity storage test	$T_a=60$ °C, $RH \geq 90$ %, $t=1\ 000$ h	0/15	A
Soldering heat test	Temperature: $T_a=250$ °C, $t=10$ s Max., Max. 260 °C Reflow soldering Refer to attached paper product specification Sheet No.13/8.	0/15	A
Temperature cycle test (gaseous phase)	Temperature: 【Tstg Min. ~ 25 °C ~ Tstg Max. ~ 25 °C】 Time: (30 min 5 min 30 min 5 min) × 20 cycles	0/15	A
Thermal shock test (liquid phase)	Temperature: 【Tstg Max. ~ 0 °C】 Time : (5 min 5 min) × 10 cycles	0/15	A
Fall test	Drop distance : 1 m Drop the device 3 times on a maple board of 3 cm or more in thickness.	0/15	A

◆ Judgment Criteria A

Item	Symbol	Measurement condition	Limit	Unit
Forward Voltage	$V_F$	Same as the Product Standards	Upper Limit × 1.2	V
Reverse Leakage Current	$I_R$	Same as the Product Standards	Upper Limit × 2.0	μA
Luminous Intensity	$\Delta I_o$	Same as the Product Standards	Lower Limit × 0.7	%

◆ Judgment Criteria B

Item	Symbol	Measurement condition	Limit	Unit
Forward Voltage	$V_F$	Same as the Product Standards	Upper Limit × 1.2	V
Reverse Leakage Current	$I_R$	Same as the Product Standards	Upper Limit × 2.0	μA
Luminous Intensity	$\Delta I_o$	Same as the Product Standards	Lower Limit × 0.5	%

(Notes)

If you have any special requirement, please inquire for us.

2011-04-05		
Established	Revised	

Semiconductor Company, Panasonic Corporation



单击下面可查看定价，库存，交付和生命周期等信息

[>>Panasonic\(松下\)](#)