

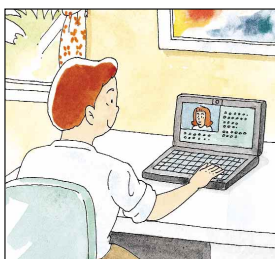
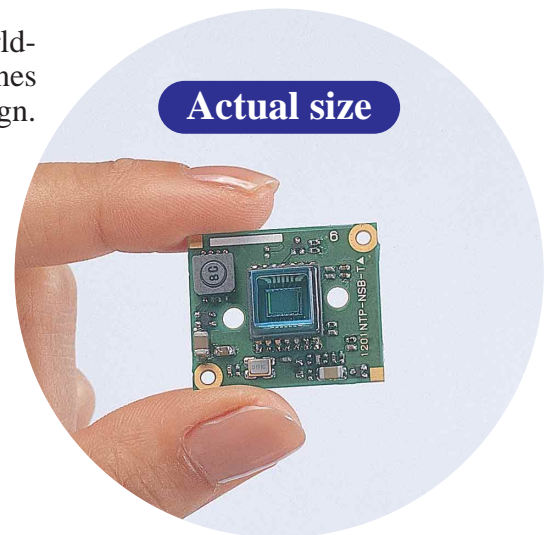
Sensitivity and image quality up, low energy consumption. No ultra-small color board camera is so ideal for so many applications.

Panasonic announce the introduction of a new addition to our world-renown color board camera line-up. The GP-KX121 series combines high image quality and high sensitivity with an energy saving design. These incredibly versatile ultra-small, ultra-light cameras offer the highest cost-performance ever.

Key Features

- Ultra-small 22mm(H) x 26mm(W) package.
- Horizontal 500-pixel array in a 1/4-type CCD, integrated with single chip digital signal processing (DSP).
- 300 lines of horizontal resolution and high sensitivity and image quality in lighting as low as 5 lx at F2.0 lens.
- MCM PCB design offers ultra-compact thin size, light weight, and high durability.
- Options include two types of lenses, with 45° and 51° horizontal image angle.

- Notebook PCs
- Videophones
- Rear-view monitoring for automobiles
- Medical/Dental checks
- Recording natural observations and special monitoring applications
- In-store and ATM surveillance
- And these are just the beginning.



Notebook PCs



Videophones



Automobiles



Video Intercoms

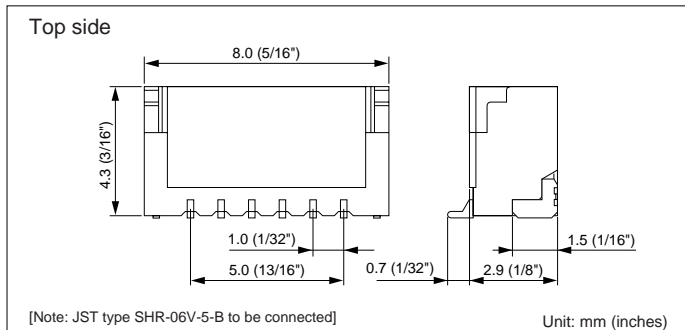


ATMs

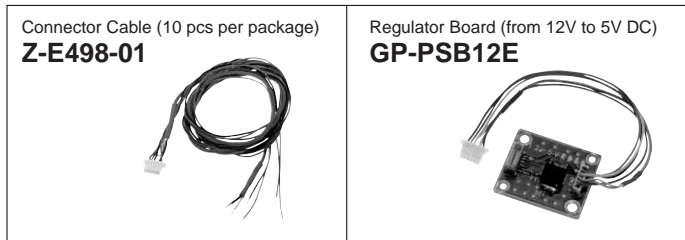
SPECIFICATIONS

TV Standard	NTSC	PAL
Model No.	GP-KX121P series	GP-KX121E series
Pick-up Device	1/4-type CCD with complimentary color filter	
Actual Number of Pixels	512H x 492V	512H x 582V
Total Number of Pixels	542H x 492V	542H x 582V
Imaging Area	3.68 mm (H) x 2.75 mm (V)	3.68 mm (H) x 2.74 mm (V)
Pixel Dimensions	7.20 μm(H) x 5.60μm (V)	7.20 μm(H) x 4.70μm (V)
Imaging System	Interline field memory 2-line simultaneous read-out	
Horizontal Scanning Frequency	15.734 kHz	15.625 kHz
Vertical Scanning Frequency	59.94 Hz	60.00 Hz
Number of Scanned Lines	525 lines	625 lines
Frames per Second	30 frames	25 frames
Synchronization	Internal synchronization	
Video Output	VBS 1 V(p-p) / 75 Ω composite signal	
Resolution	Horizontal	Min. 330 lines (center area)
	Vertical	Min. 350 lines (center area) Min. 400 lines (centre area)
S/N Ratio	46 dB (with AGC off, Weight on)	
Minimum Illumination	6 lx (at F2.8), 3 lx (at F2.0)	
AGC	ON fixed (0dB ~ +15dB)	
ELC	(1/60 ~ 1/96,000s)	(1/50 ~ 1/96,000s)
White Balance	ATW (ON fixed)	
External Terminals	6-pin cable connector (1) Power input (2) GND (3) Video output (4) GND (5) I ² C SCL (6) I ² C SDA	
Power Supply Range	DC 4.8 ~ 5.5 V	
Power Consumption	125 mA (DC 5.0 V)	
Temperature Range	Operating (Actual use): -10°C ~ +50°C (PCB only) Guaranteed performance: +5°C ~ +35°C	
Humidity Range	Operating: 90% max. Storage: 95% max.	
Dimensions (GP-KX121/51)	26.8 mm (W) x 22 mm (H) x 29.3 mm (D) (including connector)	
Weight (GP-KX121/51)	approx. 11 g	

EXTERNAL TERMINALS: JST BM06B-SRSS-TB



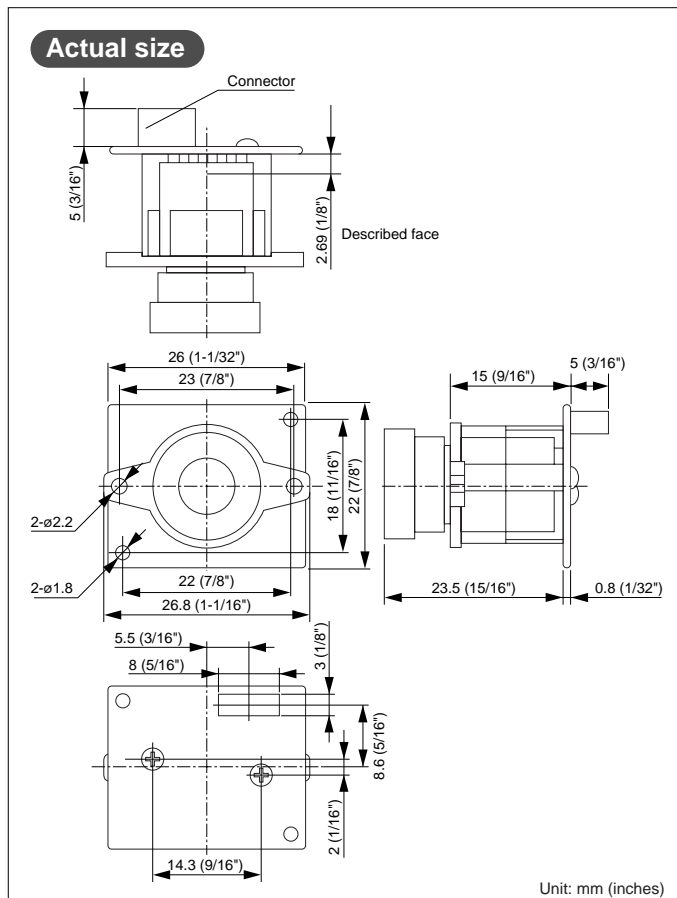
OPTIONAL ACCESSORIES



CONFIGURATIONS

Model No.	Lens type	Horizontal field angle	Max. aperture	Focal length
GP-KX121P/E	without lens			
GP-KX121/45P/E	Pin-hole	45.0°	F2.8	4.6 mm
GP-KX121/51P/E	Standard	51.0°	F2.0	3.7 mm

APPEARANCE



* With 51° lens attached (Lens unit diameter and height differ for other lenses. Please inquire for details.)

PIN ASSIGNMENT

Pin	Signal name	Explanation
1	DC	Power Input
2	GND	GND
3	VIDEO OUT	Video Output
4	GND	GND
5	SCL	OPEN
6	SDA	OPEN

- Weights and dimensions are approximate.
- Specifications are subject to change without notice.
- These products may be subject to export control regulations.

DISTRIBUTED BY:

Panasonic

Panasonic is the brandname of Matsushita Electric.
Printed in Japan
GP-JWX121T(2N-684A)

单击下面可查看定价，库存，交付和生命周期等信息

[>>Panasonic\(松下\)](#)