

Surface Mount Type



Series : SVPE

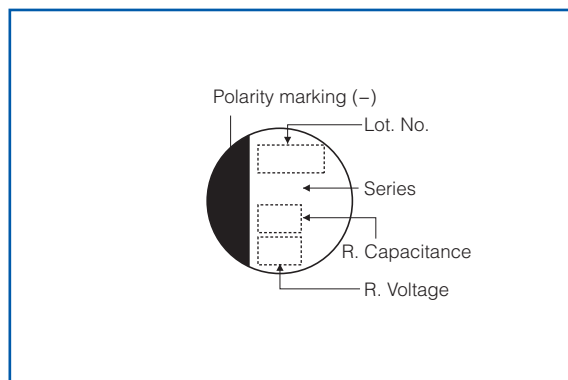
Features

- Super low ESR (8 mΩ to 18 mΩ)
- Large capacitance (1200 μF max.)
- RoHS compliance, Halogen free

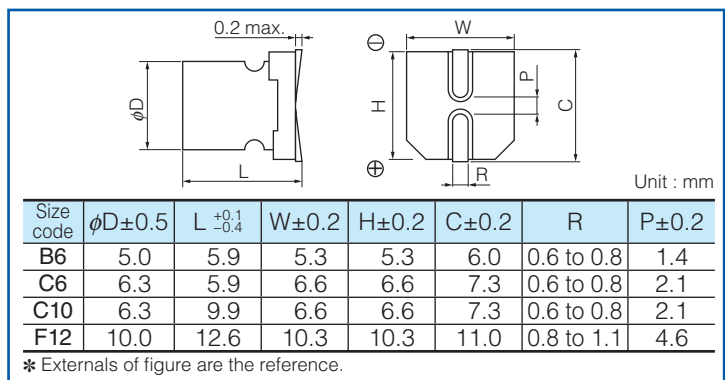
Specifications

Size code	B6	C6	C10	F12
Category temperature range	-55 °C to +105 °C			
Rated voltage range	2.5 V.DC to 6.3 V.DC	2.5 V.DC to 10 V.DC	2 V.DC to 16 V.DC	16 V.DC
Rated capacitance range	150 μF to 390 μF	220 μF to 390 μF	180 μF to 1200 μF	470 μF
Capacitance tolerance	±20 % (120 Hz / + 20 °C)			
Leakage current	Please see the attached characteristics list			
Dissipation factor (tan δ)	Please see the attached characteristics list			
Endurance	+105 °C, 2000 h, rated voltage applied			
	Capacitance change	Within ±20 % of the initial value		
	tan δ	≤ 150 % of the initial limit		
Damp heat (Steady State)	+60 °C, 90 % to 95 %, 1000 h, No-applied voltage			
	Capacitance change	Within ±20 % of the initial value		
	tan δ	≤ 150 % of the initial limit		
	DC leakage current	Within the initial limit (after voltage processing)		

Marking



Dimensions (not to scale)



Characteristics list

Series	Rated voltage (V.DC)	Rated capacitance (μF)	Case size (mm)		Size code	Specifications				Standard (Reel size : φ380)		
			φD	L		Ripple*1 (mA r.m.s.)	ESR		tan δ*2	LC*3 (μA)	Part number	Min. Packaging Qty (pcs)
						100 kHz/20 °C (mΩ max.)		300 kHz/20 °C (mΩ max.)				
SVPE	2	1200	6.3	9.9	C10	5230	8	8	0.12	500	2SVPE1200M	500
						3860	10	9	0.12	500	2R5SVPE270M	1500
	2.5	330	5.0	5.9	B6	3150	15	13	0.12	500	2R5SVPE330M	1500
						3860	10	9	0.12	500	2R5SVPE330MY	1500
			5.0	5.9	C6	3860	10	9	0.12	700	2R5SVPE390MX	1500
						3900	10	9	0.12	500	2R5SVPE390M	1000
	6.3	150	5.0	5.9	B6	3520	12	10	0.12	500	6SVPE150M	1500
						3150	15	13	0.12	500	6SVPE180M	1500
			5.0	5.9	C6	3150	15	13	0.12	500	6SVPE220MW	1500
						3900	10	9	0.12	500	6SVPE220M	1000
	10	220	6.3	5.9	C10	2700	20	18	0.12	500	10SVPE220M	1000
						4460	11	10	0.12	576	16SVPE180M	500
	16	470	10.0	12.6	F12	6100	10	9	0.12	1504	16SVPE470M	400

*1 Ripple current (100 kHz/ +105 °C), *2 tan δ (120 Hz/+20 °C) *3 After 2 minutes
 ♦ Please refer to each page in this catalog for "Reflow conditions" and "Taping specifications".

Frequency correction factor for ripple current

Frequency	120 Hz ≤ f < 1 kHz	1 kHz ≤ f < 10 kHz	10 kHz ≤ f < 100 kHz	100 kHz ≤ f < 500 kHz
Coefficient	0.05	0.3	0.7	1

单击下面可查看定价，库存，交付和生命周期等信息

[>>Panasonic\(松下\)](#)