

Power Inductors / Wire Wound type **Discontinued**

Series: **N**  
 Type: **ELCSFN-A**



■ Features

- Low DC resistance and large current capability
- RoHS compliant

■ Recommended Applications

- DC-DC converter circuitry for computer peripherals and cellular phones.

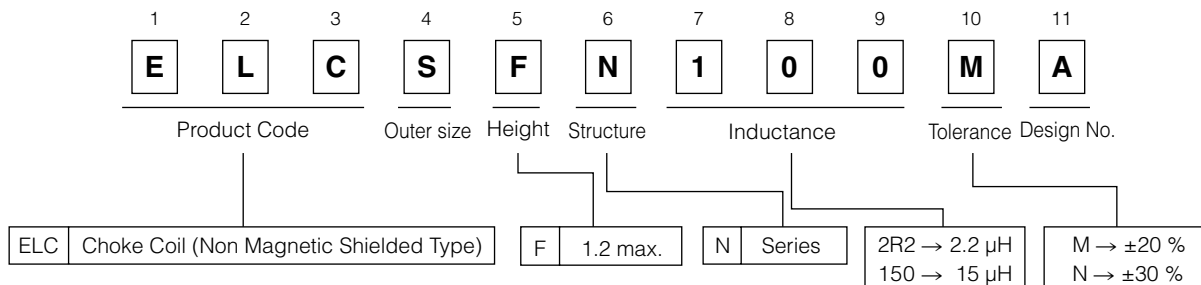
■ Standard Packing Quantity

- 2000 pcs./Reel

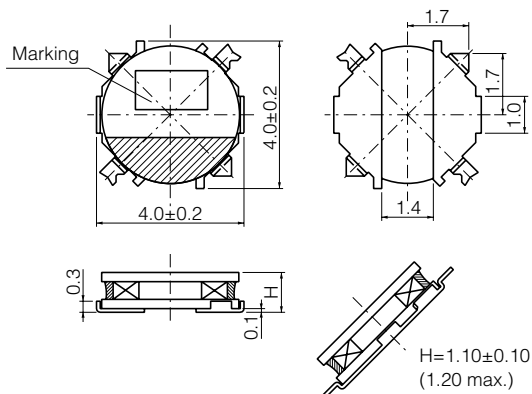
■ Soldering Conditions and Safety Precautions

Please see Data Files

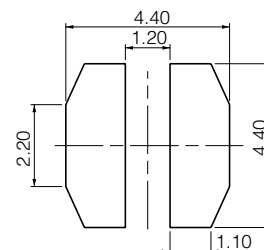
■ Explanation of Part Numbers



■ Dimensions in mm (not to scale)



■ Recommended land patterns in mm (not to scale)



Design and specifications are each subject to change without notice. Ask factory for the current technical specifications before purchase and/or use. Should a safety concern arise regarding this product, please be sure to contact us immediately.

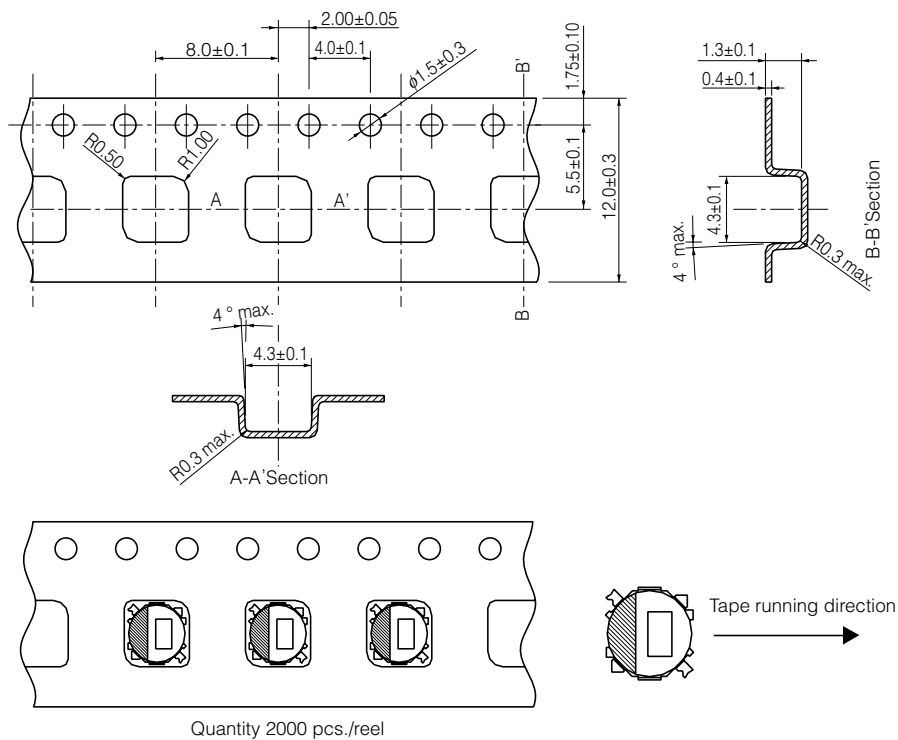
### Standard Parts

Part Number	Inductance (100 kHz)		R <sub>DC</sub> (at 20 °C)		Saturation Rated Current*1 (mA max.)	Temperature Rise Current*2 (mA max.)	Marking
	(μH)	Tol.	(mΩ)	Tol.			
ELCSFN1R0NA	1.0	±30%	60	±20%	2750	1700	A
ELCSFN2R2NA	2.2		95		2000	1300	D
ELCSFN3R3NA	3.3		150		1500	1100	E
ELCSFN4R7NA	4.7		190		1350	950	H
ELCSFN6R8NA	6.8		250		1100	850	K
ELCSFN100MA	10.0	±20%	400		950	650	M
ELCSFN220MA	22.0		920	650	450	R	

\*1 Saturation Rated Current : This DC current which causes a 30 % inductance reduction from its nominal value.

\*2 Temperature Rise Current : This indicates the value of current when temperature rise dt/t= 40 °C (at 20 °C).

### Embossed Carrier Tape Dimensions in mm (not to scale)



单击下面可查看定价，库存，交付和生命周期等信息

[>>Panasonic\(松下\)](#)