

AN1281SSM

Ripple filter IC

■ Overview

The AN1281SSM is a ripple filter IC that rejects the ripple component superimposed on the regulator output. Use for the VCO bias of cellular phones improves C/N and S/N.

■ Features

- Small I/O voltage difference
- The mounting area is reduced by adopting the SSmini-type package

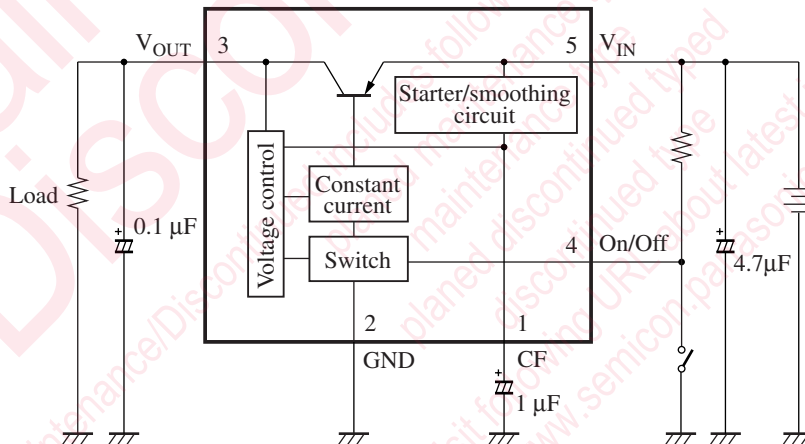
■ Applications

- Cellular phones and others

■ Package

- SSMINI-5DA

■ Block Diagram



■ Absolute Maximum Ratings

Parameter	Symbol	Rating	Unit
Supply voltage	V_{IN}	4.5	V
Supply current	I_{CC}	20	mA
Power dissipation *2	P_D	60	mW
Operating ambient temperature *1	T_{opr}	-25 to +75	°C
Storage temperature *1	T_{stg}	-40 to +125	°C
Output current	I_O	-15	mA
Allowable application voltage for on/off pin *3	$V_{ON/OFF}$	V_{IN}	V
Allowable maximum capacitance for CF pin	CF	10	μF

Note) 1. Do not apply external currents or voltages to any pins not specifically mentioned.

For circuit currents, '+' denotes current flowing into the IC, and '-' denotes current flowing out of the IC.

2. *1: Except for the power dissipation, the operating ambient temperature and storage temperature, all ratings are for $T_a = 25^\circ\text{C}$.

*2: The power dissipation shown is the value for $T_a = 75^\circ\text{C}$.

*3: Do not over the supply voltage.

■ Recommended Operating Range

Parameter	Symbol	Range	Unit
Supply voltage	V_{CC}	2.5 to 4.3	V

■ Electrical Characteristics at $T_a = 25^\circ\text{C}$

Parameter	Symbol	Conditions	Min	Typ	Max	Unit
Output voltage 1	V_{O1}	$V_{IN} = 2.5\text{ V}, I_{OUT} = -1\ \mu\text{A}$	2.10	2.30	—	V
Output voltage 2	V_{O2}	$V_{IN} = 2.5\text{ V}, I_{OUT} = -15\text{ mA}$	1.97	2.17	—	V
Output voltage 3	V_{O3}	$V_{IN} = 3.0\text{ V}, I_{OUT} = -1\ \mu\text{A}$	2.62	2.82	—	V
Output voltage 4	V_{O4}	$V_{IN} = 3.0\text{ V}, I_{OUT} = -15\text{ mA}$	2.55	2.70	—	V
Output voltage 5	V_{O5}	$V_{IN} = 4.3\text{ V}, I_{OUT} = -1\ \mu\text{A}$	3.95	4.15	—	V
Output voltage 6	V_{O6}	$V_{IN} = 4.3\text{ V}, I_{OUT} = -15\text{ mA}$	3.83	4.03	—	V
Consumption current 1	I_{CC1}	$V_{IN} = 2.5\text{ V}, I_{OUT} = -1\ \mu\text{A}$	-485	-370	—	μA
Consumption current 2	I_{CC2}	$V_{IN} = 2.5\text{ V}, I_{OUT} = -15\text{ mA}$	-420	-320	—	μA
Consumption current 3	I_{CC3}	$V_{IN} = 3.0\text{ V}, I_{OUT} = -1\ \mu\text{A}$	-735	-565	—	μA
Consumption current 4	I_{CC4}	$V_{IN} = 3.0\text{ V}, I_{OUT} = -15\text{ mA}$	-670	-515	—	μA
Consumption current 5	I_{CC5}	$V_{IN} = 4.3\text{ V}, I_{OUT} = -1\ \mu\text{A}$	-1.42	-1.09	—	mA
Consumption current 6	I_{CC6}	$V_{IN} = 4.3\text{ V}, I_{OUT} = -15\text{ mA}$	-1.36	-1.04	—	mA
Load regulation 1	REG_{L1}	$V_{IN} = 2.5\text{ V}, I_{OUT} = -1\ \mu\text{A}$ to -15 mA	0	130	230	mV
Load regulation 2	REG_{L2}	$V_{IN} = 3.0\text{ V}, I_{OUT} = -1\ \mu\text{A}$ to -15 mA	0	120	220	mV
Load regulation 3	REG_{L3}	$V_{IN} = 4.3\text{ V}, I_{OUT} = -1\ \mu\text{A}$ to -15 mA	0	120	220	mV
Consumption current against load change 1	I_{REG1}	$V_{IN} = 2.5\text{ V}, I_{OUT} = -1\ \mu\text{A}$ to -15 mA	0	49	110	μA
Consumption current against load change 2	I_{REG2}	$V_{IN} = 3.0\text{ V}, I_{OUT} = -1\ \mu\text{A}$ to -15 mA	0	51	110	μA

■ Electrical Characteristics at $T_a = 25^\circ\text{C}$ (continued)

Parameter	Symbol	Conditions	Min	Typ	Max	Unit
Consumption current against load change 3	I_{REG3}	$V_{IN} = 4.3\text{ V}$, $I_{OUT} = -1\ \mu\text{A}$ to -15 mA	0	51	110	μA
Ripple rejection ratio 1	RR_1	$V_{IN} = 3\text{ V} \pm 0.1\text{ V}$, $I_{OUT} = -15\text{ mA}$ $f = 1\text{ kHz}$	26.5	29.5	—	dB
Ripple rejection ratio 2	RR_2	$V_{IN} = 3\text{ V} \pm 0.1\text{ V}$, $I_{OUT} = -15\text{ mA}$ $f = 25\text{ kHz}$	30.5	33.5	—	dB
Ripple rejection ratio 3	RR_3	$V_{IN} = 3\text{ V} \pm 0.1\text{ V}$, $I_{OUT} = -15\text{ mA}$ $f = 100\text{ kHz}$	26.5	29.1	—	dB
Consumption current at off	I_{OFF}	$V_{IN} = 4.3\text{ V}$, On/Off = 0 V	—	—	1	μA

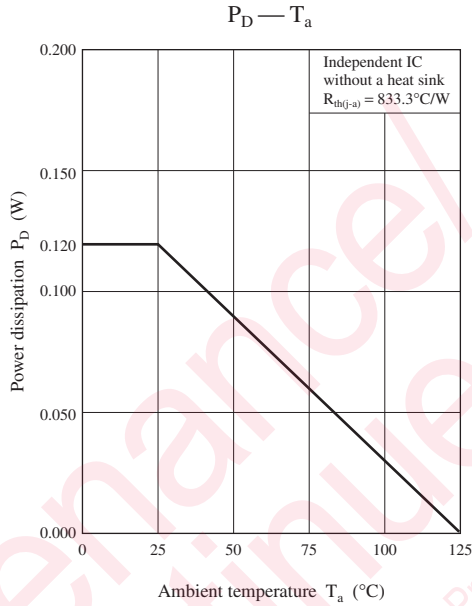
• Design reference data

Note) The characteristics listed below are theoretical values based on the IC design and are not guaranteed.

Parameter	Symbol	Conditions	Reference value	Unit
Output voltage 7	V_{O7}	$V_{IN} = 3.0\text{ V}$, $I_{OUT} = -15\text{ mA}$ $T_a = -25^\circ\text{C}$ to $+75^\circ\text{C}$	2.50 to 2.8	V
Consumption current 7	I_{CC7}	$V_{IN} = 3.0\text{ V}$, $I_{OUT} = -15\text{ mA}$ $T_a = -25^\circ\text{C}$ to $+75^\circ\text{C}$	400 to 800	μA
Load regulation 4	REG_{L4}	$V_{IN} = 3.0\text{ V}$, $I_{OUT} = -1\ \mu\text{A}$ to -15 mA $T_a = -25^\circ\text{C}$ to $+75^\circ\text{C}$	100 to 350	mV
Consumption current against load change 4	I_{REG4}	$V_{IN} = 3.0\text{ V}$, $I_{OUT} = -1\ \mu\text{A}$ to -15 mA $T_a = -25^\circ\text{C}$ to $+75^\circ\text{C}$	to 200	μA
Ripple rejection ratio 4	RR_4	$V_{IN} = 3.0\text{ V} \pm 0.1\text{ V}$, $I_{OUT} = -15\text{ mA}$ $f = 1\text{ kHz}$, $T_a = -25^\circ\text{C}$ to $+75^\circ\text{C}$	20 to	dB
Ripple rejection ratio 5	RR_5	$V_{IN} = 3.0\text{ V} \pm 0.1\text{ V}$, $I_{OUT} = -15\text{ mA}$ $f = 25\text{ kHz}$, $T_a = -25^\circ\text{C}$ to $+75^\circ\text{C}$	20 to	dB
Ripple rejection ratio 6	RR_6	$V_{IN} = 3.0\text{ V} \pm 0.1\text{ V}$, $I_{OUT} = -15\text{ mA}$ $f = 100\text{ kHz}$, $T_a = -25^\circ\text{C}$ to $+75^\circ\text{C}$	18 to	dB
Output voltage rise time	t_r	$V_{IN} = 3\text{ V}$, $V_{ON/OFF} = 0\text{ V} \rightarrow 3\text{ V}$ $I_{OUT} = -15\text{ mA}$, $V_{OUT}: 10\% \rightarrow 90\%$ $T_a = -25^\circ\text{C}$ to $+75^\circ\text{C}$	to 10	μs
Output voltage fall time	t_f	$V_{IN} = 3\text{ V}$, $V_{ON/OFF} = 3\text{ V} \rightarrow 0\text{ V}$ $I_{OUT} = -15\text{ mA}$, $V_{OUT}: 90\% \rightarrow 10\%$ $T_a = -25^\circ\text{C}$ to $+75^\circ\text{C}$	to 500	μs
Oscillation frequency margin	G_f	$C_{OUT} \geq 0.1\ \mu\text{F}$, $V_{IN} = 3.0\text{ V}$ $I_{OUT} = -1\ \mu\text{A}$ to -15 mA $T_a = -25^\circ\text{C}$ to $+75^\circ\text{C}$	Without abnormal oscillation.	

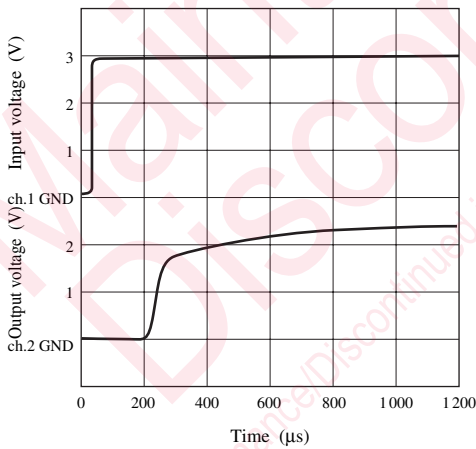
■ Application Notes

- $P_D - T_a$ curves of SSMINI-5DA package

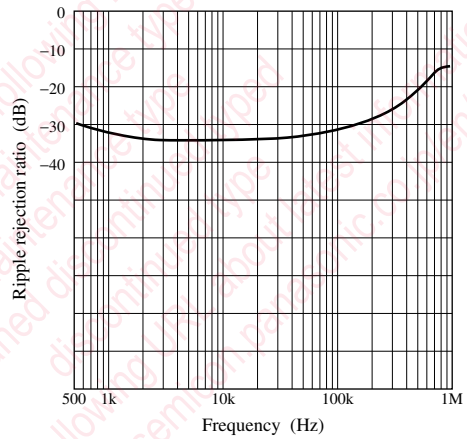


• Main characteristics

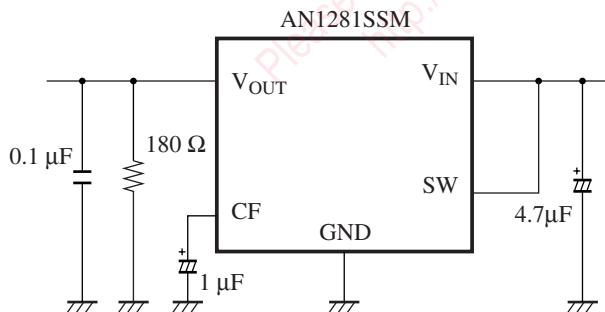
Output voltage rise time



Ripple rejection ratio — Frequency



Measurement circuit



Request for your special attention and precautions in using the technical information and semiconductors described in this book

- (1) If any of the products or technical information described in this book is to be exported or provided to non-residents, the laws and regulations of the exporting country, especially, those with regard to security export control, must be observed.
- (2) The technical information described in this book is intended only to show the main characteristics and application circuit examples of the products, and no license is granted under any intellectual property right or other right owned by our company or any other company. Therefore, no responsibility is assumed by our company as to the infringement upon any such right owned by any other company which may arise as a result of the use of technical information described in this book.
- (3) The products described in this book are intended to be used for standard applications or general electronic equipment (such as office equipment, communications equipment, measuring instruments and household appliances).
Consult our sales staff in advance for information on the following applications:
 - Special applications (such as for airplanes, aerospace, automobiles, traffic control equipment, combustion equipment, life support systems and safety devices) in which exceptional quality and reliability are required, or if the failure or malfunction of the products may directly jeopardize life or harm the human body.
 - Any applications other than the standard applications intended.
- (4) The products and product specifications described in this book are subject to change without notice for modification and/or improvement. At the final stage of your design, purchasing, or use of the products, therefore, ask for the most up-to-date Product Standards in advance to make sure that the latest specifications satisfy your requirements.
- (5) When designing your equipment, comply with the range of absolute maximum rating and the guaranteed operating conditions (operating power supply voltage and operating environment etc.). Especially, please be careful not to exceed the range of absolute maximum rating on the transient state, such as power-on, power-off and mode-switching. Otherwise, we will not be liable for any defect which may arise later in your equipment.
 - Even when the products are used within the guaranteed values, take into the consideration of incidence of break down and failure mode, possible to occur to semiconductor products. Measures on the systems such as redundant design, arresting the spread of fire or preventing glitch are recommended in order to prevent physical injury, fire, social damages, for example, by using the products.
- (6) Comply with the instructions for use in order to prevent breakdown and characteristics change due to external factors (ESD, EOS, thermal stress and mechanical stress) at the time of handling, mounting or at customer's process. When using products for which damp-proof packing is required, satisfy the conditions, such as shelf life and the elapsed time since first opening the packages.
- (7) This book may be not reprinted or reproduced whether wholly or partially, without the prior written permission of Matsushita Electric Industrial Co., Ltd.

单击下面可查看定价，库存，交付和生命周期等信息

[>>Panasonic\(松下\)](#)