

VIN = 2.9V to 5.5V 2ch,0.8A  
 General-purpose High Efficiency Power LSI

FEATURES

- High-speed response DC-DC Step-Down Regulator circuit that employs hysteretic control system :  
 2-ch (1.2 V, 0.8 A / 1.8 V, 0.8 A)
- LDO : 1-ch (0.9 V, 10 mA)
- Built-in external Pch MOSFET gate drive circuits
- Built-in Reset function
- Built-in Under Voltage Lockout function (UVLO)
- 24pin Plastic Quad Flat Non-leaded Package  
 (Size : 4 × 4 mm, 0.5 mm pitch)

DESCRIPTION

AN30181A is a power management LSI which has DC-DC Step Down Regulators (2-ch) that employs hysteretic control system.

By this system, when load current changes suddenly, it responds at high speed and minimizes the changes of output voltage.

Since it is possible to use capacitors with small capacitance and it is unnecessary to use parts for phase compensation, this IC realizes downsizing of set and reducing in the number of external parts.

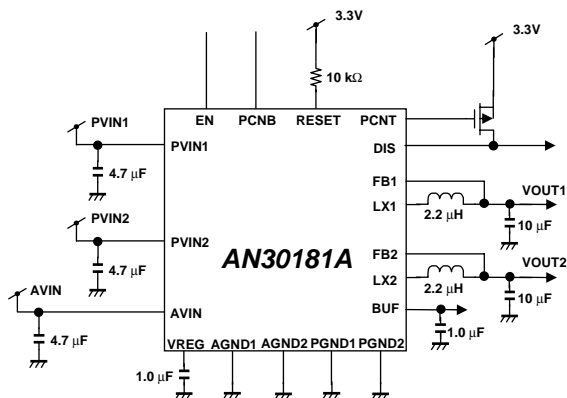
Output voltages are 1.2 V and 1.8 V. Each maximum current is 0.8 A.

This LSI has a LDO circuit, external Pch-MOSFET gate drive circuits and a reset circuit of input power supply voltage.

APPLICATIONS

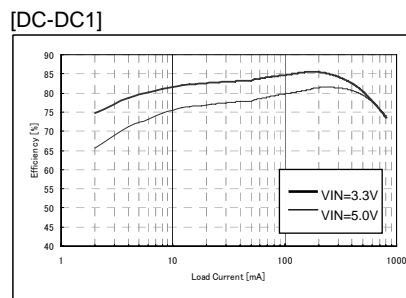
High Current Distributed Power Systems such as SSD (Solid State Drive), Cellular Phone, etc.

SIMPLIFIED APPLICATION

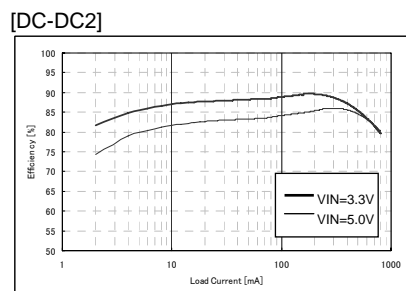


Notes) This application circuit is an example. The operation of mass production set is not guaranteed. You should perform enough evaluation and verification on the design of mass production set. You are fully responsible for the incorporation of the above application circuit and information in the design of your equipment.

EFFICIENCY CURVE



Condition : VIN=3.3V , 5.0V , Vout=1.2V , Cout=10μF , Lout=2.2μH



Condition : VIN=3.3V , 5.0V , Vout=1.8V , Cout=10μF , Lout=2.2μH

**ABSOLUTE MAXIMUM RATINGS**

Parameter	Symbol	Rating	Unit	Notes
Supply voltage	$V_{IN}$	6.0	V	*1 *3
Operating free-air temperature	$T_{opr}$	- 40 to + 85	°C	*2
Operating junction temperature	$T_j$	- 40 to + 150	°C	*2
Storage temperature	$T_{stg}$	- 55 to + 150	°C	*2
Input Voltage Range	EN,FB1,FB2	- 0.3 to ( $V_{IN} + 0.3$ )	V	*1 *3
Output Voltage Range	LX1,LX2,PCNT,PCNTB,DIS,RESET,BUF,VREG	- 0.3 to ( $V_{IN} + 0.3$ )	V	*1 *3
ESD	HBM (Human Body Model)	2	kV	-

Notes) Do not apply external currents and voltages to any pin not specifically mentioned.

This product may sustain permanent damage if subjected to conditions higher than the above stated absolute maximum rating. This rating is the maximum rating and device operating at this range is not guaranteeable as it is higher than our stated recommended operating range. When subjected under the absolute maximum rating for a long time, the reliability of the product may be affected.

\*1:The values under the condition not exceeding the above absolute maximum ratings and the power dissipation.

\*2:Except for the power dissipation, operating ambient temperature, and storage temperature, all ratings are for  $T_a = 25^{\circ}C$ .

\*3: $V_{IN}$  is voltage for AVIN,  $PVIN1 = PVIN2, (V_{IN} + 0.3)$  V must not be exceeded 6 V.

**POWER DISSIPATION RATING**

PACKAGE	$\theta_{JA}$	PD( $T_a=25^{\circ}C$ )	PD( $T_a=85^{\circ}C$ )	Notes
9pin Wafer level chip size package (WLCSP Type)	84.9 °C /W	1.472 W	0.765 W	*1

Note). For the actual usage, please refer to the PD-Ta characteristics diagram in the package specification, follow the power supply voltage, load and ambient temperature conditions to ensure that there is enough margin and the thermal design does not exceed the allowable value.

\*1:Glass Epoxy Substrate(4 Layers) [Glass-Epoxy: 50 X 50 X 0.8(mm)]  
Die Pad Exposed , Soldered.



**CAUTION**

Although this has limited built-in ESD protection circuit, but permanent damage may occur on it. Therefore, proper ESD precautions are recommended to avoid electrostatic damage to the MOS gates

RECOMMENDED OPERATING CONDITIONS

Parameter	Symbol	Min.	Typ.	Max.	Unit	Notes
Supply voltage range	$V_{IN}$	2.9	3.3	5.5	V	*1 *2
Input Voltage Range	EN	- 0.3	—	$V_{IN} + 0.3$	V	*3
	FB1	- 0.3	—	$V_{IN} + 0.3$	V	*3
	FB2	- 0.3	—	$V_{IN} + 0.3$	V	*3
Output Voltage Range	LX1,LX2	- 0.3	—	$V_{IN} + 0.3$	V	*3
	PCNT	- 0.3	—	$V_{IN} + 0.3$	V	*3
	PCNTB	- 0.3	—	$V_{IN} + 0.3$	V	*3
	DIS	- 0.3	—	$V_{IN} + 0.3$	V	*3
	RESET	- 0.3	—	$V_{IN} + 0.3$	V	*3
	BUF	- 0.3	—	$V_{IN} + 0.3$	V	*3
	VREG	- 0.3	—	$V_{IN} + 0.3$	V	*3

Note) Do not apply external currents and voltages to any pin not specifically mentioned.

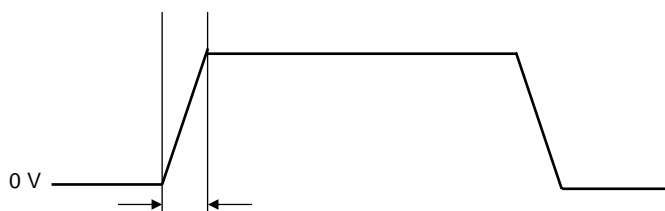
Voltage values, unless otherwise specified, are with respect to GND. GND is voltage for AGND1, AGND2, PGND1, PGND2. AGND1 = AGND2 = PGND1 = PGND2. Vin is voltage for AVIN, PVIN1, PVIN2. AVIN = PVIN1 = PVIN2.

\*1 : Please set the rising time of power input pin to the following range.

In addition, please input the voltage with the rising time which has margin enough in consideration of the variation in external parts.

\*2 : The values under the condition not exceeding the above absolute maximum ratings and the power dissipation.

\*3 : ( $V_{IN} + 0.3$ ) V must not be exceeded 6 V.



$100 \mu s < Tr < 1.5 ms$   
( $Tr$  is the rise time from 0 V to the setup voltage of  $V_{IN}$ .)

**ELECTRICAL CHARACTERISTICS**

$V_{IN} = AVIN = PVIN1 = PVIN2 = 3.3V$

[DC-DC1]  $C_{out} = 10 \mu F$  (GRM21BB31A106K[Murata] ) ,  $L_{out} = 2.2 \mu H$  ( NR3012T2R2M[Taiyo Yuden] )

[DC-DC2]  $C_{out} = 10 \mu F$  (GRM21BB31A106K[Murata] ) ,  $L_{out} = 2.2 \mu H$  ( NR3012T2R2M[Taiyo Yuden] )

$T_a = 25 \text{ }^\circ\text{C} \pm 2 \text{ }^\circ\text{C}$  unless otherwise noted.

Parameter	Symbol	Conditions	Limits			Unit	Notes
			Min	Typ	Max		
[DC-DC1] (1.2 V step-down DCDC step down regulator)							
[DC-DC2] (1.8 V step-down DCDC step down regulator)							
Consumption current at active	I <sub>ACT</sub>	EN = 3.3 V, I <sub>OUT1</sub> , I <sub>OUT2</sub> , I <sub>OUT(BUF)</sub> = 0 A	—	200	300	μA	—
EN pin Low-level input voltage	VENL	V <sub>IN</sub> = 3.3 V	—	0	0.3	V	—
EN pin High-level input voltage	VENH	V <sub>IN</sub> = 3.3 V	1.5	3.3	-	V	—
EN pin leak current	ILEAK EN	EN = 3.3 V	—	2.4	10	μA	—
DC-DC1 output voltage	DD1 VOUT	I <sub>OUT1</sub> = 450 mA	1.176	1.200	1.224	V	—
DC-DC2 output voltage	DD2 VOUT	I <sub>OUT2</sub> = 500 mA	1.764	1.800	1.836	V	—
UVLO start voltage	VUVLO DET	V <sub>IN</sub> = 3.3 V → 0 V	2.4	2.5	2.6	V	—
UVLO stop voltage	VUVLO RMV	V <sub>IN</sub> = 0 V → 3.3 V	2.45	2.6	2.8	V	—
Reset detection voltage	VRST DET	V <sub>IN</sub> = 3.3 V → 0 V	2.740	2.810	2.880	V	—
Reset cancel voltage	VRST RMV	V <sub>IN</sub> = 0 V → 3.3 V	2.847	2.920	2.993	V	—
Reset ON resistance	RON RST	EN = 0 V RESET inflowing current = 330 μA (10 kΩ pull-up resistor to 3.3 V)	—	140	240	Ω	—
DIS discharge resistance	RON DIS	EN = 0 V	—	90	190	Ω	—
BUF output voltage	BUF VOUT	I <sub>OUT(BUF)</sub> = 10 μA	0.873	0.900	0.927	V	—

**ELECTRICAL CHARACTERISTICS (Continued)**

$V_{IN} = AVIN = PVIN1 = PVIN2 = 3.3V$

[DC-DC1]  $C_{out} = 10 \mu F$  (GRM21BB31A106K[Murata]) ,  $L_{out} = 2.2 \mu H$  (NR3012T2R2M[Taiyo Yuden])

[DC-DC2]  $C_{out} = 10 \mu F$  (GRM21BB31A106K[Murata]) ,  $L_{out} = 2.2 \mu H$  (NR3012T2R2M[Taiyo Yuden])

$T_a = 25 \text{ }^\circ\text{C} \pm 2 \text{ }^\circ\text{C}$  unless otherwise noted.

Parameter	Symbol	Conditions	Reference values			Unit	Notes
			Min	Typ	Max		
[DC-DC1] (1.2 V step-down DCDC step down regulator)							
[DC-DC2] (1.8 V step-down DCDC step down regulator)							
Consumption current at standby	ISTB	EN = 0 V	—	0	—	$\mu A$	*1
DC-DC1 line regulation	DD1 REGIN	$V_{IN} = 2.9 V \rightarrow 5.5 V$ $I_{OUT1} = 450 mA$	—	6	—	mV	*1
DC-DC2 line regulation	DD2 REGIN	$V_{IN} = 2.9 V \rightarrow 5.5 V$ $I_{OUT2} = 500 mA$	—	8	—	mV	*1
DC-DC1 load regulation	DD1 REGLD	$I_{OUT1} = 10 \mu A \rightarrow 800 mA$	—	10	—	mV	*1
DC-DC2 load regulation	DD2 REGLD	$I_{OUT2} = 10 \mu A \rightarrow 800 mA$	—	15	—	mV	*1
DC-DC1 output current limit	DD1 ILMT	FB1 = 1.2 V $\rightarrow$ 0.6 V	—	1.6	—	A	*1
DC-DC2 output current limit	DD2 ILMT	FB2 = 1.8 V $\rightarrow$ 0.9 V	—	1.6	—	A	*1
DC-DC1 efficiency 1	DD1 EFF1	$V_{IN} = 3.3 V \rightarrow 5 V$ $I_{OUT1} = 10 mA$	—	75	—	%	*1
DC-DC1 efficiency 2	DD1 EFF2	$V_{IN} = 3.3 V$ $I_{OUT1} = 450 mA$	—	83	—	%	*1
DC-DC1 efficiency 3	DD1 EFF3	$V_{IN} = 5 V$ $I_{OUT1} = 450 mA$	—	80	—	%	*1
DC-DC2 efficiency 1	DD2 EFF1	$V_{IN} = 3.3 V \rightarrow 5 V$ $I_{OUT2} = 10 mA$	—	80	—	%	*1
DC-DC2 efficiency 2	DD2 EFF2	$V_{IN} = 3.3 V$ $I_{OUT2} = 500 mA$	—	85	—	%	*1
DC-DC2 efficiency 3	DD2 EFF3	$V_{IN} = 5 V$ $I_{OUT2} = 500 mA$	—	81	—	%	*1
DC-DC1 output ripple voltage 1	DD1 VRPL1	$I_{OUT1} = 10 mA$	—	30	—	mV <sub>[p-p]</sub>	*1
DC-DC1 output ripple voltage 2	DD1 VRPL2	$I_{OUT1} = 450 mA$	—	7	—	mV <sub>[p-p]</sub>	*1
DC-DC2 output ripple voltage 1	DD2 VRPL1	$I_{OUT2} = 10 mA$	—	30	—	mV <sub>[p-p]</sub>	*1
DC-DC2 output ripple voltage 2	DD2 VRPL2	$I_{OUT2} = 500 mA$	—	7	—	mV <sub>[p-p]</sub>	*1

\*1 : Typical Value checked by design.

**ELECTRICAL CHARACTERISTICS (Continued)**

$V_{IN} = AVIN = PVIN1 = PVIN2 = 3.3V$

[DC-DC1]  $C_{out} = 10 \mu F$  (GRM21BB31A106K[Murata] ) ,  $L_{out} = 2.2 \mu H$  ( NR3012T2R2M[Taiyo Yuden] )

[DC-DC2]  $C_{out} = 10 \mu F$  (GRM21BB31A106K[Murata] ) ,  $L_{out} = 2.2 \mu H$  ( NR3012T2R2M[Taiyo Yuden] )

$T_a = 25 \text{ }^\circ\text{C} \pm 2 \text{ }^\circ\text{C}$  unless otherwise noted.

Parameter	Symbol	Conditions	Reference values			Unit	Notes
			Min	Typ	Max		
[DC-DC1] (1.2 V step-down DCDC step down regulator)							
[DC-DC2] (1.8 V step-down DCDC step down regulator)							
DC-DC1 load transient response	DD1 DVAC	$I_{OUT1} = 50 \text{ mA} \leftrightarrow 200 \text{ mA}$ $\Delta t = 1 \mu s$	—	25	—	mV	*1
DC-DC2 load transient response	DD2 DVAC	$I_{OUT2} = 10 \text{ mA} \leftrightarrow 250 \text{ mA}$ $\Delta t = 1 \mu s$	—	25	—	mV	*1
DC-DC1 operating frequency	DD1 FSW	$I_{OUT1} = 450 \text{ mA}$	—	1.2	—	MHz	*1
DC-DC2 operating frequency	DD2 FSW	$I_{OUT2} = 500 \text{ mA}$	—	1.2	—	MHz	*1
DC-DC1 discharge resistance	DD1 RDIS	EN = 0 V	—	100	—	$\Omega$	*1
DC-DC2 discharge resistance	DD2 RDIS	EN = 0 V	—	150	—	$\Omega$	*1
DC-DC1 Pch-MOS ON resistance	DD1 RONP	—	—	0.25	—	$\Omega$	*1
DC-DC2 Pch-MOS ON resistance	DD2 RONP	—	—	0.3	—	$\Omega$	*1
DC-DC1 Nch-MOS ON resistance	DD1 RONN	—	—	0.2	—	$\Omega$	*1
DC-DC2 Nch-MOS ON resistance	DD2 RONN	—	—	0.25	—	$\Omega$	*1
DC-DC1 start time	DD1 TSTU	Capacitive load : 26 $\mu F$ $I_{OUT1} = 0 \text{ A}$ The time until 90 % from 10 % of target value.	—	0.1	—	ms	*1
DC-DC2 start time	DD2 TSTU	Capacitive load : 24 $\mu F$ $I_{OUT2} = 0 \text{ A}$ The time until 90 % from 10 % of target value.	—	0.15	—	ms	*1

\*1 : Typical Value checked by design.

**ELECTRICAL CHARACTERISTICS (Continued)**

$V_{IN} = AVIN = PVIN1 = PVIN2 = 3.3V$

[DC-DC1]  $C_{out} = 10 \mu F$  (GRM21BB31A106K[Murata] ) ,  $L_{out} = 2.2 \mu H$  ( NR3012T2R2M[Taiyo Yuden] )

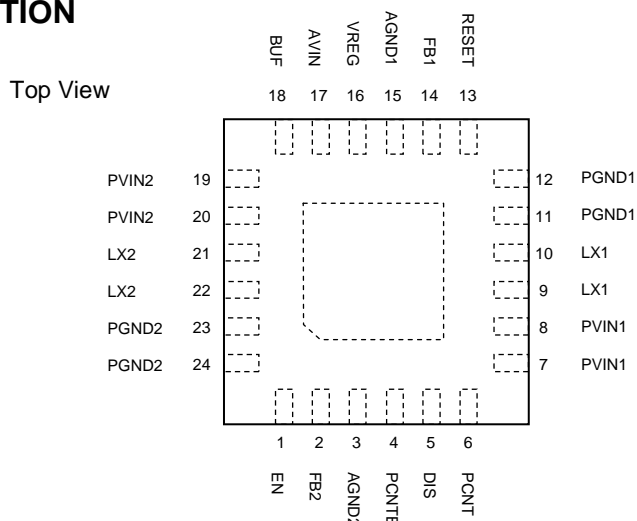
[DC-DC2]  $C_{out} = 10 \mu F$  (GRM21BB31A106K[Murata] ) ,  $L_{out} = 2.2 \mu H$  ( NR3012T2R2M[Taiyo Yuden] )

$T_a = 25 \text{ }^\circ\text{C} \pm 2 \text{ }^\circ\text{C}$  unless otherwise noted.

Parameter	Symbol	Conditions	Reference values			Unit	Notes
			Min	Typ	Max		
[DC-DC1] (1.2 V step-down DCDC step down regulator)							
[DC-DC2] (1.8 V step-down DCDC step down regulator)							
BUF line regulation	BUF REG IN	$V_{IN} = 2.9 V \rightarrow 5.5 V$ $I_{OUT(BUF)} = 10 \mu A$	—	0	—	mV	*1
BUF load regulation	BUF REG LD	$I_{OUT(BUF)} = 10 \mu A \rightarrow 10 mA$	—	5	—	mV	*1
BUD output current limit	BUF ILMT	BUF = 0 V	—	10	—	mA	*1
BUF PSRR	BUF PSR	$I_{OUT(BUF)} = 10 \mu A$ $f = 10 kHz$	—	-50	—	dB	*1
BUF load transient response 1	BUF DVAC 1	$I_{OUT(BUF)} = 10 \mu A \rightarrow 10 mA$ $\Delta t = 1 \mu s$	—	160	—	mV	*1
BUF load transient response 2	BUF DVAC 2	$I_{OUT(BUF)} = 10 mA \rightarrow 10 \mu A$ $\Delta t = 1 \mu s$	—	100	—	mV	*1
BUF discharge resistance	BUF RDIS	EN = 0 V	—	80	—	$\Omega$	*1
BUF start time	BUF TSTU	$I_{OUT(BUF)} = 0 A$ The time until 90 % from 10 % of target value.	—	50	—	$\mu s$	*1
Reset delay	RST DLY	—	—	30	—	ms	*1
PCNT sink current	IPCNT	PCNT = 3.3 V	—	2.5	—	$\mu A$	*1
Timer latch time	TLAT CH	—	—	1	—	ms	*1
DC-DC1 Ground-short detection voltage	DD1 SCP	FB1 = 1.2 V $\rightarrow$ 0 V	—	0.6	—	V	*1
DC-DC2 Ground-short detection voltage	DD2 SCP	FB2 = 1.8 V $\rightarrow$ 0 V	—	0.9	—	V	*1
TSD operating temperature	TJSO	Temperature error detection	—	160	—	$^\circ\text{C}$	*1

\*1 : Typical Value checked by design.

PIN CONFIGURATION



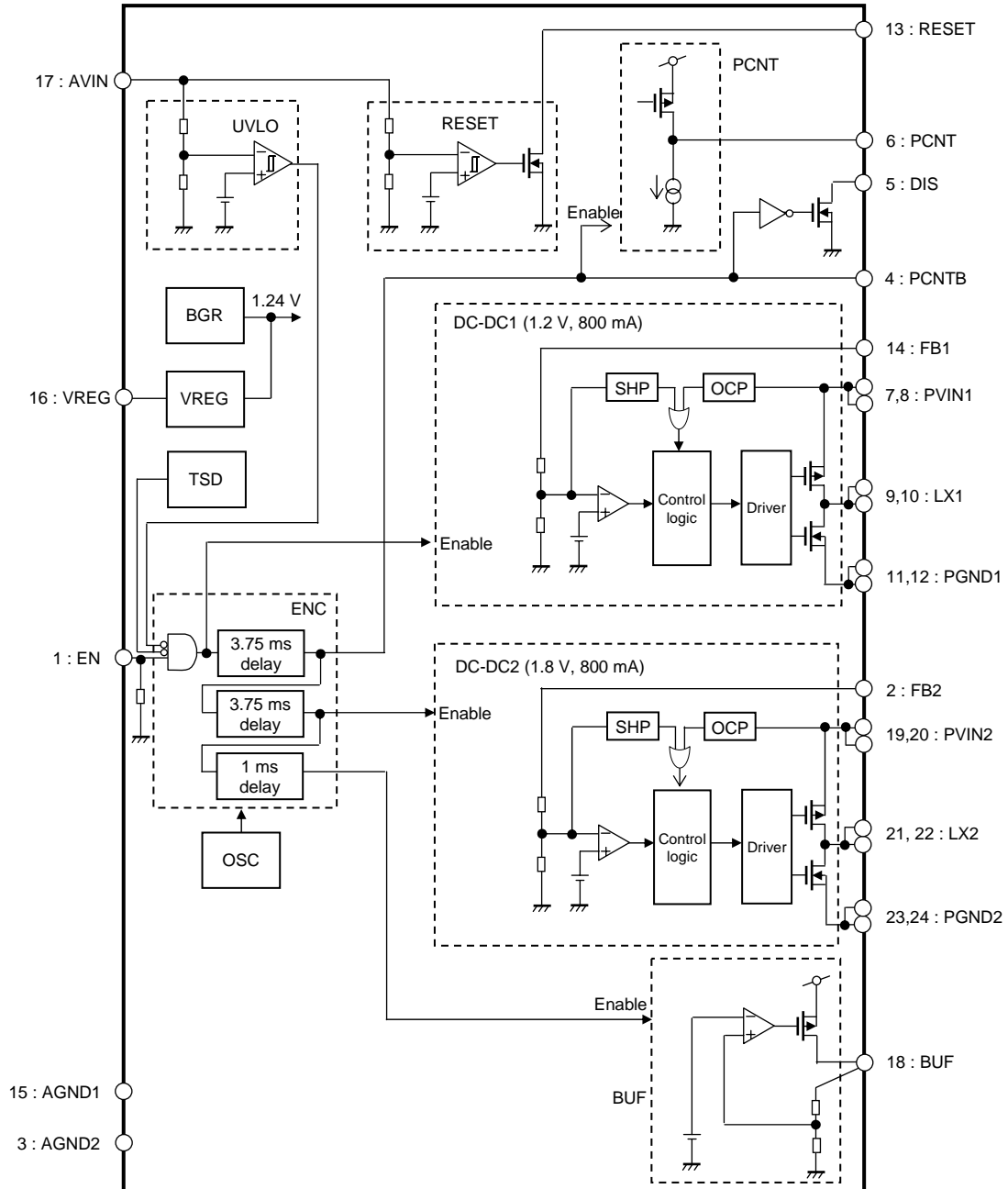
PIN FUNCTION

Pin No.	Pin name	Type	Description
1	EN	Input	ON/OFF control pin
2	FB2	Input	Feed Back pin ( for DC-DC2 )
3	AGND2	Ground	Ground pin
4	PCNTB	Output	External devices control output pin
5	DIS	Output	Discharge pin ( open drain )
6	PCNT	Output	External Pch MOSFET gate control pin
7	PVIN1	Power supply	Power supply pin ( for DC-DC1 )
8	PVIN1	Power supply	Power supply pin ( for DC-DC1 )
9	LX1	Output	Driver output pin ( for DC-DC1 )
10	LX1	Output	Driver output pin ( for DC-DC1 )
11	PGND1	Ground	Ground pin ( for DC-DC1 )
12	PGND1	Ground	Ground pin ( for DC-DC1 )
13	RESET	Output	Reset output pin ( open drain )
14	FB1	Input	Feed Back pin ( for DC-DC1 )
15	AGND1	Ground	Ground pin
16	VREG	Output	LDO output pin ( Power supply for internal control circuit / 2.55 V )
17	AVIN	Power supply	Power supply pin
18	BUF	Output	LDO output pin ( 0.9 V )
19	PVIN2	Power supply	Power supply pin ( for DC-DC2 )
20	PVIN2	Power supply	Power supply pin ( for DC-DC2 )
21	LX2	Output	Driver output pin ( for DC-DC2 )
22	LX2	Output	Driver output pin ( for DC-DC2 )
23	PGND2	Ground	Ground pin ( for DC-DC2 )
24	PGND2	Ground	Ground pin ( for DC-DC2 )

Notes) Concerning detail about pin description, please refer to OPERATION and APPLICATION INFORMATION section.



FUNCTIONAL BLOCK DIAGRAM



Notes) This block diagram is for explaining functions. Part of the block diagram may be omitted, or it may be simplified.

**OPERATION**

**1. Pin Setting For Start / Stop Control**

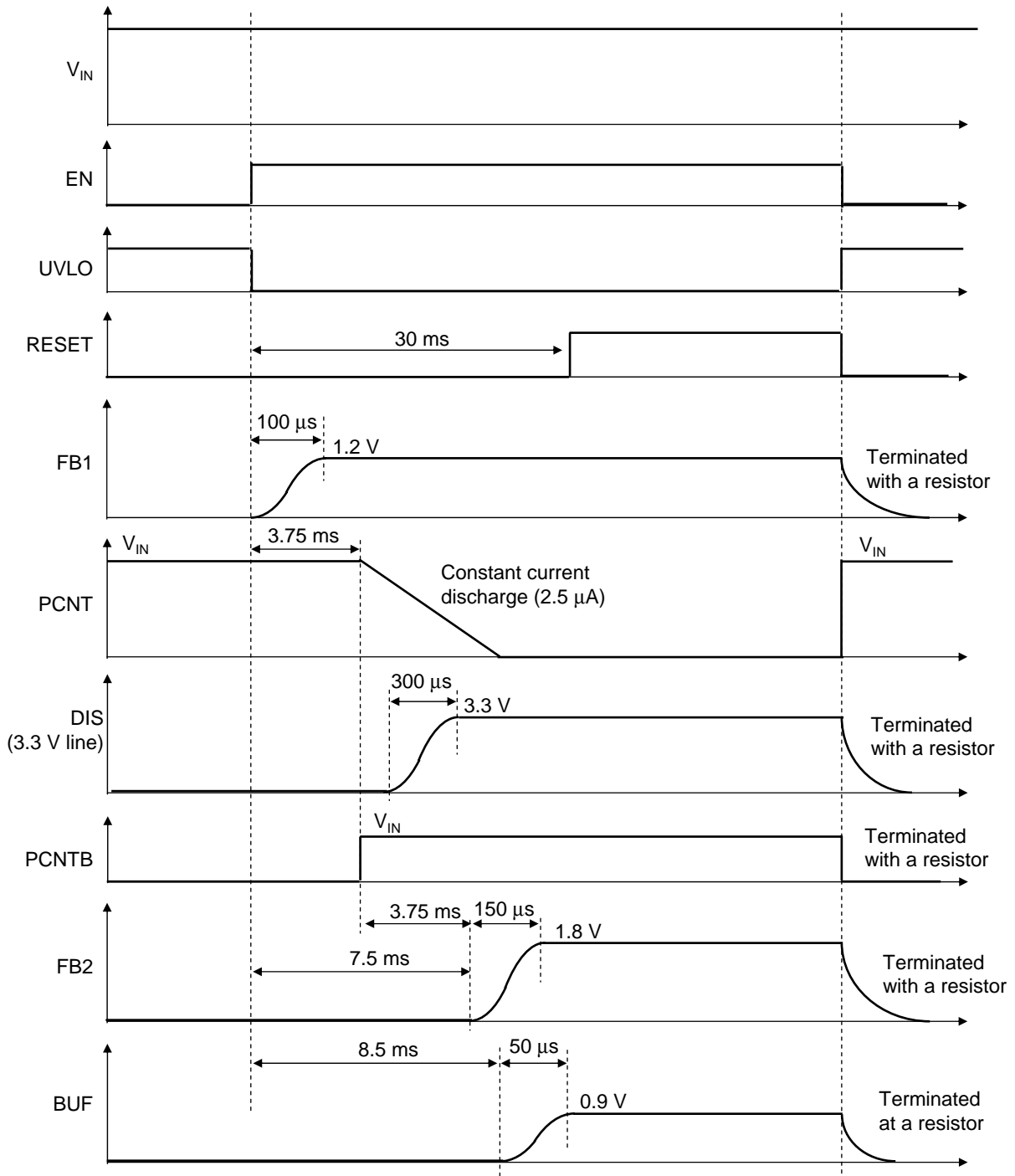
EN	High	Low
DC-DC1(1.0V)	ON	OFF
External Pch-MOSFE Gate control circuit	ON	OFF
DC-DC2(1.8V)	ON	OFF
BUF(0.9V)	ON	OFF

OPERATION (Continued)

2. Start / Stop Control Timing Chart

Note) The characteristics listed below are reference values derived from the design of the IC and are not guaranteed.

Start / Stop control of AN30181A is performed by EN pin.



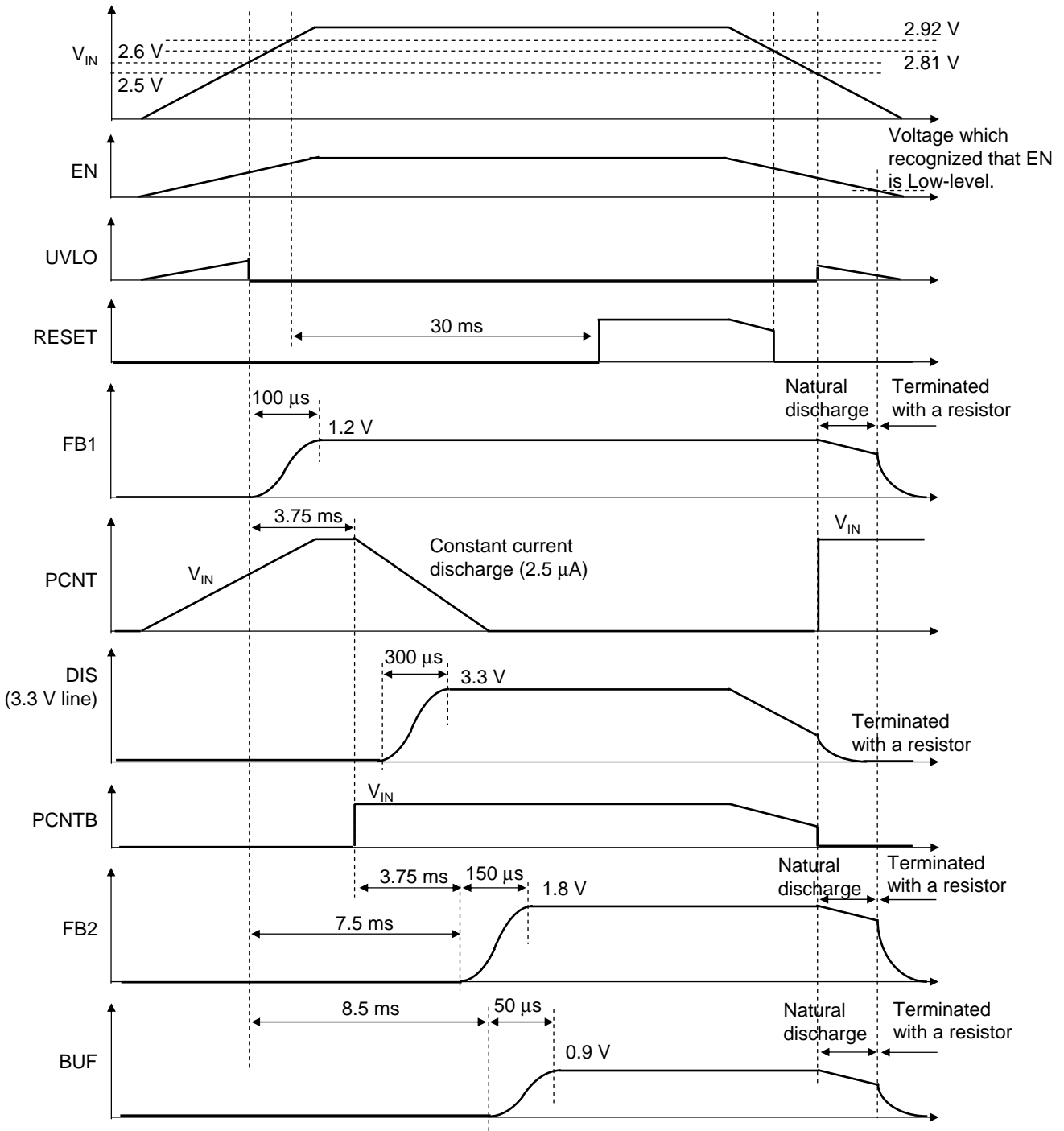
Note) All values given in the above figure are typical values.

OPERATION (Continued)

2. Start / Stop Control Timing Chart

Note) The characteristics listed below are reference values derived from the design of the IC and are not guaranteed.

Start / Stop sequence in case that EN pin is connected to power supply ( $V_{IN}$ ) is as follows.



Note) All values given in the above figure are typical values.

## OPERATION (Continued)

### 3. Protection

Note) The characteristics listed below are reference values derived from the design of the IC and are not guaranteed.

- UVLO function

When power supply rises to 2.6 V or higher at EN = High, UVLO is released, and the operation of each function starts. Since this function's hysteresis is 100 mV, UVLO detects when power supply falls to 2.5 V or lower, then each function shuts down.

- Reset function

RESET pin shifts to High at 30 ms delay after power supply rises to 2.92 V or higher.

(Output type : Nch MOS open drain)

Since this function's hysteresis is 110 mV, RESET pin shifts to Low when power supply falls to 2.81 V or lower.

(No delay in case of High → Low)

- DC-DC1 (Output voltage : 1.2 V)

When UVLO is released, DC-DC1 starts and outputs 1.2 V. Soft-start function operates for 1 ms after startup.

Since output voltage rises slowly, limiting input current, it is possible to prevent rush current and overshoot.

When UVLO detects, DC-DC1 turns off. When EN pin shifts to Low, an output pin (FB1) is terminated with a resistor.

- External Pch-MOSFET gate control function

PCNT pin is discharged by the constant current (2.5  $\mu$ A) at 3.75 ms delay after UVLO is released.

By connecting the gate of Pch MOSFET to PCNT pin, it is possible to turn on this FET softly.

At the same time, the termination with a resistor of DIS pin is released.

Just after UVLO detects, PCNT pin voltage becomes  $V_{IN}$  and DIS pin is terminated with a resistor.

- External synchronization signal output function

PCNTB pin outputs the signal which is synchronized with the above-mentioned PCNT pin. Therefore, PCNTB pin outputs High at 3.75 ms delay after UVLO is released. PCNTB pin outputs Low just after UVLO detects.

- DC-DC2 (Output voltage : 1.8 V)

DC-DC2 starts and outputs 1.8 V at 7.5 ms delay after UVLO is released. DC-DC2 has the same soft-start function as DC-DC1 and starts, preventing rush current and overshoot.

DC-DC2 stops because UVLO detects. When EN pin shifts to Low, an output pin (FB2) is terminated with a resistor.

- BUF (Output voltage : 0.9 V)

BUF pin outputs 0.9 V at 8.5 ms delay after UVLO is released. BUF starts, preventing rush current and overshoot.

BUF stops because UVLO detects. BUF is terminated with a resistor when EN pin shifts to Low.

OPERATION (Continued)

3. Protection

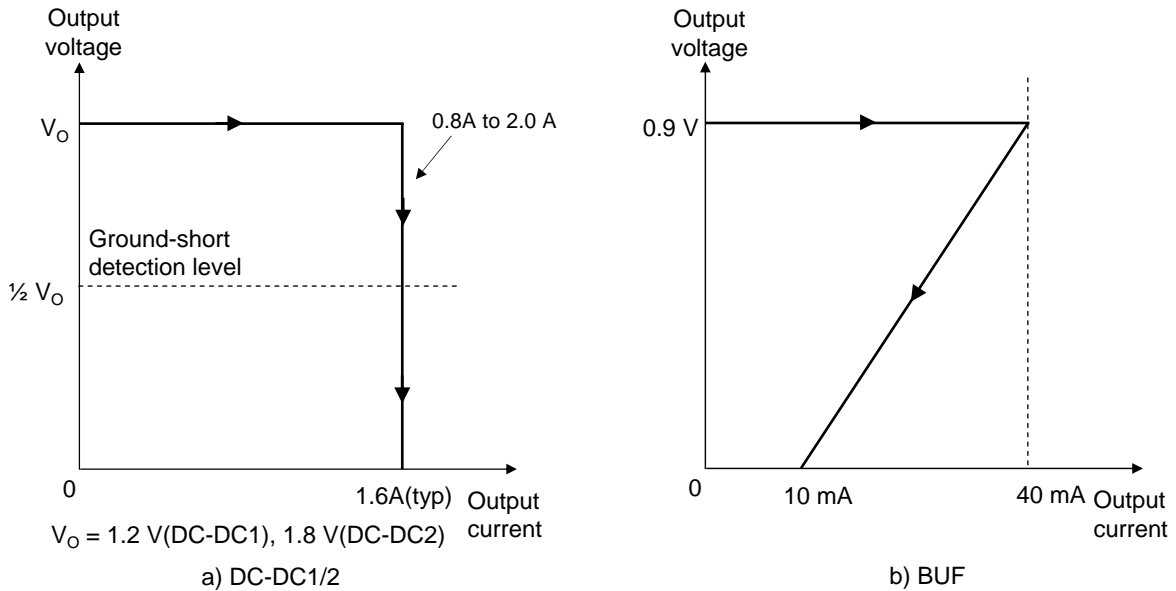
Note) The characteristics listed below are reference values derived from the design of the IC and are not guaranteed.

Ground-short protection function

DC-DC1 and DC-DC2 have ground-short detection circuits respectively. When output voltage falls to 50% or lower of target value (DC-DC1 : 0.6 V, DC-DC2 : 0.9 V), it shifts to the protection sequence shown in [3.Protection]. However, even if BUF pin shorts to GND, BUF does not shift to the protection sequence.

Over-current limit function

DC-DC1, DC-DC2 and BUF have over-current limit circuits respectively. This function limits the output current which exceeds the setup value. The over-current limit characteristics are as follows.



The output currents of DC-DC1 and DC-DC2 are limited to 1.6 A(typ) regardless of the output voltage. BUF has limit characteristics, which the output current decreases as the output voltage falls. The peak input current is 40 mA(typ). The input current at BUF = 0 V is 10 mA(typ).

OPERATION (Continued)

3. Protection

Note) The characteristics listed below are reference values derived from the design of the IC and are not guaranteed.

Protection sequence

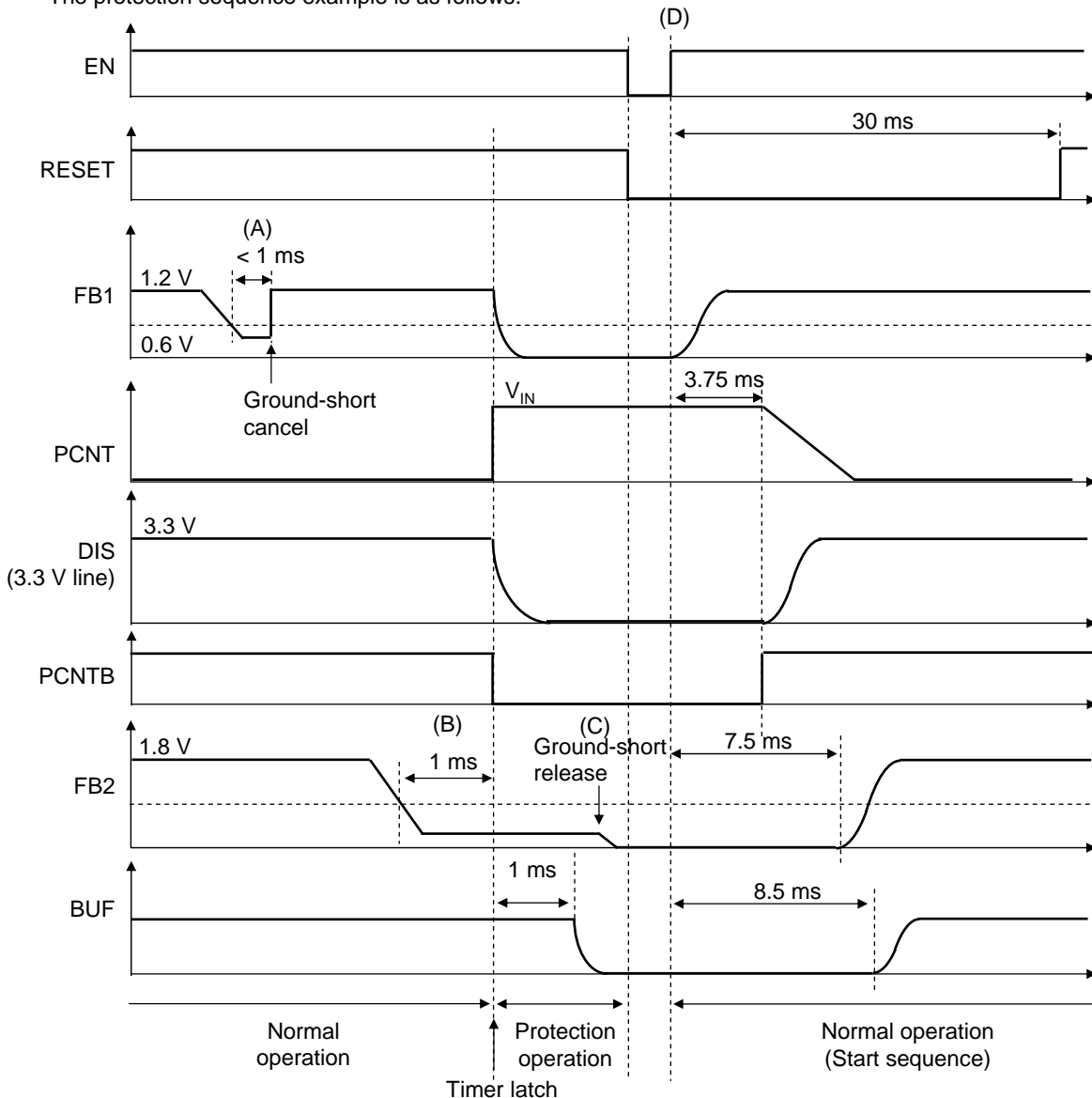
When the following state continues for 1 ms(typ), AN30181A shifts to the protection sequence.

- Any of DCDC1 and DCDC2 shorts to GND. (Output voltage is 50% or lower of target value.)
- TSD circuit detects abnormal state.

When this LSI shifts to the protection sequence, it is latched to the state at which each function is shut down.

It recovers from the protection sequence by applying to EN pin again or releasing UVLO again.

The protection sequence example is as follows.



In (A) of the following figure, DCDC1 output shorts to GND. However, this LSI doesn't shift to protection sequence because the term of ground-short is 1 ms or shorter.

In (B) of the following figure, DCDC2 output shorts to GND. After ground-short state continues for 1 ms, this LSI shifts to protection sequence, DCDC1, DCDC2, external Pch-MOSFET gate drive circuits and BUF shift to OFF state, and BUF shifts to OFF state after another 1 ms and are latched.

Even if ground-short is released, the operation of each circuit does not recover (C).

During the protection sequence, RESET pin is not set to Low.

In (D) of the following figure, they recover to normal start sequence after EN is input again.

OPERATION (Continued)

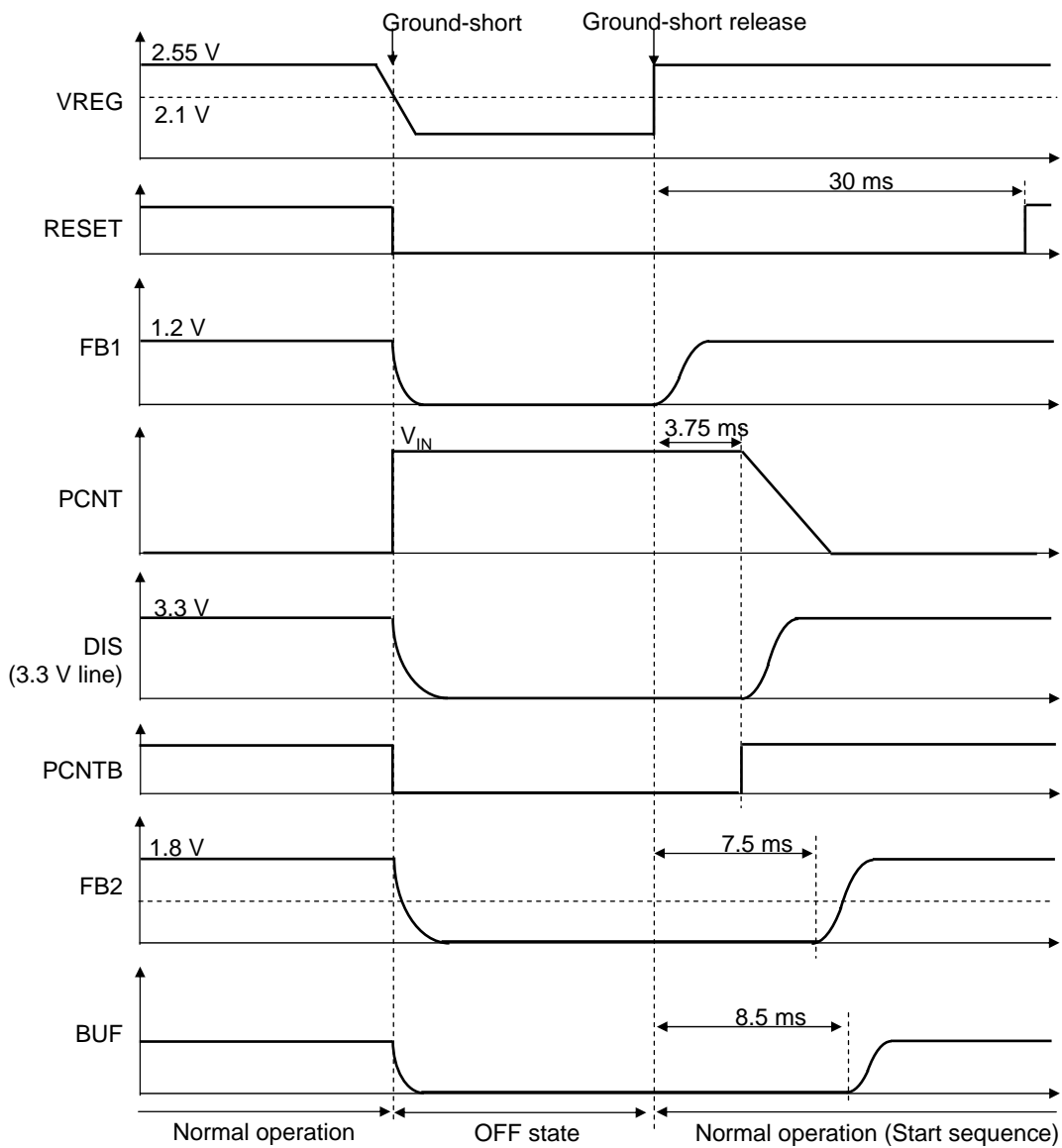
3. Protection

Note) The characteristics listed below are reference values derived from the design of the IC and are not guaranteed.

VREG pin ground-short operation

VREG pin is an output pin of LDO used in internal circuits. The operation of each function stops just after VREG pin is shorted to GND. Since each function is not latched unlike the case of [3.Protection : Protection sequence], it recovers by the release of ground-short.

The operation is as follows.

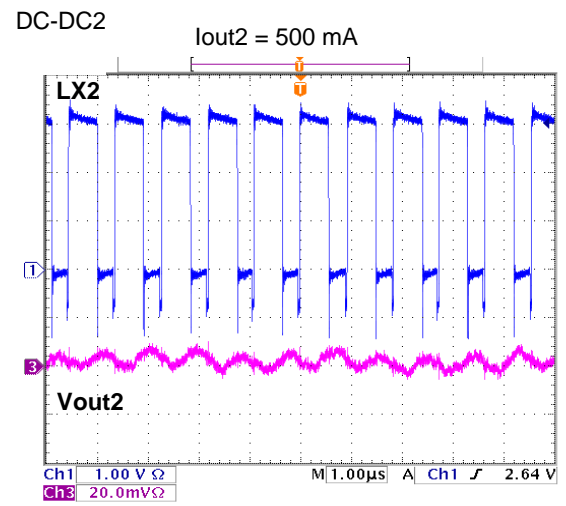
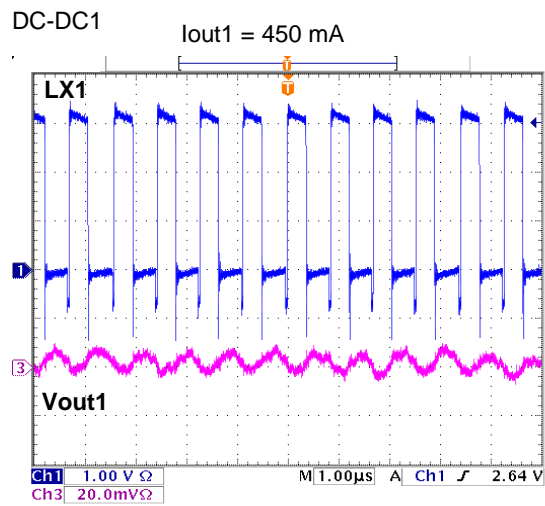
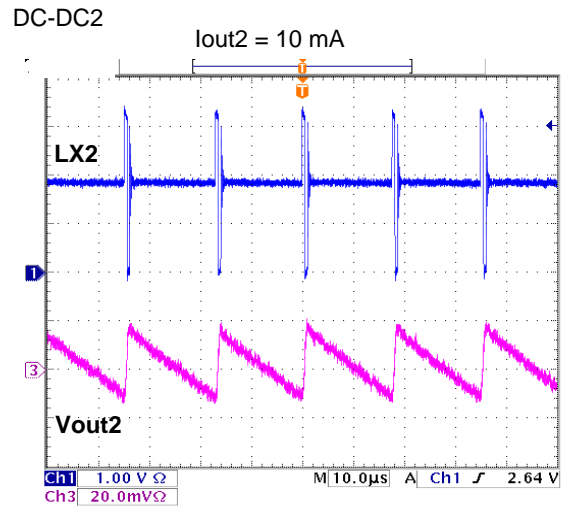
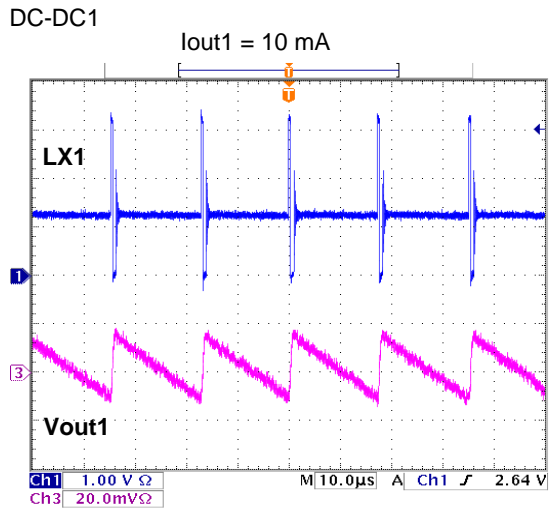




TYPICAL CHARACTERISTICS CURVES

(1) Output ripple voltage

VIN = 3.3 V , Cout = 10  $\mu$ F ( GRM21BB31A106K[Murata] ) , Lout = 2.2  $\mu$ H ( NR3012T2R2M[Taiyo Yuden] )

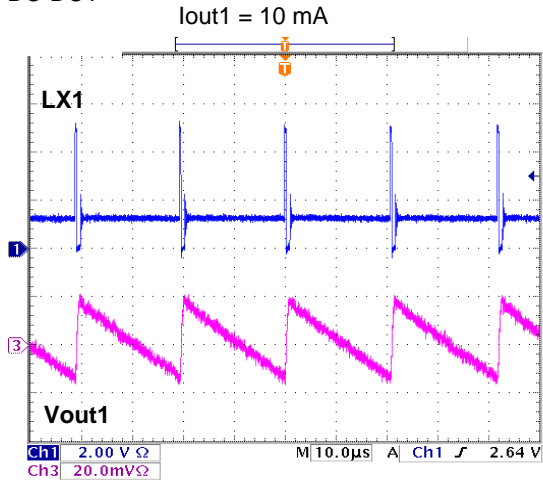


TYPICAL CHARACTERISTICS CURVES (Continued)

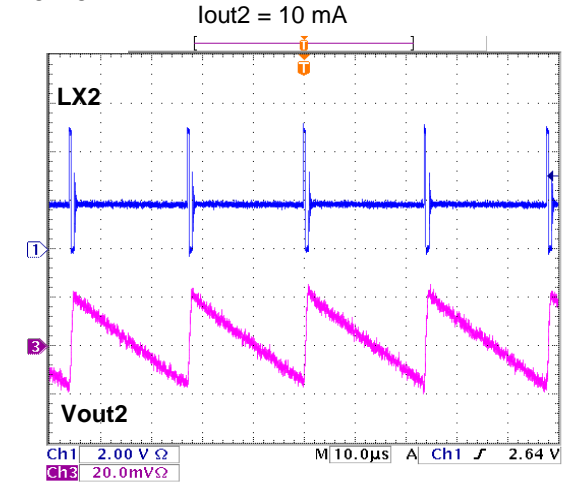
(1) Output ripple voltage

VIN = 5.0 V , Cout = 10  $\mu$ F ( GRM21BB31A106K[Murata] ) , Lout = 2.2  $\mu$ H ( NR3012T2R2M[Taiyo Yuden] )

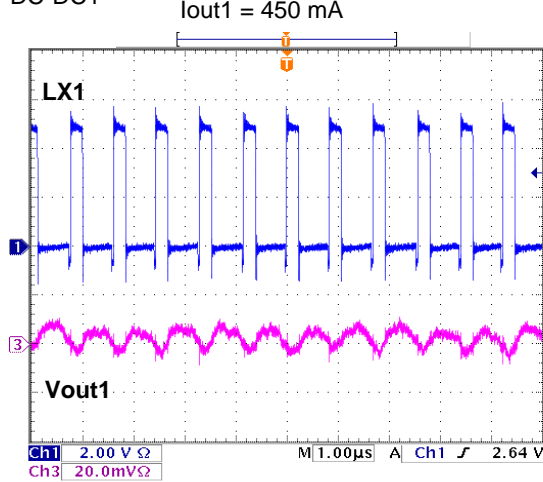
DC-DC1



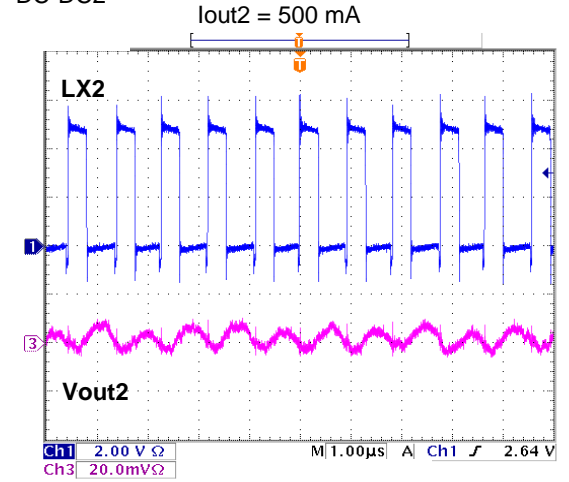
DC-DC2



DC-DC1



DC-DC2

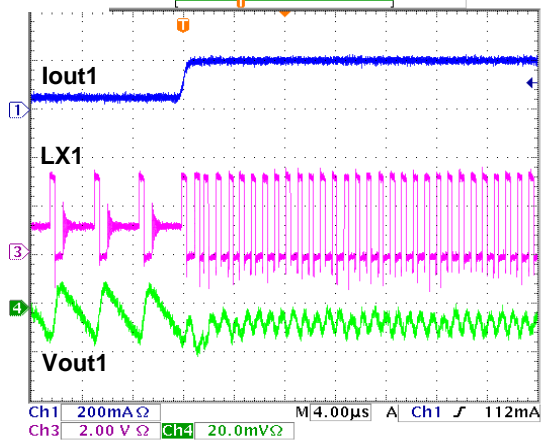


TYPICAL CHARACTERISTICS CURVES (Continued)

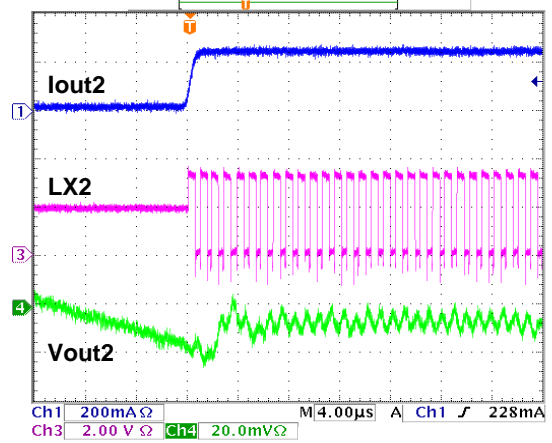
(2) Load transient response

VIN = 3.3 V , Cout = 10  $\mu$ F ( GRM21BB31A106K[Murata] ) , Lout = 2.2  $\mu$ H ( NR3012T2R2M[Taiyo Yuden] )

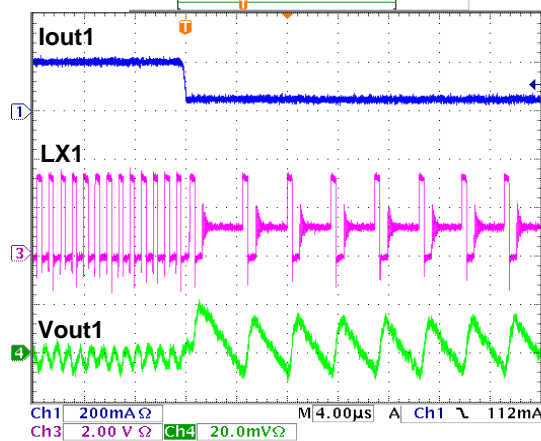
DC-DC1 lout1 = 50 mA to 200 mA ,  $\Delta t = 1 \mu$ sec



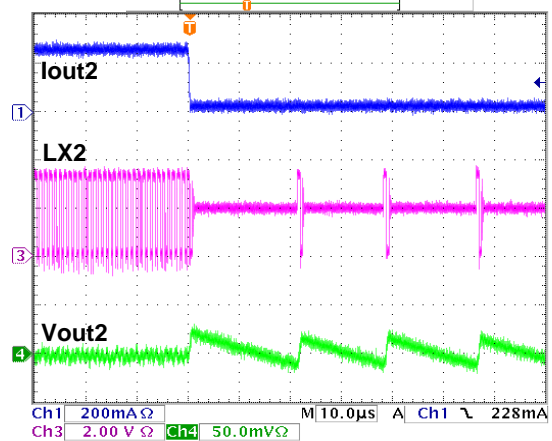
DC-DC2 lout2 = 10 mA to 250 mA ,  $\Delta t = 1 \mu$ sec



DC-DC1 lout1 = 200 mA to 50 mA ,  $\Delta t = 1 \mu$ sec



DC-DC2 lout2 = 250 mA to 10 mA ,  $\Delta t = 1 \mu$ sec

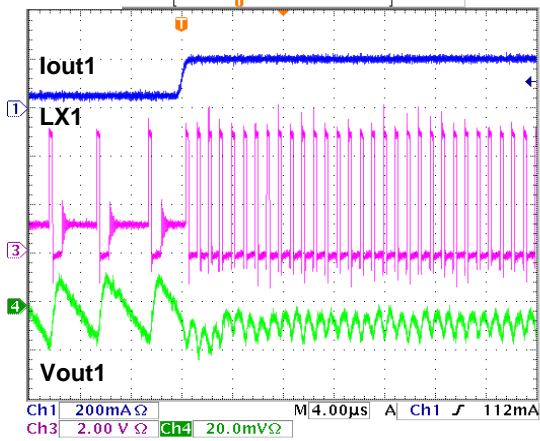


TYPICAL CHARACTERISTICS CURVES (Continued)

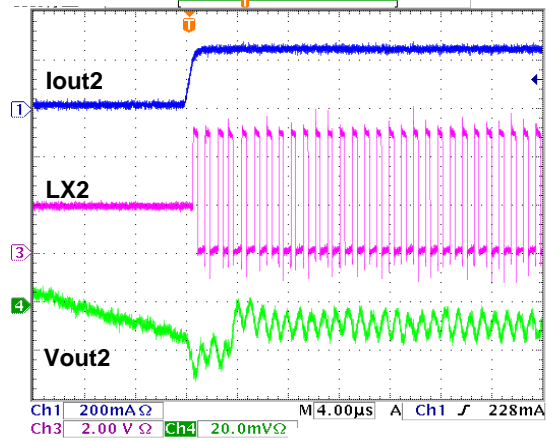
(2) Load transient response

VIN = 5.0 V , Cout = 10  $\mu$ F ( GRM21BB31A106K[Murata] ) , Lout = 2.2  $\mu$ H ( NR3012T2R2M[Taiyo Yuden] )

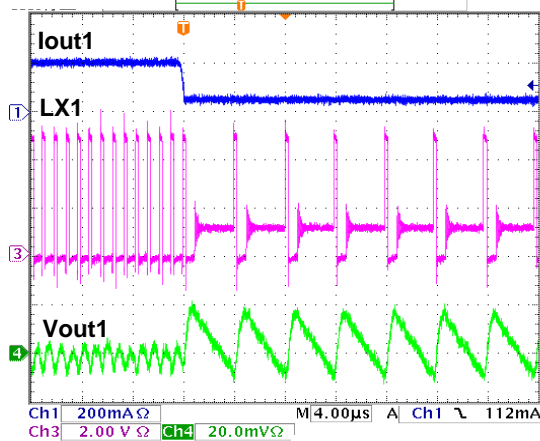
DC-DC1 Iout1 = 50 mA to 200 mA ,  $\Delta t = 1 \mu$ sec



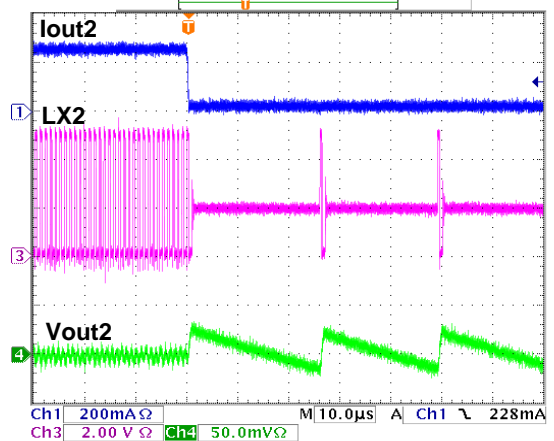
DC-DC2 Iout2 = 10 mA to 250 mA ,  $\Delta t = 1 \mu$ sec



DC-DC1 Iout1 = 200 mA to 50 mA ,  $\Delta t = 1 \mu$ sec



DC-DC2 Iout2 = 250 mA to 10 mA ,  $\Delta t = 1 \mu$ sec

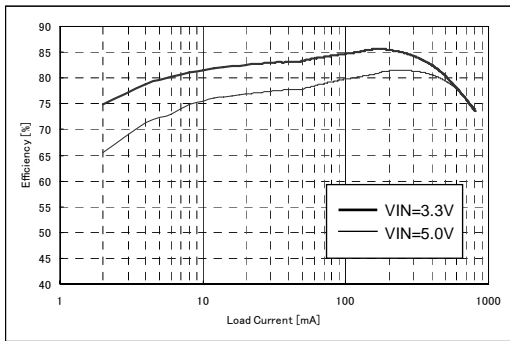


TYPICAL CHARACTERISTICS CURVES (Continued)

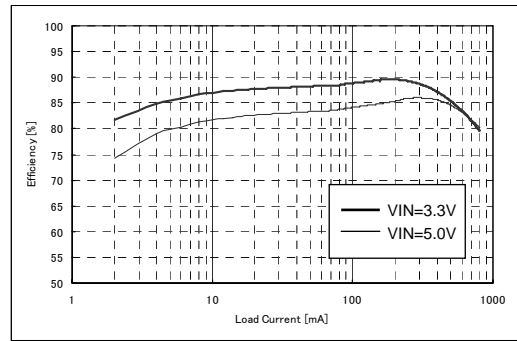
(3) Efficiency

VIN = 3.3 V or 5.0 V , Cout = 10 μF ( GRM21BB31A106K[Murata] ) , Lout = 2.2 μH ( NR3012T2R2M[Taiyo Yuden] )

DC-DC1



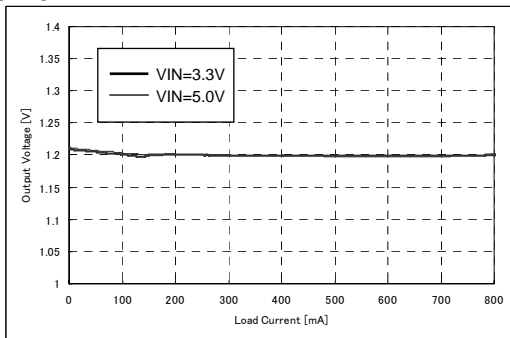
DC-DC2



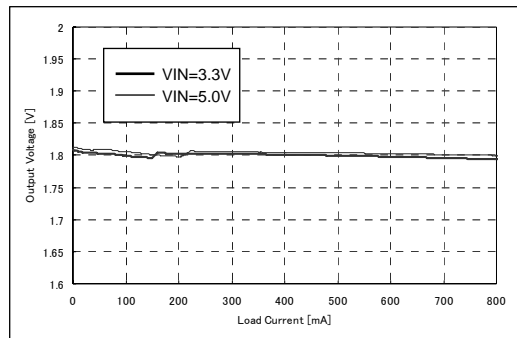
(4) Load regulation

VIN = 3.3 V or 5.0 V , Cout = 10 μF ( GRM21BB31A106K[Murata] ) , Lout = 2.2 μH ( NR3012T2R2M[Taiyo Yuden] )

DC-DC1



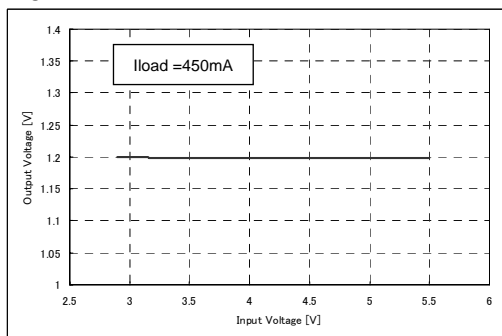
DC-DC2



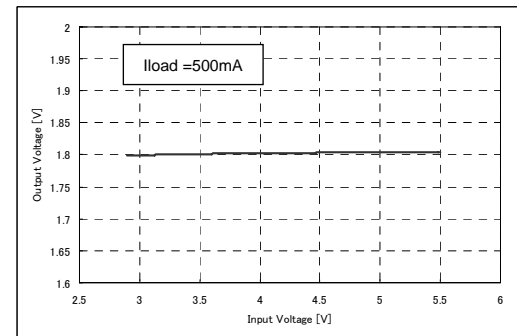
(5) Line regulation

Cout = 10 μF ( GRM21BB31A106K[Murata] ) , Lout = 2.2 μH ( NR3012T2R2M[Taiyo Yuden] )

DC-DC1

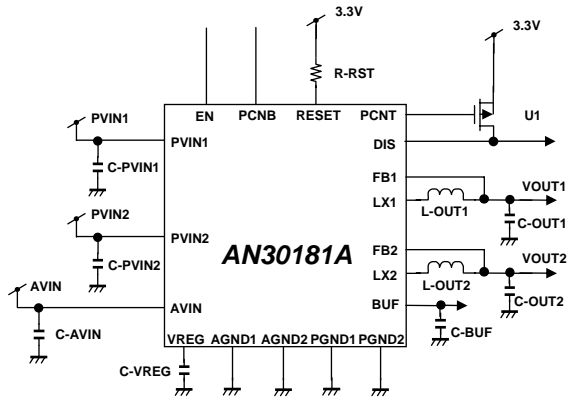


DC-DC2



**APPLICATIONS INFORMATION**

**1. Application circuit**



**2. Layout of Evaluation Board**

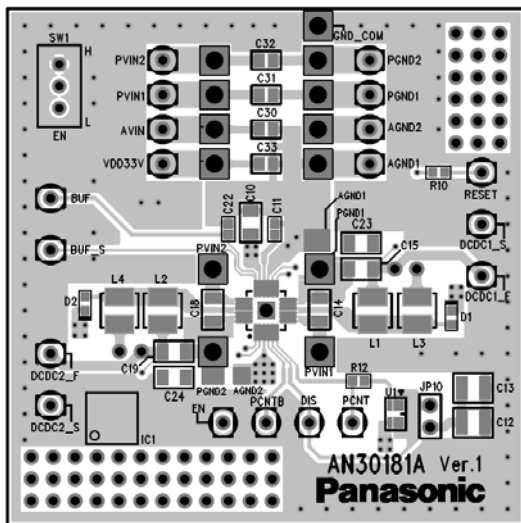


Figure : Top Layer with silk screen  
( Top View ) with Evaluation board

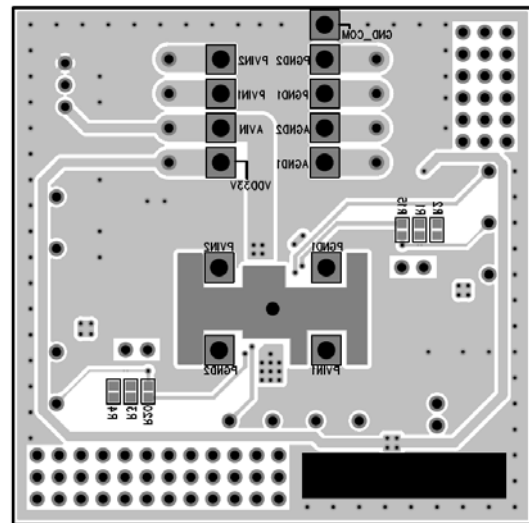


Figure : Bottom Layer with silk screen  
( Bottom View ) with Evaluation board

Notes) This application circuit and layout is an example. The operation of mass production set is not guaranteed. You should perform enough evaluation and verification on the design of mass production set. You are fully responsible for the incorporation of the above application circuit and information in the design of your equipment.

**APPLICATIONS INFORMATION (Continued)**

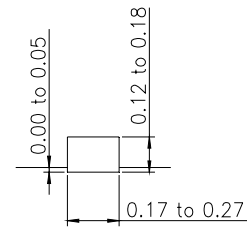
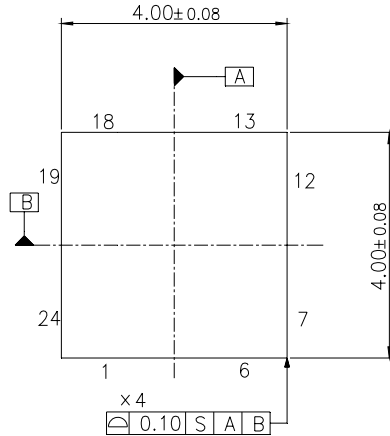
**3. Recommended Component**

Reference Designator	QTY	Value	Manufacturer	Part Number
C-PVIN1	1	4.7 $\mu$ F	Murata	GRM21BB31A475KA74L
C-PVIN2	1	4.7 $\mu$ F	Murata	GRM21BB31A475KA74L
CAVIN	1	4.7 $\mu$ F	Murata	GRM21BB31A475KA74L
C-VREG	1	1 $\mu$ F	Murata	GRM155B31A105KE15D
C-BUF	1	1 $\mu$ F	Murata	GRM155B31A105KE15D
C-VOUT1	1	10 $\mu$ F	Murata	GRM21BB31A106KE18L
C-VOUT2	1	10 $\mu$ F	Murata	GRM21BB31A106KE18L
L-OUT1	1	2.2 $\mu$ H	TAIYO YUDEN	NR3012T2R2M
L-OUT2	1	2.2 $\mu$ H	TAIYO YUDEN	NR3012T2R2M
U1	1	—	Panasonic	MTM76111
R-RST	1	10 K $\Omega$	Panasonic	ERA3ARW103V

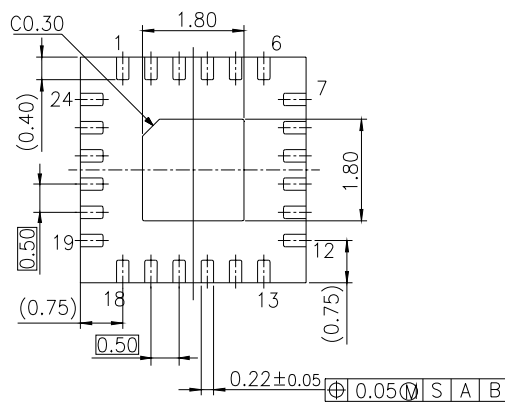
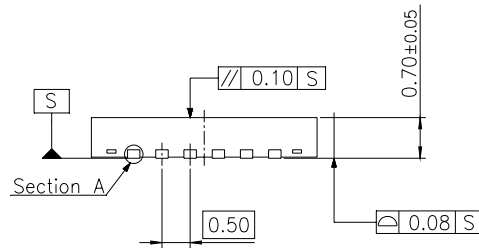
PACKAGE INFORMATION (Reference Data)

Package Code : HQFN024-P-0404

Unit:mm



Section A (Reference value)



Body Material	: Br / Sb Free Epoxy Resin
Lead Material	: Cu Alloy
Lead Finish Method	: Au Plating



**IMPORTANT NOTICE**

1. The products and product specifications described in this book are subject to change without notice for modification and/or improvement. At the final stage of your design, purchasing, or use of the products, therefore, ask for the most up-to-date Product Standards in advance to make sure that the latest specifications satisfy your requirements.
2. When using the LSI for new models, verify the safety including the long-term reliability for each product.
3. When the application system is designed by using this LSI, be sure to confirm notes in this book.  
Be sure to read the notes to descriptions and the usage notes in the book.
4. The technical information described in this book is intended only to show the main characteristics and application circuit examples of the products. No license is granted in and to any intellectual property right or other right owned by Panasonic Corporation or any other company. Therefore, no responsibility is assumed by our company as to the infringement upon any such right owned by any other company which may arise as a result of the use of technical information de-scribed in this book.
5. This book may be not reprinted or reproduced whether wholly or partially, without the prior written permission of our company.
6. This LSI is intended to be used for general electronic equipment.  
Consult our sales staff in advance for information on the following applications: Special applications in which exceptional quality and reliability are required, or if the failure or malfunction of this LSI may directly jeopardize life or harm the human body.  
Any applications other than the standard applications intended.  
  - (1) Space appliance (such as artificial satellite, and rocket)
  - (2) Traffic control equipment (such as for automobile, airplane, train, and ship)
  - (3) Medical equipment for life support
  - (4) Submarine transponder
  - (5) Control equipment for power plant
  - (6) Disaster prevention and security device
  - (7) Weapon
  - (8) Others : Applications of which reliability equivalent to (1) to (7) is required
 It is to be understood that our company shall not be held responsible for any damage incurred as a result of or in connection with your using the LSI described in this book for any special application, unless our company agrees to your using the LSI in this book for any special application.
7. This LSI is neither designed nor intended for use in automotive applications or environments unless the specific product is designated by our company as compliant with the ISO/TS 16949 requirements.  
Our company shall not be held responsible for any damage incurred by you or any third party as a result of or in connection with your using the LSI in automotive application, unless our company agrees to your using the LSI in this book for such application.
8. If any of the products or technical information described in this book is to be exported or provided to non-residents, the laws and regulations of the exporting country, especially, those with regard to security export control, must be observed.
9. Please use this product in compliance with all applicable laws and regulations that regulate the inclusion or use of controlled substances, including without limitation, the EU RoHS Directive.  
Our company shall not be held responsible for any damage incurred as a result of your using the LSI not complying with the applicable laws and regulations.

---

**USAGE NOTES**

1. When designing your equipment, comply with the range of absolute maximum rating and the guaranteed operating conditions (operating power supply voltage and operating environment etc.). Especially, please be careful not to exceed the range of absolute maximum rating on the transient state, such as power-on, power-off and mode-switching. Otherwise, we will not be liable for any defect which may arise later in your equipment.

Even when the products are used within the guaranteed values, take into the consideration of incidence of break down and failure mode, possible to occur to semiconductor products. Measures on the systems such as redundant design, arresting the spread of fire or preventing glitch are recommended in order to prevent physical injury, fire, social damages, for example, by using the products.

2. Comply with the instructions for use in order to prevent breakdown and characteristics change due to external factors (ESD, EOS, thermal stress and mechanical stress) at the time of handling, mounting or at customer's process. When using products for which damp-proof packing is required, satisfy the conditions, such as shelf life and the elapsed time since first opening the packages.
3. Pay attention to the direction of LSI. When mounting it in the wrong direction onto the PCB (printed-circuit-board), it might smoke or ignite.
4. Pay attention in the PCB (printed-circuit-board) pattern layout in order to prevent damage due to short circuit between pins. In addition, refer to the Pin Description for the pin configuration.
5. Perform a visual inspection on the PCB before applying power, otherwise damage might happen due to problems such as a solder-bridge between the pins of the semiconductor device. Also, perform a full technical verification on the assembly quality, because the same damage possibly can happen due to conductive substances, such as solder ball, that adhere to the LSI during transportation.
6. Take notice in the use of this product that it might break or occasionally smoke when an abnormal state occurs such as output pin-VCC short (Power supply fault), output pin-GND short (Ground fault), or output-to-output-pin short (load short) .

And, safety measures such as an installation of fuses are recommended because the extent of the above-mentioned damage and smoke emission will depend on the current capability of the power supply.

7. The protection circuit is for maintaining safety against abnormal operation. Therefore, the protection circuit should not work during normal operation.  
  
Especially for the thermal protection circuit, if the area of safe operation or the absolute maximum rating is momentarily exceeded due to output pin to VCC short (Power supply fault), or output pin to GND short (Ground fault), the LSI might be damaged before the thermal protection circuit could operate.
8. Unless specified in the product specifications, make sure that negative voltage or excessive voltage are not applied to the pins because the device might be damaged, which could happen due to negative voltage or excessive voltage generated during the ON and OFF timing when the inductive load of a motor coil or actuator coils of optical pick-up is being driven.
9. The product which has specified ASO (Area of Safe Operation) should be operated in ASO
10. Verify the risks which might be caused by the malfunctions of external components.
11. Connect the metallic plates on the back side of the LSI with their respective potentials (AGND, PVIN, LX). The thermal resistance and the electrical characteristics are guaranteed only when the metallic plates are connected with their respective potentials.

## Request for your special attention and precautions in using the technical information and semiconductors described in this book

- (1) If any of the products or technical information described in this book is to be exported or provided to non-residents, the laws and regulations of the exporting country, especially, those with regard to security export control, must be observed.
- (2) The technical information described in this book is intended only to show the main characteristics and application circuit examples of the products. No license is granted in and to any intellectual property right or other right owned by Panasonic Corporation or any other company. Therefore, no responsibility is assumed by our company as to the infringement upon any such right owned by any other company which may arise as a result of the use of technical information described in this book.
- (3) The products described in this book are intended to be used for general applications (such as office equipment, communications equipment, measuring instruments and household appliances), or for specific applications as expressly stated in this book.  
Consult our sales staff in advance for information on the following applications:
  - Special applications (such as for airplanes, aerospace, automotive equipment, traffic signaling equipment, combustion equipment, life support systems and safety devices) in which exceptional quality and reliability are required, or if the failure or malfunction of the products may directly jeopardize life or harm the human body.It is to be understood that our company shall not be held responsible for any damage incurred as a result of or in connection with your using the products described in this book for any special application, unless our company agrees to your using the products in this book for any special application.
- (4) The products and product specifications described in this book are subject to change without notice for modification and/or improvement. At the final stage of your design, purchasing, or use of the products, therefore, ask for the most up-to-date Product Standards in advance to make sure that the latest specifications satisfy your requirements.
- (5) When designing your equipment, comply with the range of absolute maximum rating and the guaranteed operating conditions (operating power supply voltage and operating environment etc.). Especially, please be careful not to exceed the range of absolute maximum rating on the transient state, such as power-on, power-off and mode-switching. Otherwise, we will not be liable for any defect which may arise later in your equipment.  
Even when the products are used within the guaranteed values, take into the consideration of incidence of break down and failure mode, possible to occur to semiconductor products. Measures on the systems such as redundant design, arresting the spread of fire or preventing glitch are recommended in order to prevent physical injury, fire, social damages, for example, by using the products.
- (6) Comply with the instructions for use in order to prevent breakdown and characteristics change due to external factors (ESD, EOS, thermal stress and mechanical stress) at the time of handling, mounting or at customer's process. When using products for which damp-proof packing is required, satisfy the conditions, such as shelf life and the elapsed time since first opening the packages.
- (7) This book may be not reprinted or reproduced whether wholly or partially, without the prior written permission of our company.

20100202

单击下面可查看定价，库存，交付和生命周期等信息

[>>Panasonic\(松下\)](#)