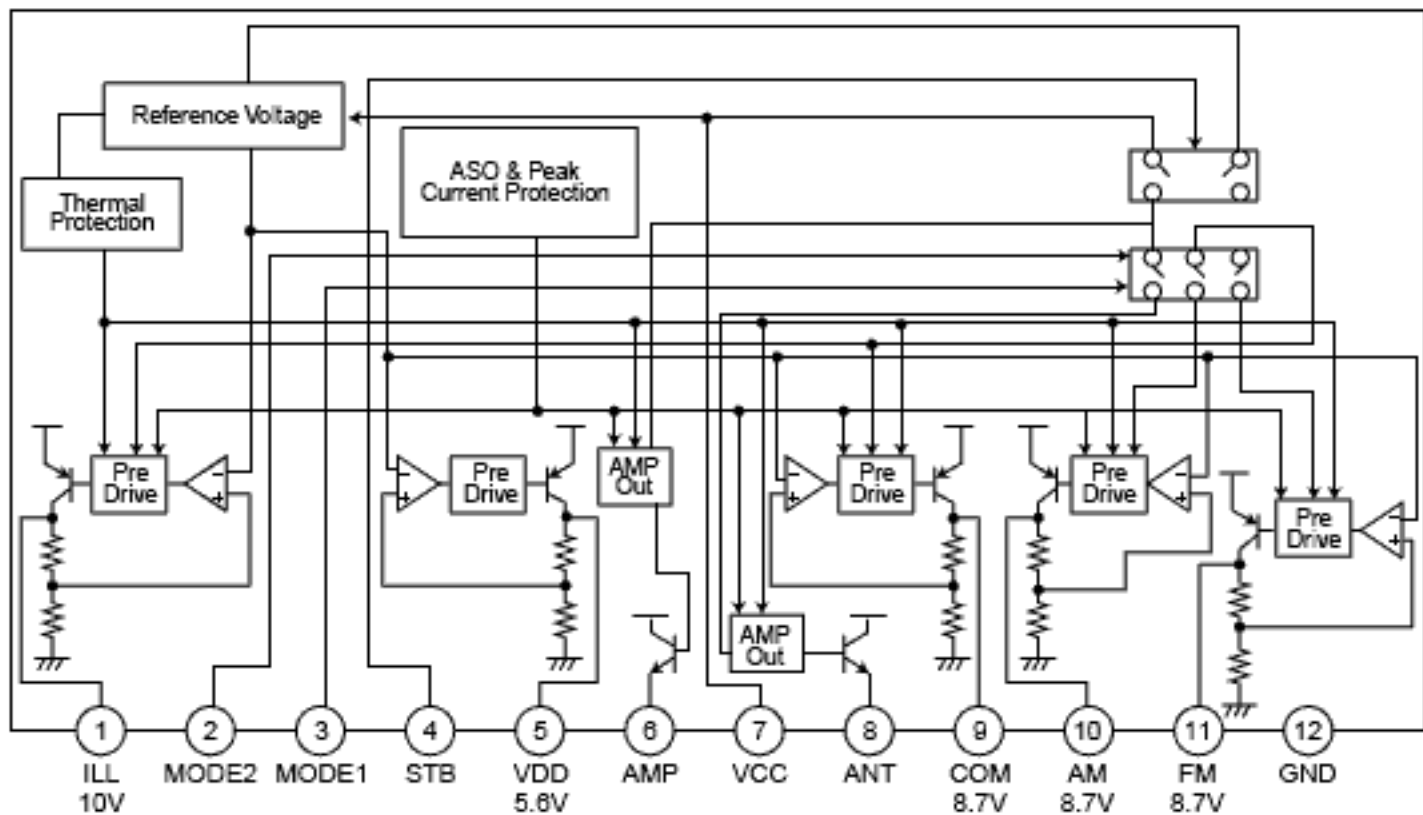


■ AN80T05LF (IC901) : Regulator

1. Terminal layout & Block diagram



2. Pin function

Pin No.	Symbol	Function
1	ILL	10V power supply for illumination.
2	MODE2	When 5V is input, becomes AM. and the antenna output is turned on.
3	MODE1	When 5V is input, becomes AM. and the output of FM is switched.
4	STB	When 5V is input, outputs to ILL, COM, and AMP. It is 0V usually.
5	VDD	5.6V power supply.
6	AMP	Power supply supply to remote amplifier
7	VCC	Back up. connects with ACC with it.
8	ANT	Power supply supply to auto antenna.
9	COM	8.7V power supply.
10	AM	The power supply of 8.7V to AM.
11	FM	The power supply of 8.7V to FM.
12	GND	Ground

单击下面可查看定价，库存，交付和生命周期等信息

[>>Panasonic\(松下\)](#)