

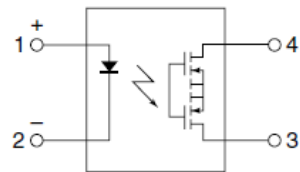
New Product Introduction

June 27, 2011

AQY221R2T:
New VSSOP PhotoMOS[®] Relays with Smallest Footprint Available

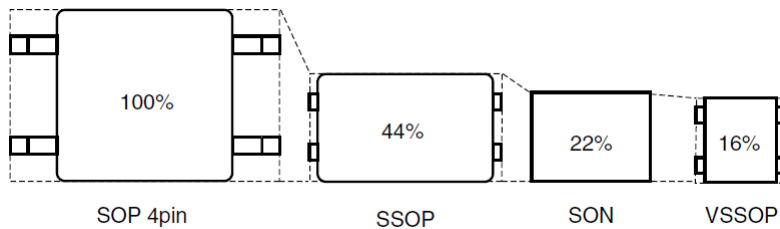


mm inch



1. Features:

- 4.6 mm² mounting area. Smallest in our line-up.**
29% mounting area reduction from SON type, which contributes to device miniaturization and higher density mounting.



- Low on resistance and low on output capacitance available at CxR10.**

 - Output capacitance (Cout): 14 pF (typical)
 - On resistance (Ron): 0.8Ω (typical)

2. Applications:

- **Measuring and testing equipment**
IC tester, Probe card, Board tester and other testing equipment
- **Telecommunication equipment**

3. Release Schedule: June 2011

4. Ordering Information:

TYPES

Type		Output rating*1		Part No. (Tape and reel packing style)*2		Packing quantity in the tape and reel
		Load voltage	Load current	Picked from the 1 and 4-pin side	Picked from the 2 and 3-pin side	
AC/DC type	Low on resistance (R type)	40 V	250 mA	AQY221R2TY	AQY221R2TW	1,000 pcs.

Notes: *1 Indicate the peak AC and DC values.

*2 Only tape and reel package is available.

For space reasons, only "1R2" is marked on the product as the part number.

5. Technical Information: Please refer to attached datasheet for details.

RATING

1. Absolute maximum ratings (Ambient temperature: 25°C 77°F)

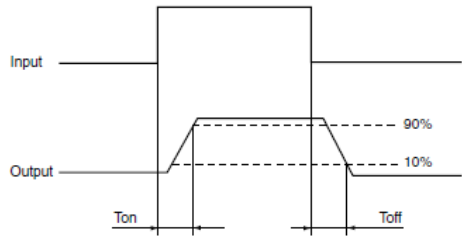
Item		Symbol	AQY221R2T	Remarks
Input side	LED forward current	I _F	50 mA	
	LED reverse voltage	V _R	5 V	
	Peak forward current	I _{FP}	1 A	f = 100 Hz, Duty factor = 0.1%
	Power dissipation	P _{in}	75 mW	
Output side	Load voltage (peak AC)	V _L	40 V	
	Continuous load current	I _L	0.25 A	Peak AC, DC
	Peak load current	I _{peak}	0.75 A	100 ms (1shot), V _L = DC
	Power dissipation	P _{out}	250 mW	
Total power dissipation		P _T	300 mW	
I/O isolation voltage		V _{iso}	200 V AC	
Operating temperature		T _{opr}	-40°C to +85°C -40°F to +185°F	Non-condensing at low temperatures
Storage temperature		T _{stg}	-40°C to +100°C -40°F to +212°F	

2. Electrical characteristics (Ambient temperature: 25°C 77°F)

Item		Symbol	AQY221R2T	Condition
Input	LED operate current	Typical	0.5 mA	I _L = Max.
		Maximum	3 mA	
	LED turn off current	Minimum	0.1 mA	I _L = Max.
		Typical	0.4 mA	
LED dropout voltage	Typical	1.14 V	I _F = 5 mA	
	Maximum	1.5 V		
Output	On resistance	Typical	0.8 Ω	I _F = 5 mA, I _L = Max.
		Maximum	1.25 Ω	
	Output capacitance	Typical	14 pF	I _F = 0 mA, f = 1 MHz, V _B = 0 V
		Maximum	18 pF	
Off state leakage current	Typical	0.02 nA	I _F = 0 mA, V _L = Max.	
	Maximum	10 nA		
Transfer characteristics	Turn on time*	Typical	0.1 ms	I _F = 5 mA, V _L = 10 V, R _L = 40 Ω
		Maximum	0.5 ms	
	Turn off time*	Typical	0.06 ms	I _F = 5 mA, V _L = 10 V, R _L = 40 Ω
		Maximum	0.2 ms	
	I/O capacitance	Typical	0.4 pF	f = 1 MHz, V _B = 0 V
		Maximum	1.5 pF	

Note: Please refer to the "Schematic and Wiring Diagrams" for connection method.

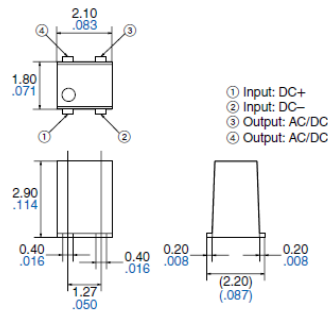
*Turn on/Turn off time



DIMENSIONS (mm inch)



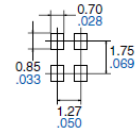
External dimensions



- ① Input: DC+
- ② Input: DC-
- ③ Output: AC/DC
- ④ Output: AC/DC

General tolerance: $\pm 0.1 \pm .004$

Recommended mounting pad (Top view)



Tolerance: $\pm 0.1 \pm .004$

SCHEMATIC AND WIRING DIAGRAMS

E_i: Power source at input side, I_F: LED forward current, V_L: Load voltage, I_L: Load current

Schematic	Output configuration	Load	Connection	Wiring diagram
	1 Form A	AC/DC	—	

Any questions, please contact your local Panasonic Electric Works Sales representatives.

Ref#: M-402

单击下面可查看定价，库存，交付和生命周期等信息

[>>Panasonic\(松下\)](#)