

### ESE13 Detector Switches

Type: **ESE13**



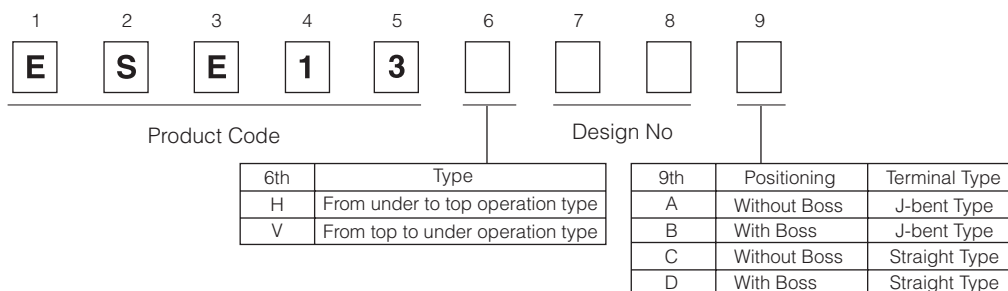
#### ■ Features

- Thin type : Height=1.2 mm
- Highly reliable contact
- SMD type (Embossed taping, Reflow soldering)

#### ■ Recommended Applications

- Detection of media in portable electronic equipment (Mobile phones / Digital still cameras / Camcorders)

#### ■ Explanation of Part Numbers

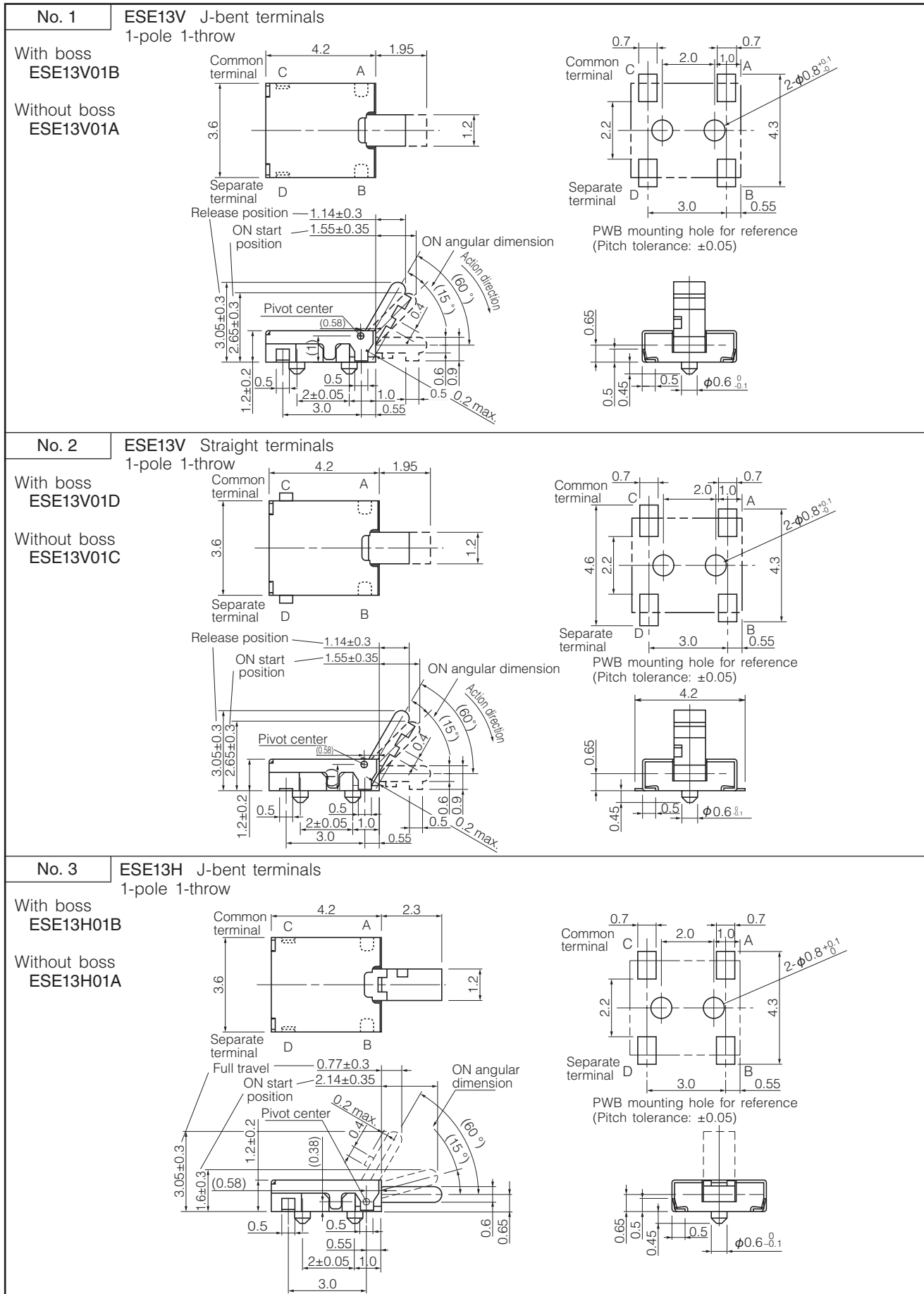


#### ■ Specifications

Rating	50 $\mu$ A 3 V DC to 10 mA 5 V DC (Resistive load)	
Contact Resistance	500 m $\Omega$ max. (Initial)	
Insulation Resistance	100 M $\Omega$ min. (at 100 V DC for 1 minute)	
Dielectric Withstanding Voltage	100 V AC (50 Hz or 60 Hz) for 1 minute	
Operating Force	300 mN max.	
Mounting Height	1.2 mm	
Poles and Throws	1-pole 1-throw	
Full Travel (Pushing distance)	ESE13 V Type : 2.15 mm (2.15 mm) ESE13 H Type : 3.05 mm (2.15 mm)	
Operating Life	50,000 cycles min.	
Temperature Range	-10 $^{\circ}$ C to +60 $^{\circ}$ C (Standard), -40 $^{\circ}$ C to +85 $^{\circ}$ C (Automotive)	
Heat Resistance	+70 $^{\circ}$ C for 96 hours	
Low Temperature Resistance	-25 $^{\circ}$ C for 96 hours	
Humidity Resistance	+40 $^{\circ}$ C 90 % to 95 % RH for 96 hours	
Minimum Quantity/Packing Unit	ESE13H	5,000 pcs. Embossed Taping (Reel Pack)
	ESE13V	3,000 pcs. Embossed Taping (Reel Pack)
Quantity/Carton	ESE13H	30,000 pcs.
	ESE13V	18,000 pcs.

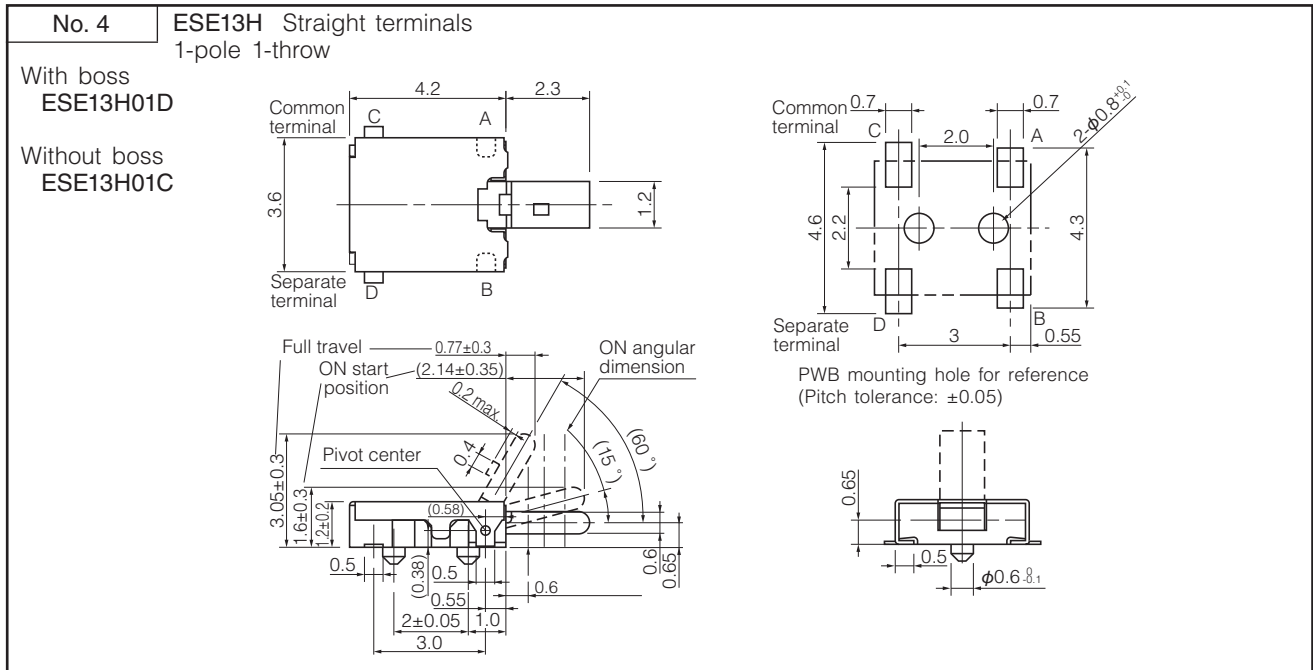
Design and specifications are each subject to change without notice. Ask factory for the current technical specifications before purchase and/or use.  
Should a safety concern arise regarding this product, please be sure to contact us immediately.

■ Dimensions in mm (not to scale)

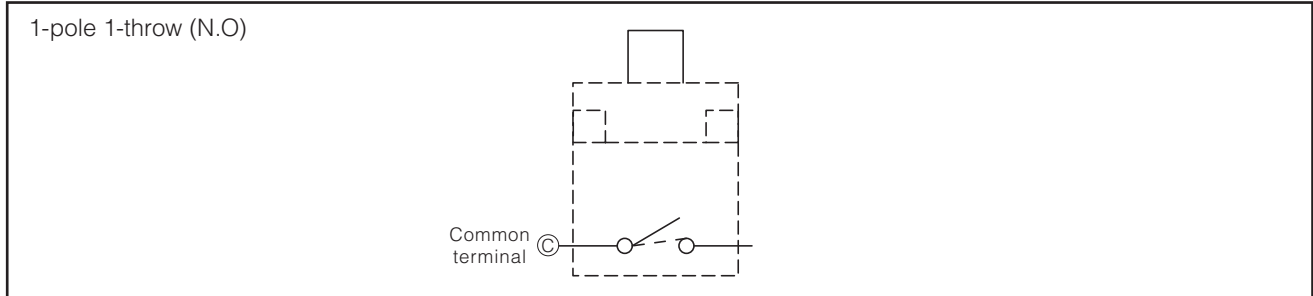


Design and specifications are each subject to change without notice. Ask factory for the current technical specifications before purchase and/or use.  
Should a safety concern arise regarding this product, please be sure to contact us immediately.

### ■ Dimensions in mm (not to scale)

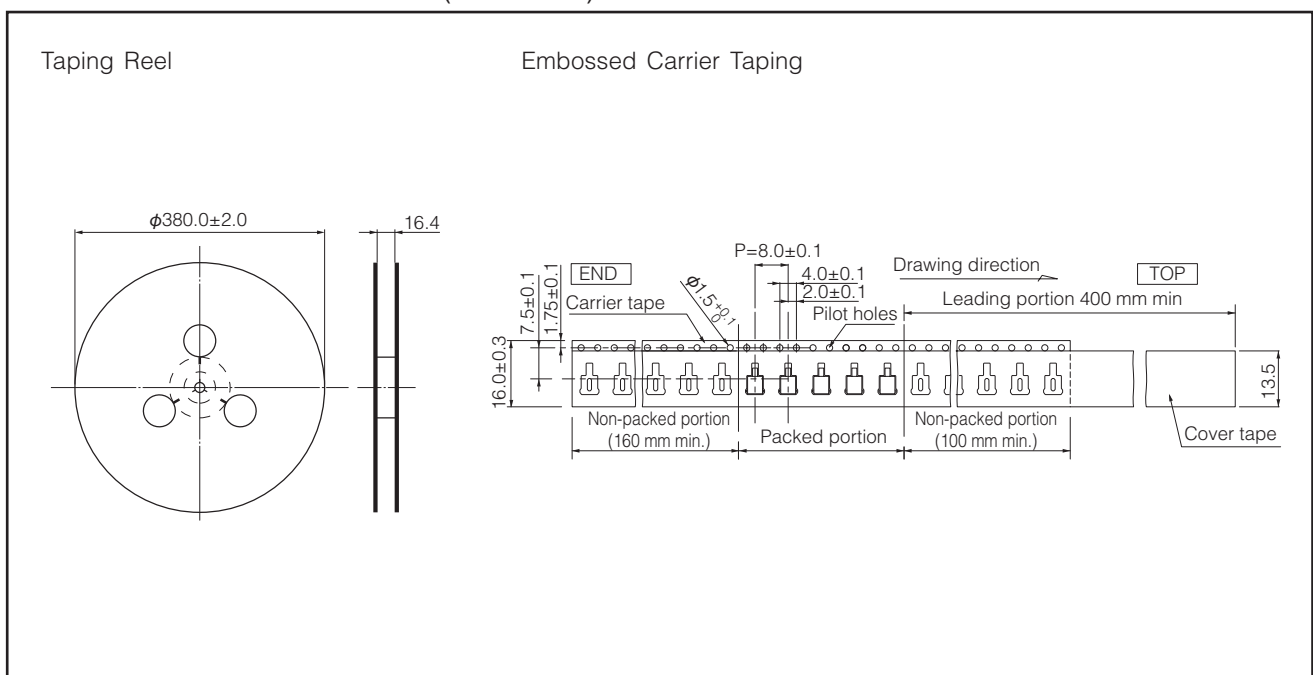


### ■ Circuit Diagram



### ■ Packaging Specifications

#### Standard Reel Dimensions in mm (not to scale)



Design and specifications are each subject to change without notice. Ask factory for the current technical specifications before purchase and/or use.  
Should a safety concern arise regarding this product, please be sure to contact us immediately.

单击下面可查看定价，库存，交付和生命周期等信息

[>>Panasonic\(松下\)](#)