

6mm Square Middle Travel SMD Light Touch Switch

Type: **EVPBF**



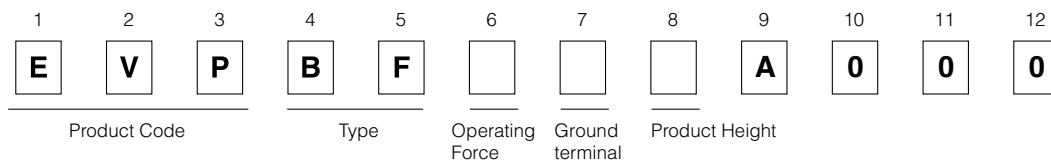
■ Features

- External dimensions : 6.0 mm×6.0 mm, Height 2.5 mm
(Excluding the push plate, Middle Travel)
- Middlestroke travel type

■ Recommended Applications

- Operating switches for other electronic equipment
- Operation switches for PC mouse
- Car audio systems
- Game

■ Explanation of Part Numbers



■ Specifications

Travel Type		Middlestroke Travel
Type		Snap action/Push-on type SPST
Electrical	Rating	10 μ A 2 V DC to 20 mA 15 V DC (Resistive load)
	Contact Resistance	500 m Ω max.
	Insulation Resistance	100 M Ω min. (at 100 V DC)
	Dielectric Withstanding Voltage	250 V AC for 1 minute
	Bouncing	10 ms max. (ON, OFF)
Mechanical	Operating Force	2.0 N, 3.5 N
	Travel	2.0 N : 0.25 mm, 3.5 N : 0.32 mm
Endurance	Operating Life	2.0 N : 1,000,000 cycles min. , 3.5 N : 100,000 cycles min.
Operating Temperature		-40 °C to +85 °C
Storage Temperature		-40 °C to +85 °C (Bulk) -20 °C to +60 °C (Taping)
Minimum Quantity/Packing Unit		3,000 pcs. Embossed Taping (Reel Pack)
Quantity/Carton		15,000 pcs.

Note: Non washable

Design and specifications are each subject to change without notice. Ask factory for the current technical specifications before purchase and/or use.
Should a safety concern arise regarding this product, please be sure to contact us immediately.

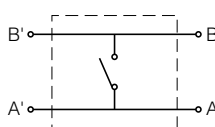
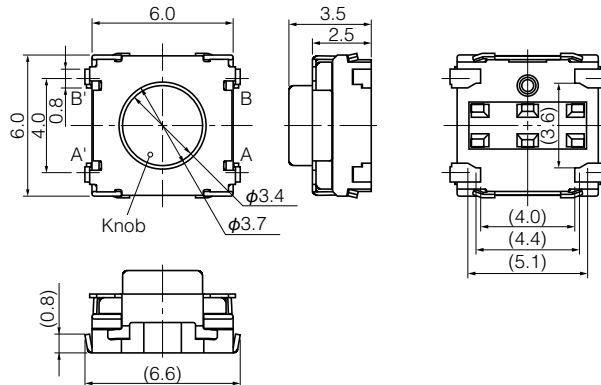
■ Dimensions in mm (not to scale)

EVPBF

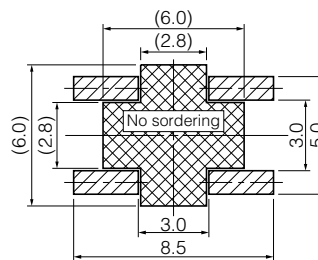
Middlestroke Travel
With J-bent terminals



General dimension tolerance : ± 0.2
() dimensions are reference dimensions.



Circuit Diagram



PWB land pattern for reference

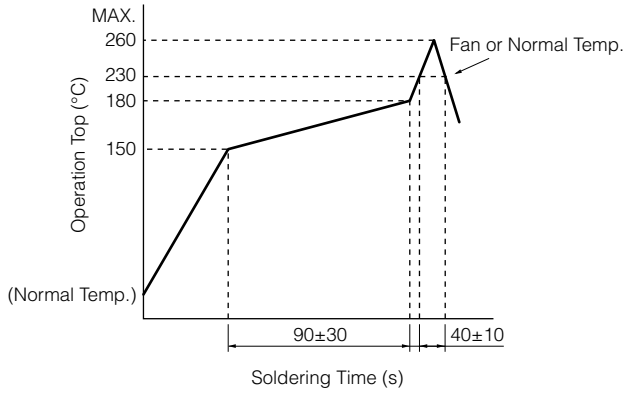
- : Recommended land pattern area.
- : No soldering area.

- Any land pattern or via holes shall not be provided at area.
- If it's necessary to design land pattern or via holes at area, please apply resist to them to protect their metal part completely.
- If their metal parts are not protected completely, short circuit failure may occur by solder ball.
- Beside, there should be convexoconcave by designing additional pattern, it may cause switch tilt, influence on solder-ability or flux intrusion after reflow soldering.
- Therefore, please study any influence of additional land pattern or via holes at area in advance.

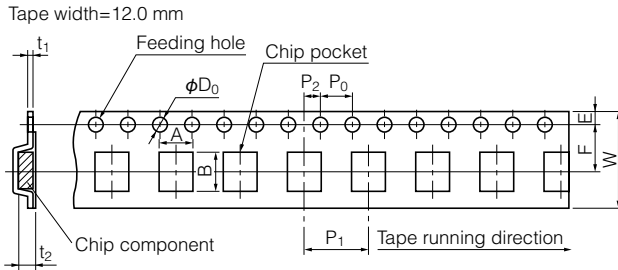
Part Numbers	Operating Force	Height	Push Plate Color	Ground Terminal	Operating Life
EVPBFAC1A000	2.0 N	3.5 mm	Gray	Without	1,000,000 cycles
EVPBF6C1A000	3.5 N	3.5 mm	Gray	Without	100,000 cycles

Design and specifications are each subject to change without notice. Ask factory for the current technical specifications before purchase and/or use.
Should a safety concern arise regarding this product, please be sure to contact us immediately.

■ Recommended Reflow Soldering Conditions



● Embossed Carrier Taping

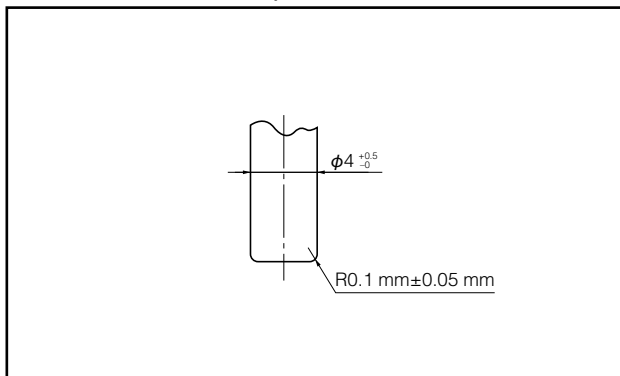


Taping condition : Lack of products in the middle of taping should be one MAX, but total quantity specified in the specifications should be secured.
 Peeling off strength of top tape : It should be within 0.2N to 1.0N at 165 degree in peeling off angle.
 Joint of carrier tape : One joint per one reel may exist.

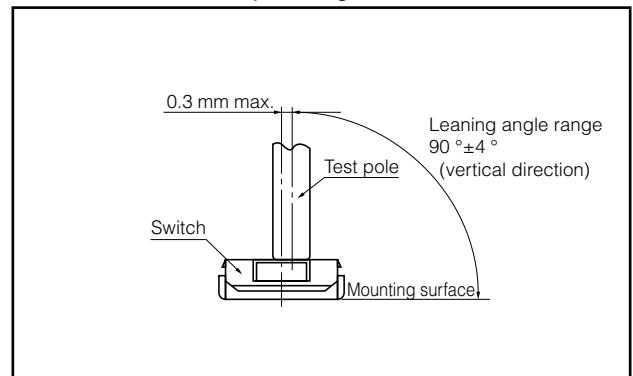
Unit: mm

Part No.	Height	A	B	W	F	E	P ₁	P ₂	P ₀	D ₀ Dia	t ₁	t ₂
EVPBF	3.5	6.7±0.2	7.4±0.2	12.0±0.3	5.5±0.1	1.75±0.10	8.0±0.1	2.0±0.1	4.0±0.1	1.5 ^{+0.1}	0.30±0.05	3.7±0.1

■ Recommended Shape of Test Pole



■ Recommended Operating Conditions



Design and specifications are each subject to change without notice. Ask factory for the current technical specifications before purchase and/or use.
 Should a safety concern arise regarding this product, please be sure to contact us immediately.

Requests to customers

Please refer to "the latest product specifications" when designing your product.

Requests to customers :

<https://industrial.panasonic.com/ac/e/salespolicies/>

Safety Precautions

When using our products, no matter what sort of equipment they might be used for, be sure to confirm the applications and environmental conditions with our specifications in advance.

Please contact

Panasonic Corporation

Electromechanical Control Business Division

■ 1006, Oaza Kadoma, Kadoma-shi, Osaka 571-8506, Japan
industrial.panasonic.com/ac/e/

Panasonic[®]

©Panasonic Corporation 2019

单击下面可查看定价，库存，交付和生命周期等信息

[>>Panasonic\(松下\)](#)