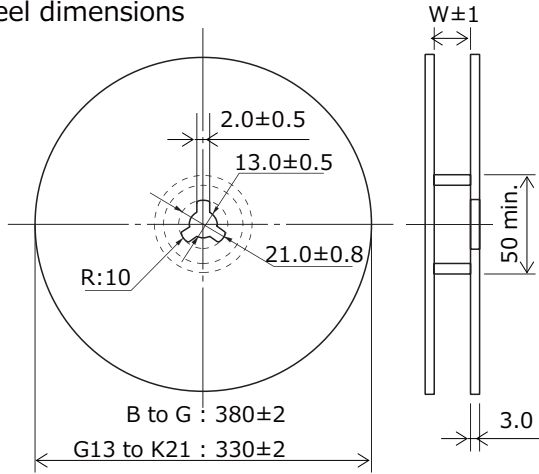


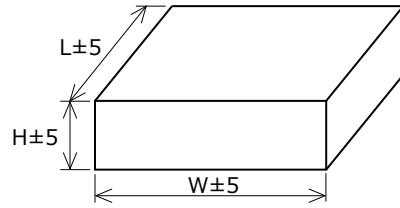
**Packaging specifications**

● Reel dimensions



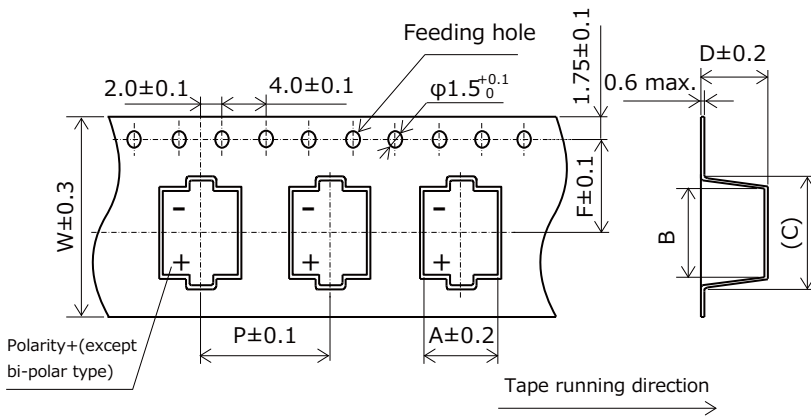
Unit : mm		Unit : mm	
Size code	W	Size code	W
B, C	14.0	G13, G17, H13, H16	34.0
D, E, D8	18.0	J16, J21, K16, K21	46.0
F, G	26.0		

● Dimensions of outer carton box



Unit : mm		
Size code	H	W, L
B, C	220	395
D, D8, E	250	395
F, G	220	395
G13, G17	210	350
H13, H16		
J16, J21	230	350
K16, K21		

● Taping dimensions (size B to G)



( ) Reference size

● Min.packing quantity

Size code	Height	Min.packing quantity pcs.
		380 mm reel
B	L=5.4 mm	2000
	L=5.8 mm	2000
C, D	L=5.4 mm	1000
	L=5.8 mm	1000
E	—	1000
D8	—	900
F, G	—	500

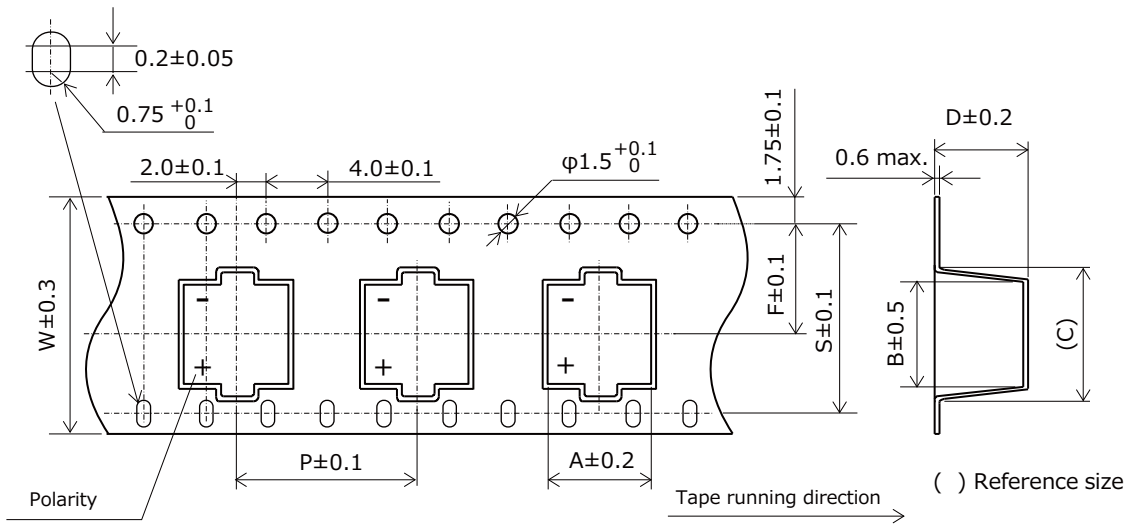
Size code	Min.packing quantity pcs.
	330 mm reel
G13	250
G17, H13	200
H16	150
J16, K16	125
J21, K21	75

Ask factory for technical specifications.

Size code	W	A	B	C	P	F	D	
							Height	
							L=5.4 mm	L=5.8 mm
B	12.0	4.7	4.6 <sup>+0.2</sup> <sub>-0.1</sub>	6.5	8.0	5.5	5.8	6.2
C	12.0	5.7	5.7 <sup>+0.3</sup> <sub>-0.2</sub>	8.0	12.0	5.5	5.8	6.4
D	16.0	7.0	7.0 <sup>+0.3</sup> <sub>-0.2</sub>	9.0	12.0	7.5	5.8	6.4
D8	16.0	7.0	7.0 <sup>+0.3</sup> <sub>-0.2</sub>	9.0	12.0	7.5	8.4	
E	16.0	8.7	8.7 <sup>+0.3</sup> <sub>-0.2</sub>	11.4	12.0	7.5	6.8	
F	24.0	8.7	8.7 <sup>+0.3</sup> <sub>-0.2</sub>	12.5	16.0	11.5	11.0	
G	24.0	10.7	10.7 <sup>+0.3</sup> <sub>-0.2</sub>	14.5	16.0	11.5	11.0	

**Packaging specifications**

- Taping dimensions (size G13 to K21)



Ask factory for technical specifications.

Unit : mm

Size code	Taping size							
	A	B	C	D	F	P	S	W
G13	10.7	10.7	14.5	14.5	14.2	20.0	28.4	32.0
G17	10.7	10.7	14.5	17.5	14.2	20.0	28.4	32.0
H13	14.0	14.0	18.0	14.5	14.2	24.0	28.4	32.0
H16	14.0	14.0	18.0	17.5	14.2	24.0	28.4	32.0
J16	17.5	17.5	23.0	17.5	20.2	28.0	40.4	44.0
J21	17.5	17.5	23.0	22.5	20.2	28.0	40.4	44.0
K16	19.5	19.5	26.0	17.5	20.2	32.0	40.4	44.0
K21	19.5	19.5	26.0	22.5	20.2	32.0	40.4	44.0

单击下面可查看定价，库存，交付和生命周期等信息

[>>Panasonic\(松下\)](#)