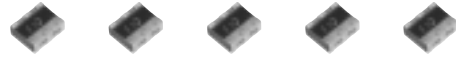


# Ceramic Resonators, Chip Type (Built-In Capacitors Type)

Type: **JC** ( 16 to 50 MHz)



**■ Features**

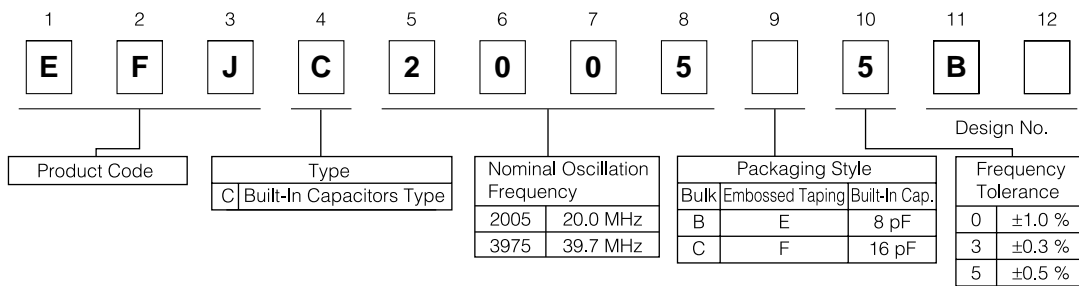
- Low Profile Type (1.2 mm maximum in thickness)
- Designed for lead free soldering
- Wide Oscillation Frequency : 16 to 50 MHz
- High reliability against soldering heat and mechanical stress
- Contributes simplification of oscillation circuits and reduces the numbers of circuit parts

**■ Recommended Applications**

- Clock generator for microprocessors
- Carrier between telecommunication equipment (Telephone to telephone, personal computer to printer)

**■ Precautions for Safety** (See Page 218 to 219)

**■ Explanation of Part Numbers**



**■ Ratings and Characteristics**

Part Number		Oscillation Frequency (fo)	Loop Gain (G)	Temperature Characteristics	Built-in Capacitors (Reference)
Bulk Pack	Embossed Taping				
EFJC2505B5B	EFJC2505E5B	25.00 MHz ±0.5 %	10 dB min.	Maximum frequency drift ±0.2 %, -20 to 80 °C	8 pF
EFJC3205B5B	EFJC3205E5B	32.00 MHz ±0.5 %			
EFJC3385B5B	EFJC3385E5B	33.868 MHz ±0.5 %			
EFJC4005B5B	EFJC4005E5B	40.00 MHz ±0.5 %	14 dB min.		16 pF
EFJC1695C5B	EFJC1695F5B	16.93 MHz ±0.5 %			
EFJC2005C5B	EFJC2005F5B	20.00 MHz ±0.5 %			

- Operating Temperature Range: -20 to 80 °C
- Frequency Drift : 0.3% max./10 years

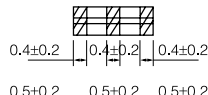
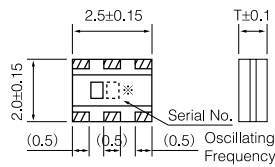
Note:  
Also available are types other than above standard products in the frequency range of 16.0 to 50.0 MHz.

Design, Specifications are subject to change without notice. Ask factory for technical specifications before purchase and/or use. Whenever a doubt about safety arises from this product, please inform us immediately for technical consultation without fail.

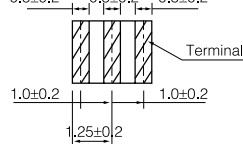
### ■ Dimensions in mm (not to scale)

#### ● Bulk

[Type JC] EFJC□□□□□□B

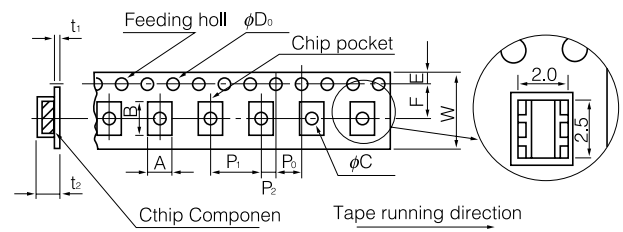


Thickness changes with Products  
(40 MHz : 0.90 mm)



#### ● Embossed Taping

EFJC□□□□□□B

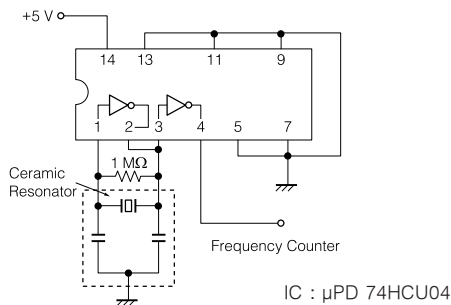


Dim. (mm)	A	B	W	F	E	P <sub>1</sub>
	2.3	2.8	8.0±0.2	3.5±0.1	1.75±0.1	4.0±0.1

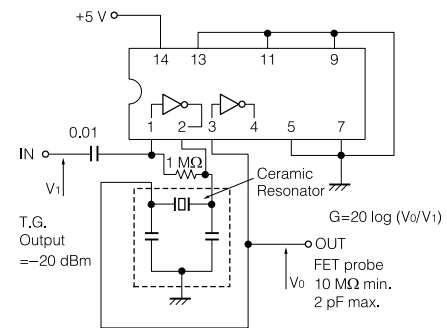
Dim. (mm)	P <sub>2</sub>	P <sub>0</sub>	φD <sub>0</sub>	t <sub>1</sub>	t <sub>2</sub>	φC
	2.0±0.1	4.0±0.1	1.5 <sup>+0.1</sup>	0.35	1.65	1.0

### ■ Test Circuits Diagram

For Oscillation Circuit

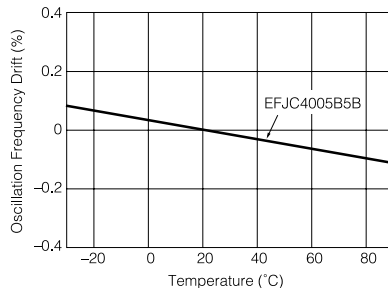


For Loop Gain



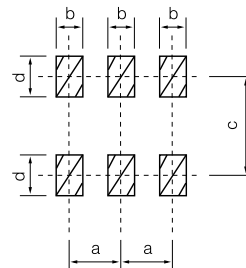
### ■ Typical Characteristics

Temperature Characteristics



### ■ Recommended Land Dimensions

[Type JC]



	Type JC
a	1.0
b	0.5
c	2.0
d	0.8

(mm)

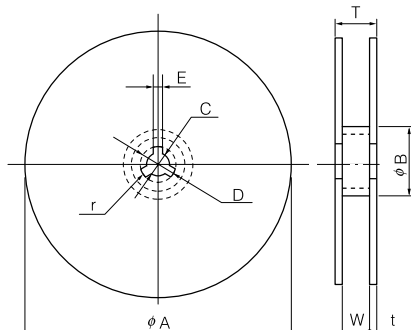
### ■ Packaging Specifications

Supplied in bulk or taped & reel packing style

#### ● Standard Packing Quantity

Type	Embossed Taping	Bulk
JC	3000 pcs./reel	500 pcs./bag

#### ● Dimensions for Reel in mm (not to scale)



[Type JC]

Dim. (mm)	φA	φB	C	D	E
	180±5	60 min.	13±0.2	21±0.8	2.0±0.5

Dim. (mm)	W	T	t	r
	9.0 <sup>+1.0</sup> <sub>-0.5</sub>	14.0 max.	2.5 max.	1.0

Design, Specifications are subject to change without notice. Ask factory for technical specifications before purchase and/or use. Whenever a doubt about safety arises from this product, please inform us immediately for technical consultation without fail.

单击下面可查看定价，库存，交付和生命周期等信息

[>>Panasonic\(松下\)](#)