

Balun

We accomplish the advanced characteristics of Low Insertion Loss and High Isolation, the Miniaturization and High Performance by our μ -wave circuit simulation and fine line printing technologies.

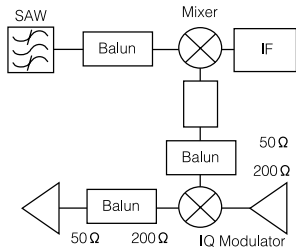
Features

- Ultra miniaturized, thin type (1.6 X 0.8 X t 0.55)
- Available for each frequency range (100 MHz to 4000 MHz)
- Balanced / Unbalanced Converter
- Impedance matching (50 Ω / 200 Ω , 50 Ω / 100 Ω)

Recommended Applications

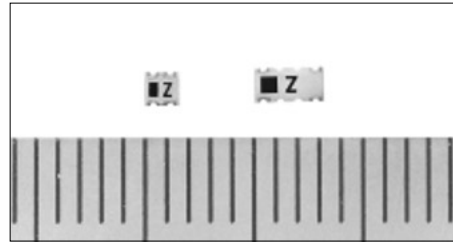
- Digital portable telephone
- Dual mode portable telephone
- Personal handy-phone system
- Mobile communication system

Block Diagram

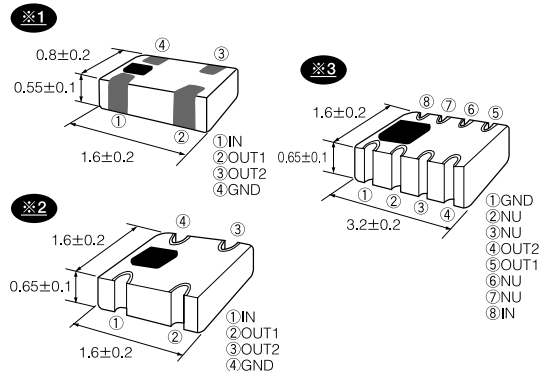


Typical Characteristics

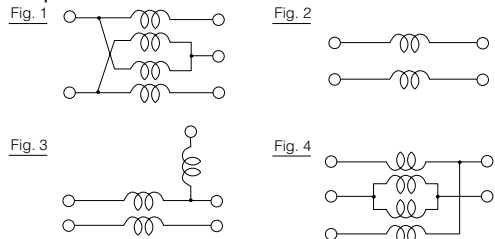
Part No.	EHFFD													
	1750A	1622	1620	1629	1624B	1624D	1624	1615	1621	1626	1618	1619	1627	1631
Frequency (MHz)	1700 to 1950	700 to 900	900 to 1350	1550 to 2000	1600 to 1950	1800 to 2000	3400 to 4000	670 to 900	1100 to 1450	1600 to 1800	700 to 1300	1200 to 2200	1546 to 1621 1806 to 1990	1805 to 1880 1930 to 1990
Insertion Loss (dB)	1.0 max.	1.0 max.	1.0 max.	0.8 max.	1.0 max.	1.0 max.	2.0 max.	1.0 max.	1.0 max.	1.0 max.	1.0 max.	1.0 max.	1.0 max.	1.0 max.
Difference of Phase(deg)	180±15	180±15	180±15	180±10	180±15	180±15	180±15	180±15	180±15	180±15	180±15	180±15	180±15	180±20
Impedance (Ω)	50/200	50/200	50/200	50/50	50/200	50/200	50/200	50/200	50/200	50/200	50/50	50/50	50/50	50/50
Circuit Diagram	Fig. 1	Fig. 1	Fig. 1	Fig. 2	Fig. 1	Fig. 1	Fig. 1	Fig. 1	Fig. 1	Fig. 1	Fig. 2	Fig. 2	Fig. 3	Fig. 4
Size (mm)	1.6X0.8	1.6X1.6	1.6X1.6	1.6X1.6	1.6X1.6	1.6X1.6	1.6X1.6	3.2X1.6	3.2X1.6	3.2X1.6	3.2X1.6	3.2X1.6	3.2X1.6	3.2X1.6
Construction No.	※ 1	※ 2	※ 2	※ 2	※ 2	※ 2	※ 2	※ 3	※ 3	※ 3	※ 3	※ 3	※ 3	
Note														Dual



Dimensions in mm (not to scale)



An Equivalent Circuit



单击下面可查看定价，库存，交付和生命周期等信息

[>>Panasonic\(松下\)](#)