

# Aspherical Glass Lenses

EYLG□□□□□□□□



Lightweight, high-performance aspherical glass lenses for various optical electronics applications.

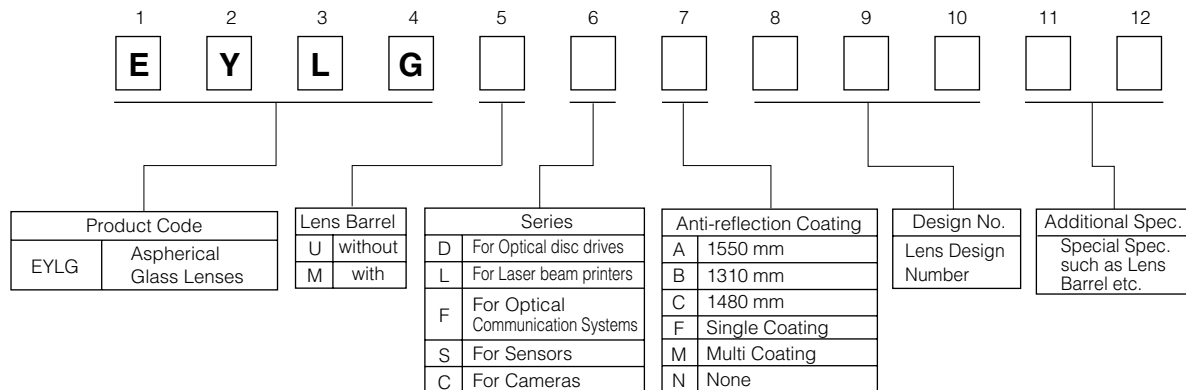
**■ Features**

- "One Shot" precision manufacturing process for an extremely compact, lightweight and high-performance lens
- High-quality processing and measurement techniques for superior performance
- Short focal length for compact size
- High numerical aperture achieved via aspherical design
- Wide temperature and humidity range for increased reliability and stability
- Various lenses and lens material available for many different applications

**■ Recommended Applications**

- Pickup lens for optical drive devices
- Collimator lens for laser beam printers
- Coupling lens for optical communication systems
- Image formation lens for sensors
- Imaging device for CCD, CMOS

**■ Explanation of Part Numbers**



**■ Ratings**

Item	Ratings
Operating Temperature Range	-30 to +85 °C
Storage Temperature Range	-40 to +100 °C

**■ Please contact the factory for packaging methods.**

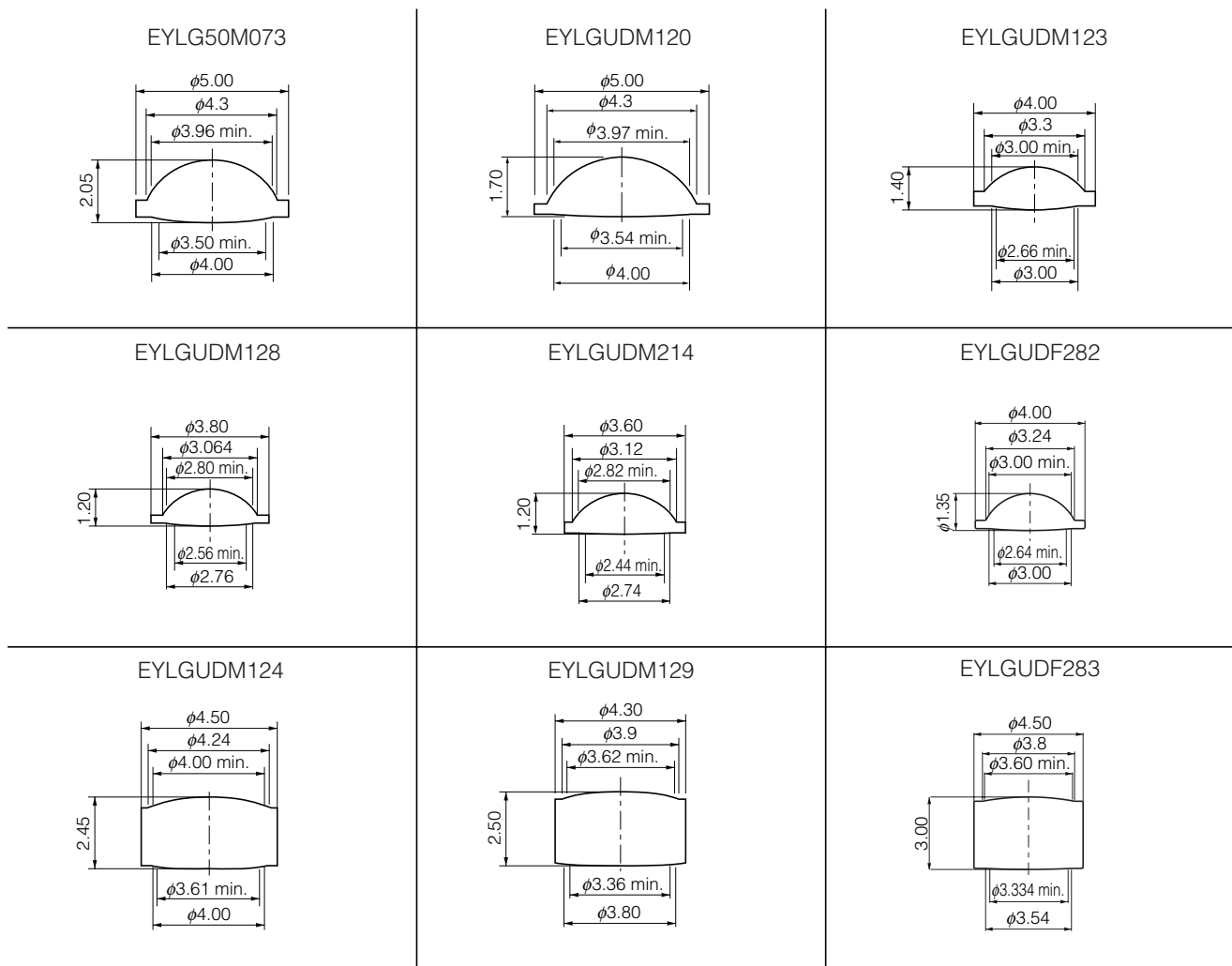
Design and specifications are each subject to change without notice. Ask factory for the current technical specifications before purchase and/or use. Should a safety concern arise regarding this product, please be sure to contact us immediately.

- Specifications
- For optical disc drives

Product Group	Objective Lens						Collimator Lens		
Part No.	EYLG 50M073	EYLG UDM120	EYLG UDM123*	EYLG UDM128	EYLG UDM214	EYLG UDF282	EYLG UDM124*	EYLG UDM129*	EYLG UDF283*
Item									
Wave Length (nm)	650	650	785	650	655	660	785	650	660
Numerical Aperture	0.60	0.65	0.50	0.60	0.65	0.65	0.186	0.128	0.113
Focal Length (mm)	3.30	3.05	3.00	2.33	2.17	2.31	10.74	14.15	16.00
Working Distance (mm)	1.782	1.696	1.462	1.270	1.103	1.174	7.804	8.901	12.041
Lens Diameter (mm)	φ5.00	φ5.00	φ4.00	φ3.80	φ3.60	φ4.00	φ4.50	φ4.30	φ4.50
Mass (Weight) (mg)	52.0	49.4	23.0	20.3	25.1	25.3	84.0	80.6	108.5
Abbe Number	64	58	64	58	53	58	64	64	64
Cover Glass (mm)	0.6	0.6	1.2	0.6	0.6	0.6	2.25	5.85	4.21

\* build-to-order manufacturing

### ■ Dimensions in mm (not to scale)



Design and specifications are each subject to change without notice. Ask factory for the current technical specifications before purchase and/or use. Should a safety concern arise regarding this product, please be sure to contact us immediately.

单击下面可查看定价，库存，交付和生命周期等信息

[>>Panasonic\(松下\)](#)