

## Aspherical Glass Lenses

Type: **EYLG**□□□□□□□□



These products are aspherical glass lenses by using a press molding, and key devices of optical electronics not only provide compact and light weight but also high-performance by utilizing characteristics of aspherical design.

### Features

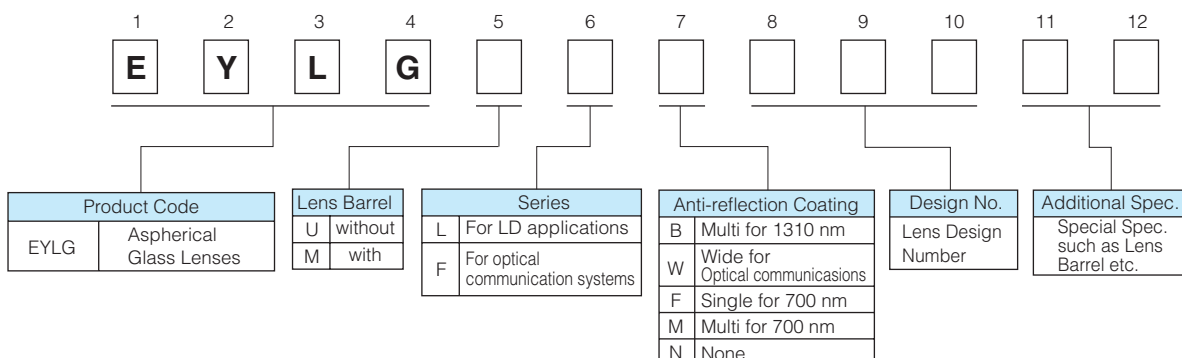
- High numerical aperture achieved via aspherical design
- Short focal length for compact size
- Appropriate lenses and lens material available for many different applications
- Wide temperature and humidity range for increased reliability and stability
- High-quality processing, measurement techniques and precision manufacturing process give less variation in optical properties
- RoHS compliant

\* We can offer custom design, sampling and mass production as requested

### Recommended Applications

- Coupling lens for optical communication systems
- Collimator lens for optical communication systems
- Lens for LD applications

### Explanation of Part Numbers



### Ratings

Item	Ratings
Operating Temperature Range	-30 to +85 °C
Storage Temperature Range	-40 to +100 °C

■ Please contact the factory for packaging methods.

Design and specifications are each subject to change without notice. Ask factory for the current technical specifications before purchase and/or use. Should a safety concern arise regarding this product, please be sure to contact us immediately.

## Specifications

### ● Lenses for Optical Communications

Part No.	Design Wavelength (nm)	Suitable Wavelength (T>97 %) (nm)	Designed with CG	Focal Length (mm)	Working Distance (* L1) (mm)	Conjugate Distance (* L2) (mm)	Magnification
			CG material / Thickness (mm)				
EYLGFW135DR	1550	1260 to 1625	—	2.51	1.68	—	—
EYLGFW192KR	1550	1260 to 1625	—	1.81	1.03	—	—
EYLGFW192WR	1550	1260 to 1625	—	1.81	0.81	—	—
EYLGFWA265AR	1550	1260 to 1625	—	3.02	2.26	—	—
EYLGFW479A	1550	1260 to 1625	—	1.59	0.93	—	—
EYLGFB240BR	1310	1260 to 1625	—	1.40	1.13	10.69	5.0
EYLGFB456R	1310	1260 to 1625	—	0.54	0.25	3.85	4.5
EYLGFB508A	1310	1260 to 1625	—	0.55	0.25	3.98	5.3
EYLGFB506A	1310	1260 to 1625	—	0.63	0.52	4.00	4.0
EYLGFB245R	1310	1260 to 1625	BK7 t0.25	1.13	1.27*	7.50*	2.5
EYLGFB295R	1310	1260 to 1625	—	1.35	1.27*	10.18*	4.0
EYLGFB415R	1310	1260 to 1625	—	0.94	1.27*	7.56*	4.0
EYLGFB480A	1310	1260 to 1625	—	0.93	1.20*	5.73*	2.0
EYLGFB305R	1310	1260 to 1625	—	0.46	1.40*	3.90*	3.1
EYLGFB502B	1310	1260 to 1625	—	0.46	1.00*	3.50*	3.1
EYLGFB488A	1577	1260 to 1625	—	1.44	2.62*	12.02*	3.8
EYLGFB463R	1570	1260 to 1625	—	1.48	2.15*	12.10*	4.2
EYLGFB485A	1577	1260 to 1625	—	0.95	2.8*	8.20*	3.1

Part No.	N.A		Effective Diameter (mm)		Beam Diameter (mm)	Dimensions (mm)			Glass Material	Lens Shape type
	S1	S2	S1	S2		Diameter (D)	Height (H)	Thickness (T)		
EYLGFW135DR	—	0.20	1.04	0.80	0.50	2.5	1.4	-	K-PBK40	A-1
EYLGFW192KR	—	0.30	1.08	0.82	0.34	2.5	1.4	-	K-PBK40	A-1
EYLGFW192WR	—	0.30	1.08	0.73	0.36	3.0	1.6	-	K-PBK40	A-1
EYLGFWA265AR	—	0.22	1.33	1.14	0.60	3.0	1.6	-	K-PBK40	A-1
EYLGFW479A	—	0.26	0.82	0.70	0.26	1.8	1.4	-	K-PBK40	A-1
EYLGFB240BR	0.50	0.10	1.31	1.70	-	3.0	1.5	-	K-VC89	A-2
EYLGFB456R	0.50	0.11	0.34	0.64	-	1.8	1.0	-	K-VC89	A-2
EYLGFB508A	0.58	0.11	0.40	0.70	-	1.0	-	0.81	K-VC79	D
EYLGFB506A	0.48	0.12	0.59	0.76	-	1.0	-	0.63	K-VC89	D
EYLGFB245R	0.40	0.16	0.90	1.20	-	3.75	3.97	-	K-VC89	B
EYLGFB295R	0.40	0.10	1.02	1.33	-	3.75	3.90	-	K-VC89	B
EYLGFB415R	0.50	0.13	0.76	1.14	-	3.75	3.50	-	K-VC89	B
EYLGFB480A	0.40	0.20	0.91	1.10	-	4.70	3.23	-	K-VC89	B
EYLGFB305R	0.50	0.16	0.34	0.52	-	3.20	2.45	-	K-VC89	B
EYLGFB502B	0.50	0.16	0.34	0.52	-	3.23	2.10	-	K-VC89	B
EYLGFB488A	0.60	0.16	1.40	2.20	-	5.00	5.90	-	K-VC89	B
EYLGFB463R	0.59	0.14	1.60	2.12	-	5.00	4.93	-	K-VC89	B
EYLGFB485A	0.53	0.17	1.00	1.30	-	4.90	5.00	-	K-VC89	B

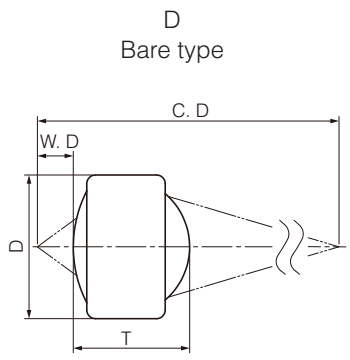
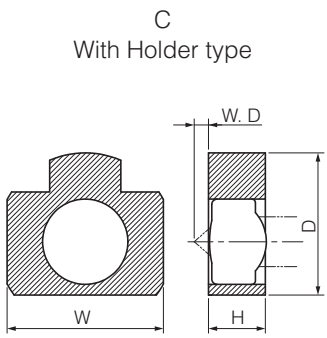
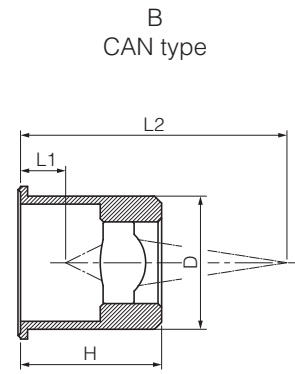
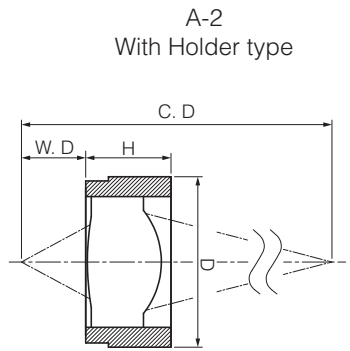
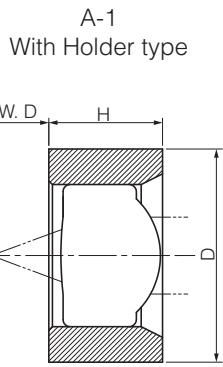
## Specifications

- Lenses for LD applications

Part No.	Design Wavelength (nm)	Suitable Wavelength (T>97 %) (nm)	Designed with CG	Focal Length (mm)	Working Distance (mm)	Magnification
			CG material / Thickness (mm)			
EYLGULM216	780	600 to 800	BK7 t0.25	10.00	8.85	∞
EYLGULF273	780	660 to 700	BK7 t0.30	12.50	10.93	∞
EYLGULF274	780	660 to 700	BK7 t0.25	6.25	4.84	∞
EYLGULF276	780	660 to 700	BK7 t0.25	8.00	6.60	∞
EYLGULF277	780	660 to 700	BK7 t0.30	8.98	7.72	∞
EYLGULF279	780	660 to 700	BK7 t0.30	4.00	2.66	∞
EYLGULF292	780	660 to 700 (T > 95 %)	BK7 t0.27	6.00	3.82	∞
EYLGULF319	780	660 to 700 (T > 95 %)	BK7 t0.25	12.50	11.12	∞
EYLGULM330	780	630 to 800	BK7 t0.25	3.59	2.55	∞

Part No.	N.A	Effective Diameter (mm)		Dimensions (mm)		Glass Material	Lens Shape type
	S1	S1	S2	Diameter (D)	Thickness (T)		
EYLGULM216	0.33	6.06	6.60	8.00	2.15	K-VC81	D
EYLGULF273	0.23	5.07	5.70	6.40	2.80	K-VC80	D
EYLGULF274	0.40	4.15	5.00	6.40	2.50	K-VC80	D
EYLGULF276	0.25	3.36	4.00	6.40	2.50	K-VC80	D
EYLGULF277	0.29	4.79	5.40	6.40	2.30	K-VC80	D
EYLGULF279	0.50	2.96	4.00	6.40	2.50	K-VC80	D
EYLGULF292	0.35	2.85	4.20	6.00	4.20	K-PBK40	D
EYLGULF319	0.23	5.20	5.70	8.00	2.50	K-PBK40	D
EYLGULM330	0.29	1.58	2.16	4.00	2.00	K-PBK40	D

**Dimensions in mm (not to scale)**



W.D : Working Distance  
C.D : Coujugate Distance

单击下面可查看定价，库存，交付和生命周期等信息

[>>Panasonic\(松下\)](#)