

角形 Square Type

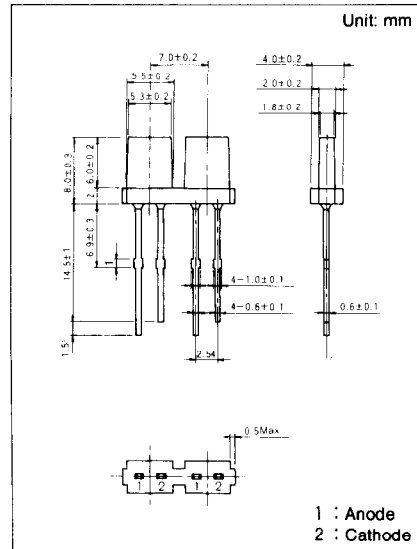
□ 5.3mm×1.8mm 2連 2-Element Array

Type No. Lighting Color  
 LN02202P ..... Red  
 LN02302P ..... Green  
 LN02402P ..... Amber

絶対最大定格 Absolute Maximum Ratings (Ta=25 °C)

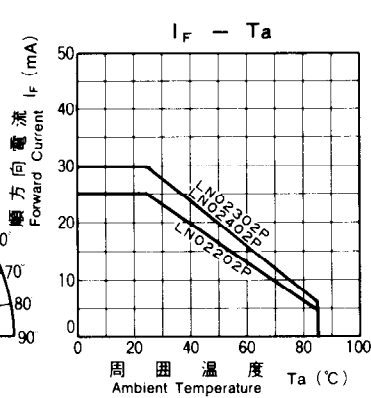
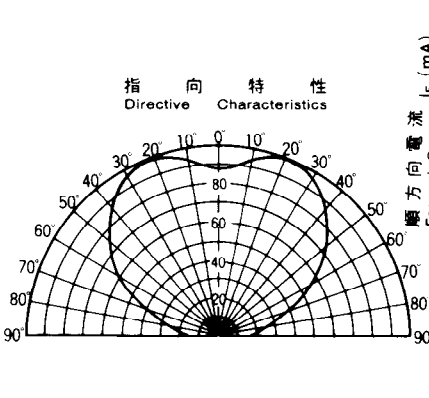
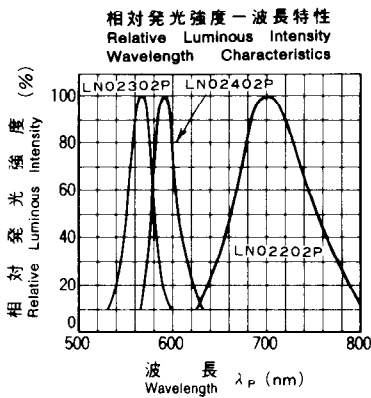
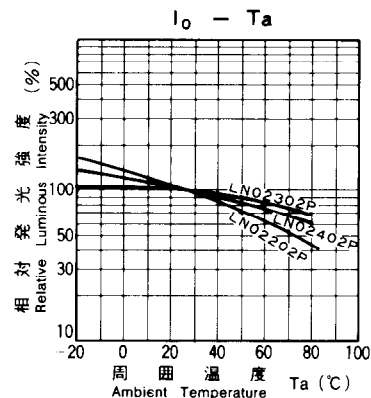
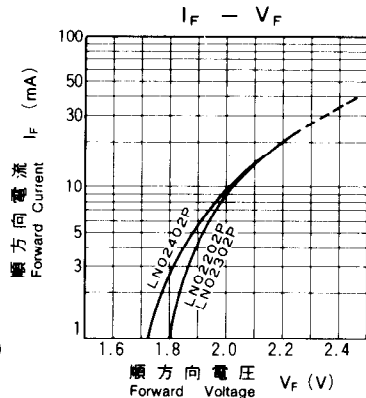
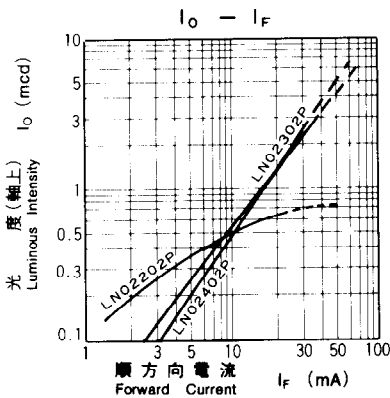
Lighting Color	P <sub>D</sub> (mW)	I <sub>F</sub> (mA)	I <sub>FP</sub> (mA)*	V <sub>R</sub> (V)	Topr (°C)	Tstg (°C)
Red	70	25	150	4	-25~+85	-30~+100
Green	90	30	150	4	-25~+85	-30~+100
Amber	90	30	150	4	-25~+85	-30~+100

\* I<sub>FP</sub>の条件は、duty 10%、Pulse width 1 msec. The condition of I<sub>FP</sub> is duty 10%, Pulse width 1 msec



電気的光学的特性 Electro-Optical Characteristics (Ta=25 °C)

Type No.	Lighting Color	Lens Color	I <sub>O</sub>			V <sub>F</sub>		λ <sub>P</sub>	Δλ	I <sub>F</sub>	I <sub>R</sub>	
			Typ.	Min.	I <sub>F</sub>	Typ.	Max.	Typ.	Typ.		Max.	V <sub>R</sub>
LN02202P	Red	Red Diffused	0.6	0.3	15	2.2	2.8	700	100	20	5	4
LN02302P	Green	Green Diffused	1.5	0.4	20	2.2	2.8	565	30	20	10	4
LN02402P	Amber	Amber Diffused	1.5	0.6	20	2.2	2.8	590	30	20	10	4
Unit	—	—	mcd	mcd	mA	V	V	nm	nm	mA	μA	V



单击下面可查看定价，库存，交付和生命周期等信息

[>>Panasonic\(松下\)](#)