

# 丸形 Round Type

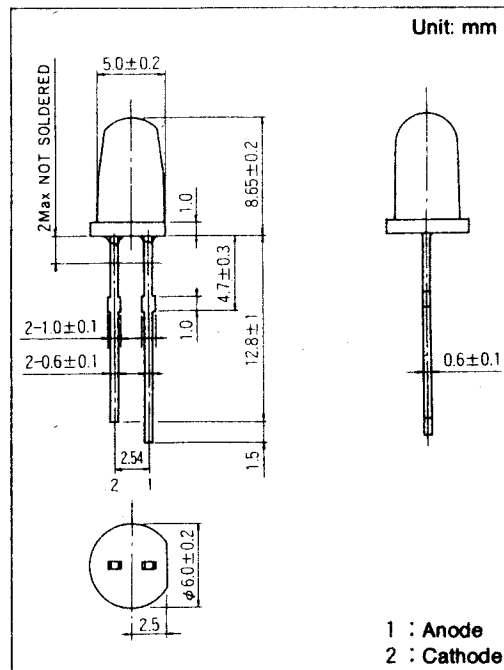
## φ 5.0mm Series

Type No.      Lighting Color  
LN261CAL(UR)      Red

### 絶対最大定格 Absolute Maximum Ratings (Ta=25 °C)

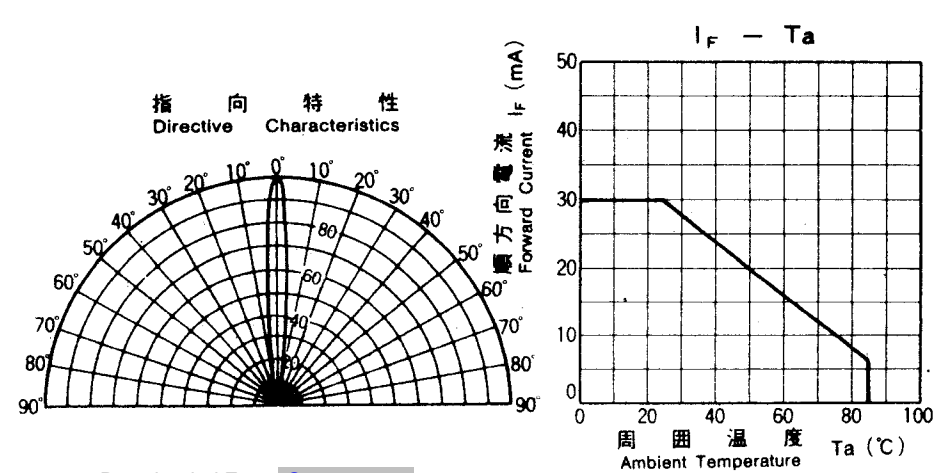
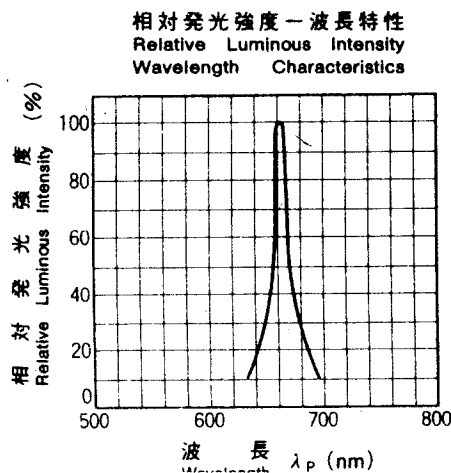
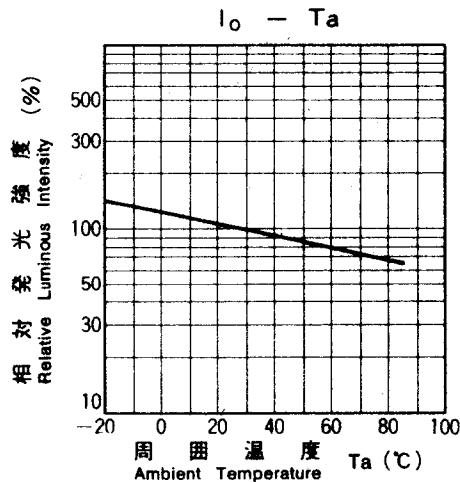
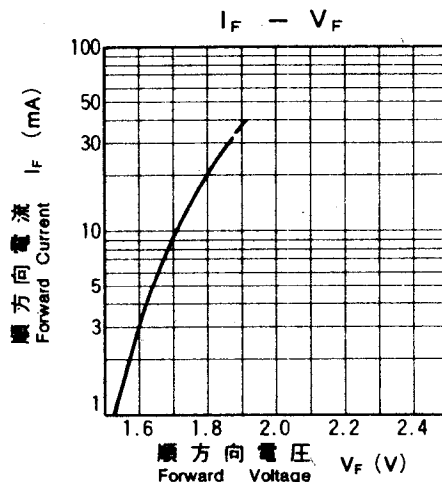
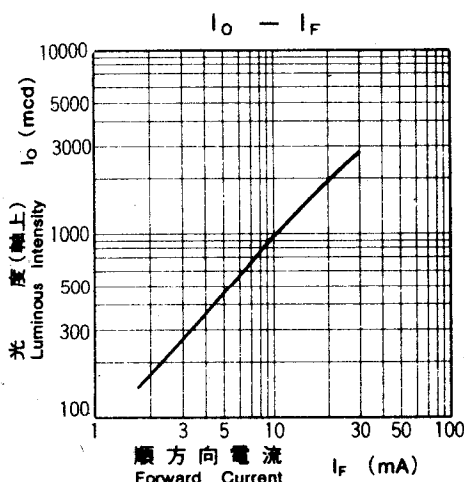
Lighting Color	P <sub>D</sub> (mW)	I <sub>F</sub> (mA)	I <sub>FP</sub> (mA)*	V <sub>A</sub> (V)	T <sub>op</sub> (°C)	T <sub>stg</sub> (°C)
Red	70	30	150	3	-25~+85	-30~+85

\* I<sub>FP</sub>の条件は, duty 10%. Pulse width 1 msec. The condition of I<sub>FP</sub> is duty 10%, Pulse width 1 msec



### 電気的光学的特性 Electro-Optical Characteristics (Ta=25 °C)

Type No.	Lighting Color	Lens Color	I <sub>o</sub>			V <sub>F</sub>		λ <sub>P</sub>	Δλ	I <sub>r</sub>	I <sub>F</sub>	
			Typ	Min	L	Typ	Max				Typ	Max
LN261CAL(UR)	Red	Clear	2000	1000	20	1.8	2.6	665	20	20	100	3
Unit	—	—	mcd	mcd	mA	V	V	nm	nm	mA	μA	V



单击下面可查看定价，库存，交付和生命周期等信息

[>>Panasonic\(松下\)](#)