
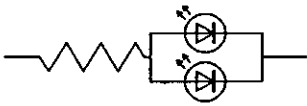


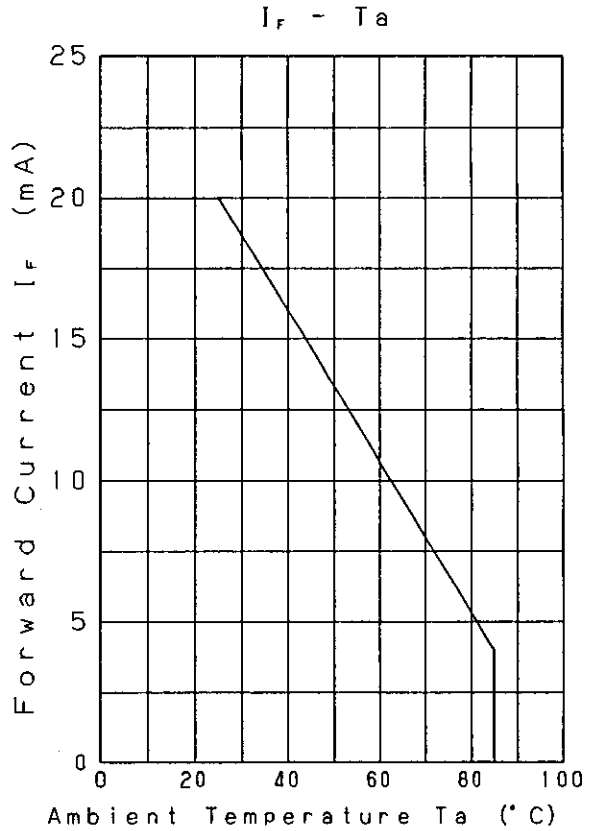
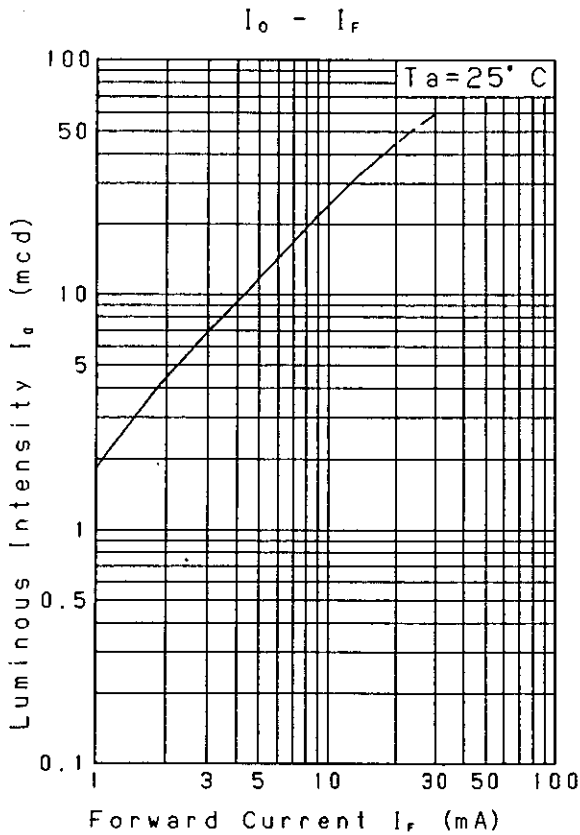
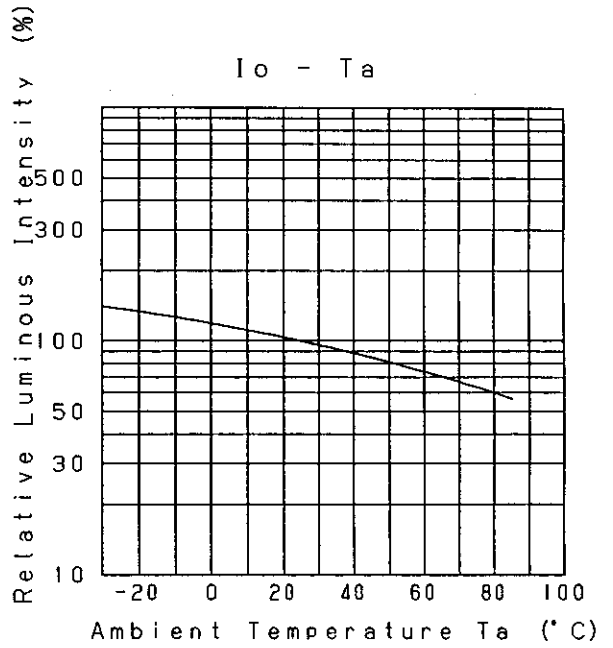
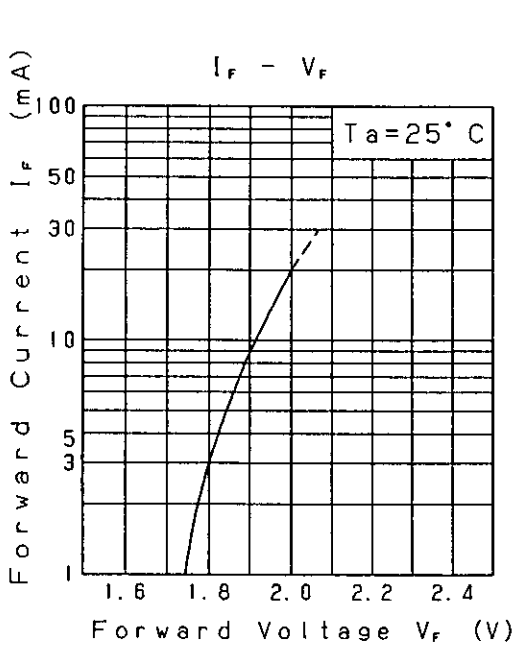
Approved	Checked	Designed	DEVELOPMENT SPECIFICATION					
		T. Tabata	P/N: LNJ216C82RA				TEMPORARY	
TYPE		Red Light Emitting Diode						
APPLICATION		Indicators						
MATERIAL		InGaAlP						
OUTLINE		Attached						
ABSOLUTE MAXIMUM RATINGS		P	*1 I <sub>FP</sub>	I <sub>FDC</sub>	V <sub>R</sub>	Topr	Tstg	
		55	60	20	4	-30~+85	-40~+100	
		mW	mA	mA	V	°C	°C	
CONDITION		T <sub>a</sub> = 25 ± 3°C						
Test Specification								
Item	Symbol	Condition	Typ	Limit		Unit		
				Min	Max			
Forward Voltage	V <sub>F</sub>	I <sub>F</sub> = 10 mA	1.92		2.5	V		
Reverse Leakage Current	I <sub>R</sub>	V <sub>R</sub> = 4 V			100	μA		
Luminous Intensity *2	I <sub>O</sub>	I <sub>F</sub> = 10 mA DC	24	12.8		mcd		
Peak Emission Wavelength	λ <sub>p</sub>	I <sub>F</sub> = 10 mA DC	645			nm		
Spectral Line Half Width	Δλ	I <sub>F</sub> = 10 mA DC	22			nm		
<p>*1. The Condition of I<sub>FP</sub> is duty 10%, Pulse width 1 ms</p> <p>*2. Tolerance of luminous intensity: ±20%.</p> <p>NOTE</p> <p>★1. Please contact the Panasonic local office if you design at low current (below 1mA DC) or pulse current operation and have any questions.</p> <p>★2. Soldering conditions...Refer to Handling note.</p> <p>★3. Compositions of the lead... Cu/Ni/Au plating</p> <p>★4. Package...Clear type.</p> <p>★5. Beware of destruction by static electricity in handling the LED.</p> <p>★6. Circuit to operate LED.</p>								
					(A) Recommended circuit.			
					(B) The difference of brightness between the LED could be found due to the V <sub>F</sub> characteristics of each LED.			
Oct. 18. 2001								

Approved	Checked	Designed
		T. Takata

DEVELOPMENT SPECIFICATION

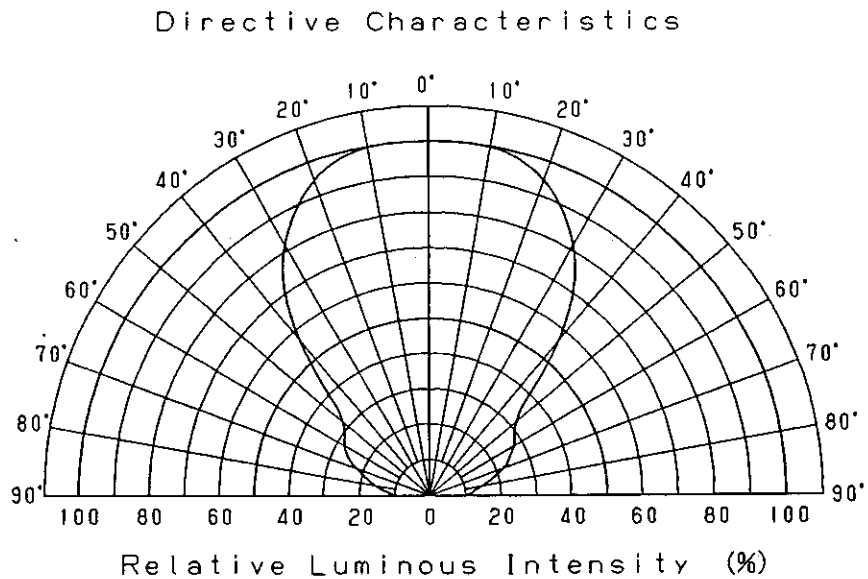
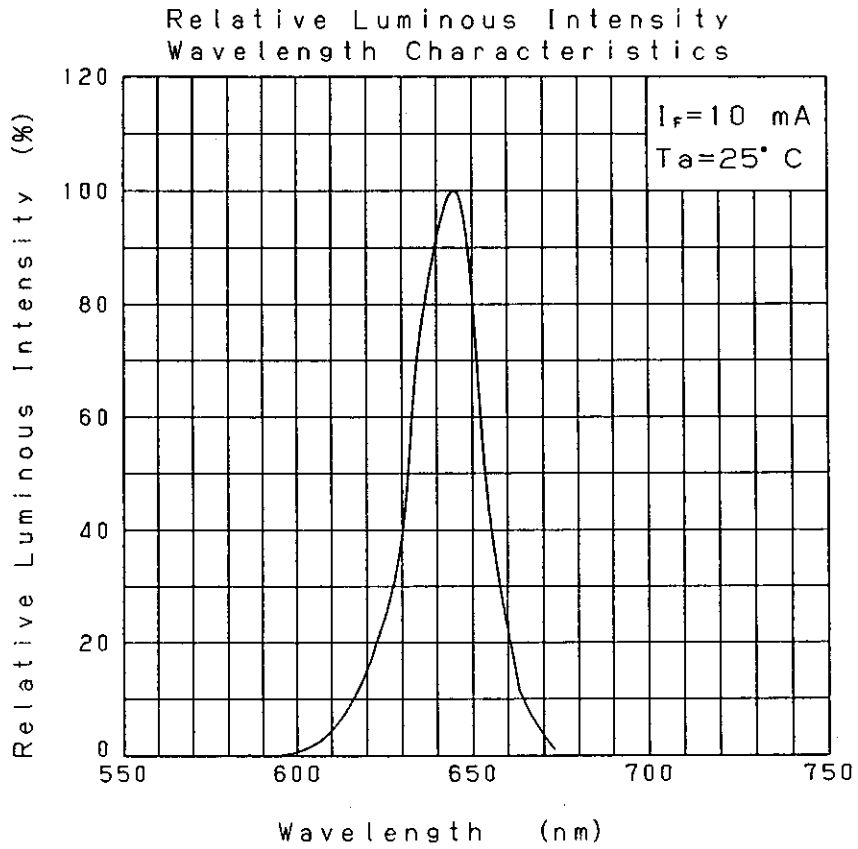
P/N: LNJ216C82RA

TEMPORARY



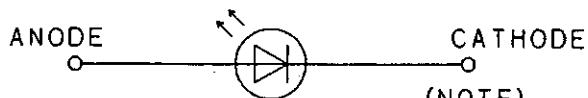
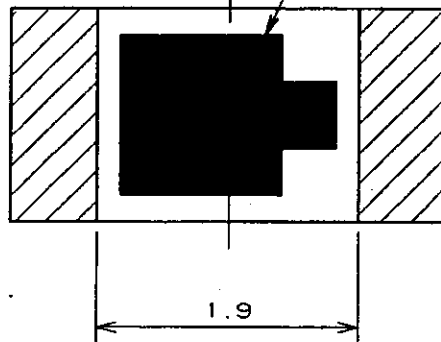
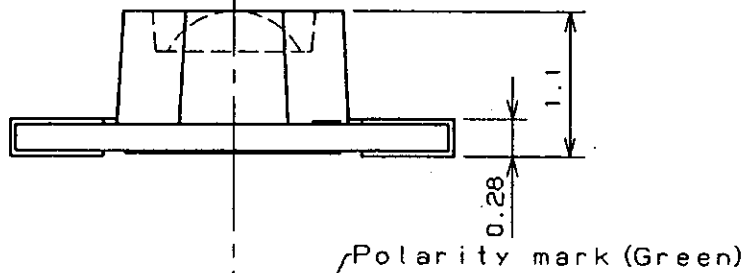
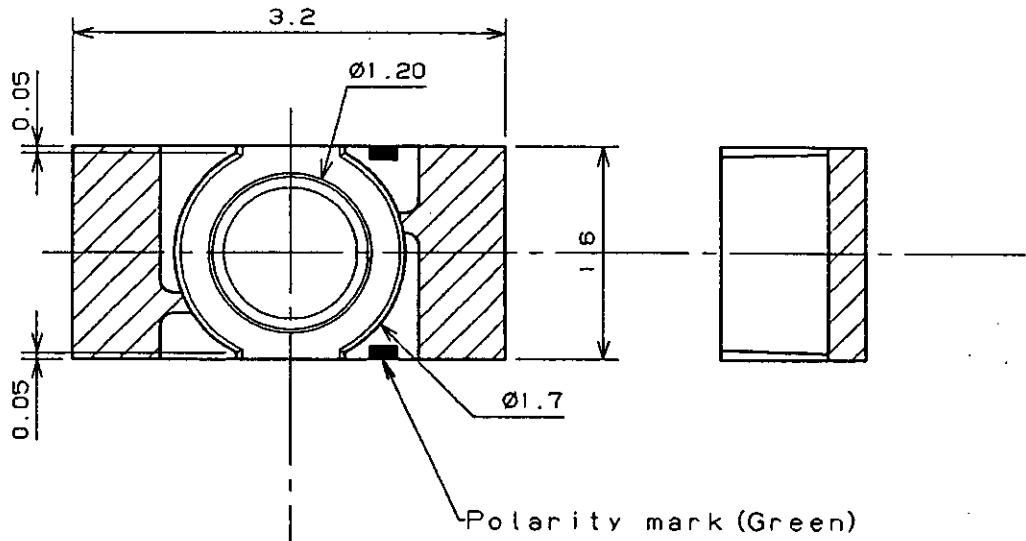
Oct. 18. 2001

Approved	Checked	Designed	DEVELOPMENT SPECIFICATION	TEMPORARY
		T. Takata		



Oct. 18, 2001			
---------------	--	--	--

Approved <i>T. Akeda</i>	Checked <i>M. Ni</i>	Designed <i>T. Taketa</i>	DEVELOPMENT SPECIFICATION (OUTLINE) P/N:	



- (NOTE)
1. Unit: mm
  2. Tolerance unless specified is  $\pm 0.15$ .
  3. indicate Au terminal.

Jan. 31. 2000			
---------------	--	--	--

单击下面可查看定价，库存，交付和生命周期等信息

[>>Panasonic\(松下\)](#)