

|          |         |                   |   |  |  |  |  |
|----------|---------|-------------------|---|--|--|--|--|
| Approved | Checked | Designed          | <b>DEVELOPMENT SPECIFICATION</b><br>Tentative<br><u>P/N:LNJ812R88RA</u> |  |  |  |  |
|          |         | <i>K. Sakurai</i> |   |  |  |  |  |

|   |                             |                    |                  |                |         |          |  |
|---|-----------------------------|--------------------|------------------|----------------|---------|----------|--|
| T Y P E   | Orange Light Emitting Diode |                    |                  |                |         |          |  |
| A P P L I C A T I O N                             | Indicators                  |                    |                  |                |         |          |  |
| M A T E R I A L                                   | InGaAlP                     |                    |                  |                |         |          |  |
| O U T L I N E                                     | Attached                    |                    |                  |                |         |          |  |
| A B S O L U T E<br>M A X I M U M<br>R A T I N G S | P                           | *1 I <sub>FP</sub> | I <sub>FDC</sub> | V <sub>R</sub> | Topr    | Tstg     |  |
|   | 55                          | 60                 | 20               | 4              | -30~+85 | -40~+100 |  |
|   | mW                          | mA                 | mA               | V              | °C      | °C       |  |
| C O N D I T I O N                                 | T <sub>a</sub> = 25 ± 3 °C  |                    |                  |                |         |          |  |

Test Specification

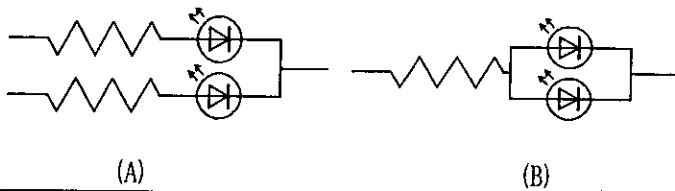
| Item                     | Symbol         | Condition                 | Typ. | Limit |     | Unit |
|--------------------------|----------------|---------------------------|------|-------|-----|------|
|                          |                |                           |      | Min   | Max |      |
| Forward Voltage          | V <sub>F</sub> | I <sub>F</sub> = 10 mA    | 1.95 |       | 2.5 | V    |
| Reverse Leakage Current  | I <sub>R</sub> | V <sub>R</sub> = 4 V      |      |       | 100 | μA   |
| Luminous Intensity *2    | I <sub>O</sub> | I <sub>F</sub> = 10 mA DC | 30   | 16    |     | mcd  |
| Peak Emission Wavelength | λ <sub>p</sub> | I <sub>F</sub> = 10 mA DC | 620  |       |     | nm   |
| Spectral Line Half Width | Δλ             | I <sub>F</sub> = 10 mA DC | 17   |       |     | nm   |

- \*1 · The Condition of I<sub>FP</sub> is duty 10 %, Pulse width 1 ms
- Please contact the Panasonic local office if you design at low current (below 1 mA DC) or pulse current operation and have any questions.
- \*2 Measurement Tolerance is ±20%.

NOTE

- ★1. Terminal: Plated with gold on copper base.
- ★2. Beware of destruction by static electricity in handling the LED.
- ★3. Soldering conditions.  
Refer to Handling note.
- ★4. Care should be taken that soldering is done within 7-days after opening the dry package and reel.

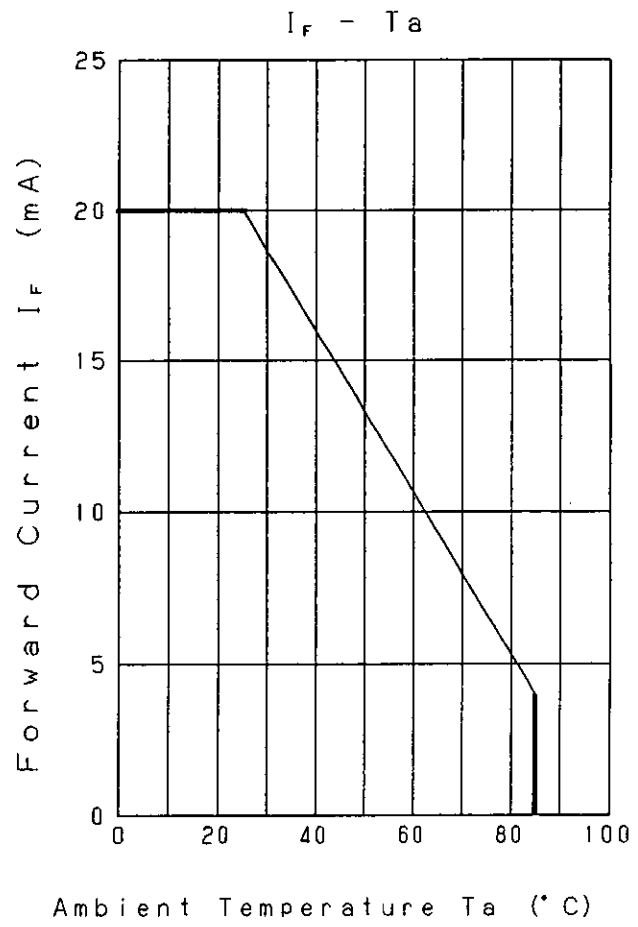
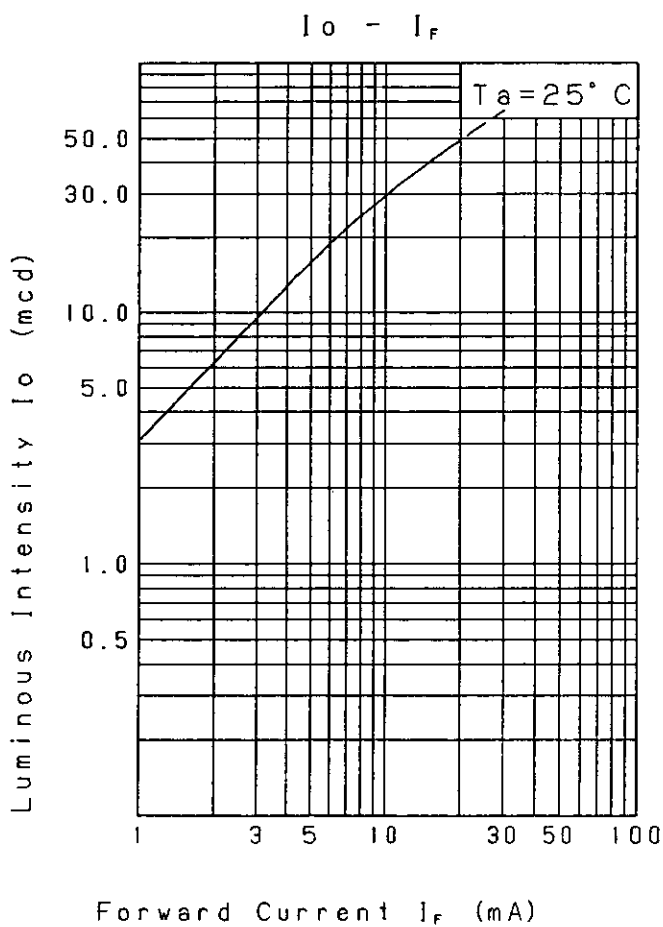
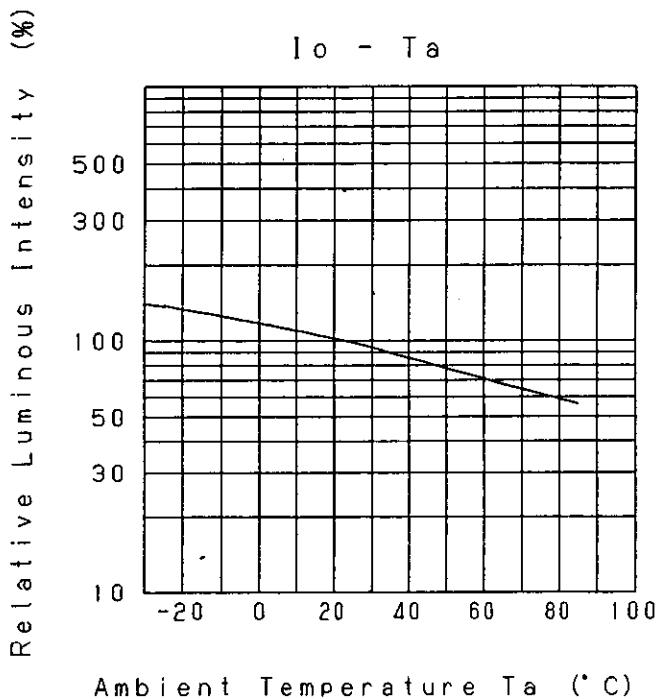
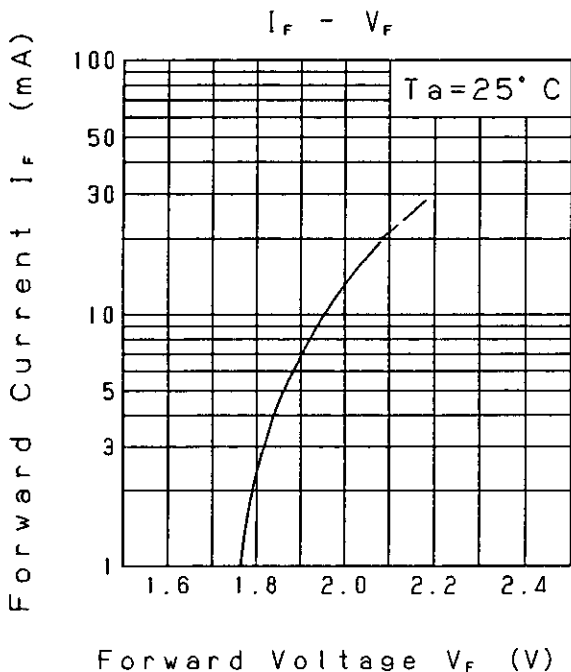
★5. Circuit to operate LED.



- (A) Recommended circuit.
- (B) The difference of brightness between the LED could be found due to the V<sub>F</sub> characteristics of each LED.

|               |  |  |  |
|---------------|--|--|--|
| Nov. 22. 2000 |  |  |  |
|               |  |  |  |

|          |         |                                      |                            |  |
|----------|---------|--------------------------------------|----------------------------|--|
| Approved | Checked | Designed<br><i>K. A. [Signature]</i> | DEVELOPMENT SPECIFICATION  |  |
|          |         |                                      | Tentative P/N: LNJ812R88RA |  |

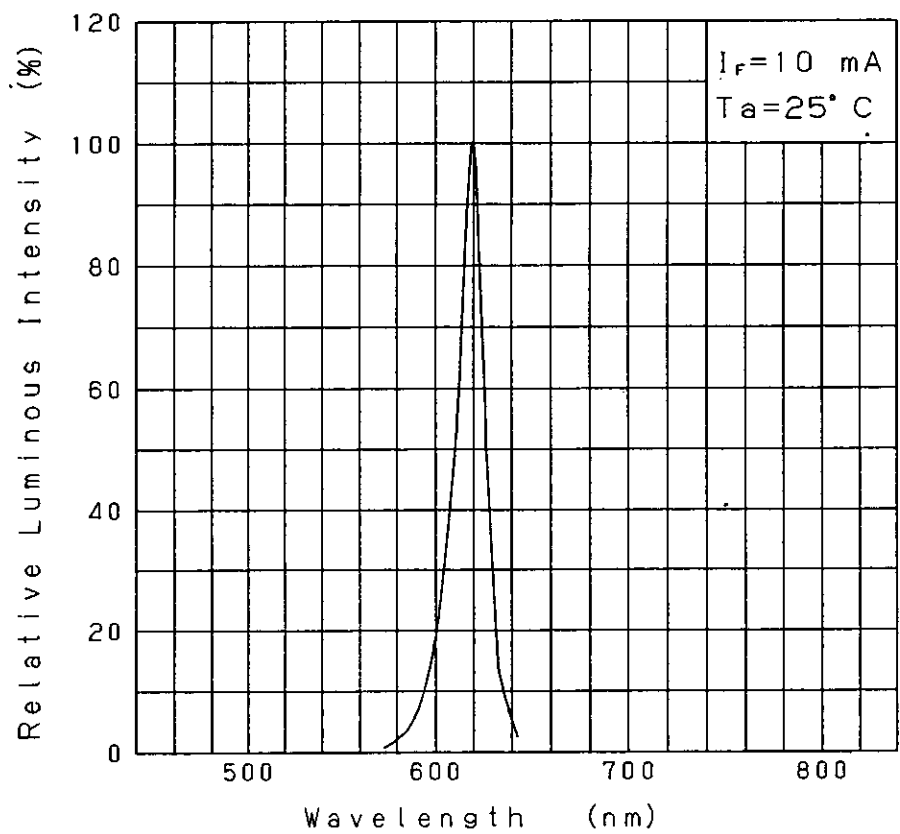


|               |  |  |  |
|---------------|--|--|--|
| Nov. 22. 2000 |  |  |  |
|---------------|--|--|--|

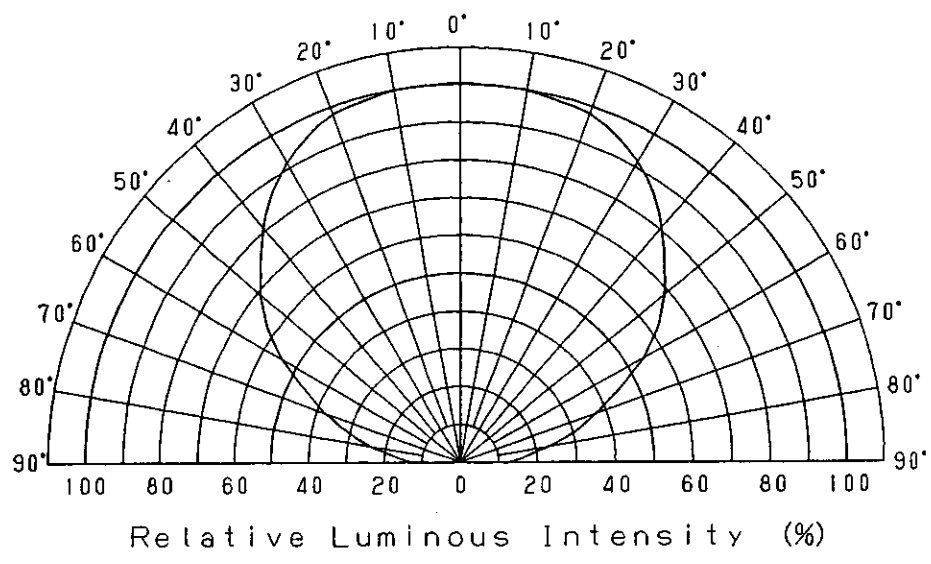
|          |         |                  |
|----------|---------|------------------|
| Approved | Checked | Designed         |
|          |         | <i>K. Akashi</i> |

DEVELOPMENT SPECIFICATION  
Tentative P/N: LNJ812R88RA

Relative Luminous Intensity  
Wavelength Characteristics



Directive Characteristics



Nov. 22. 2000

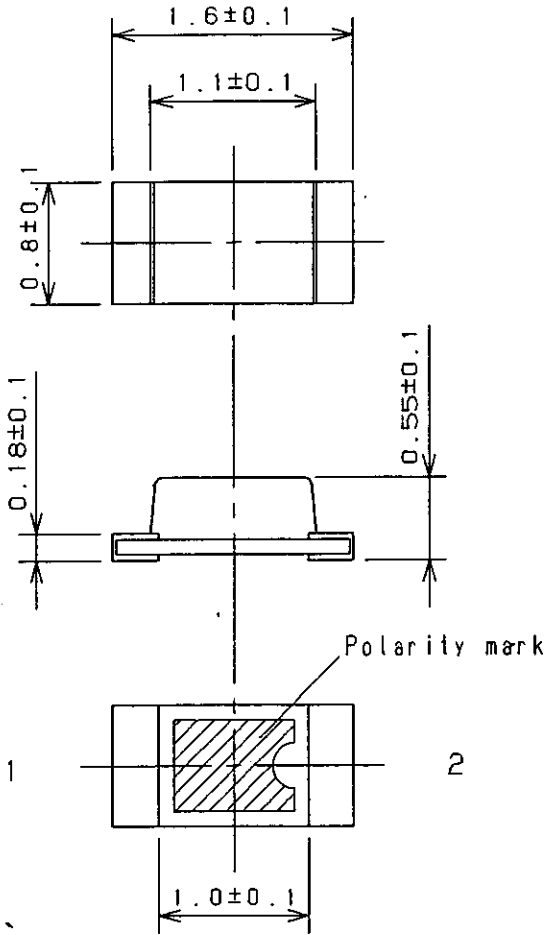
Panasonic

KAGOSHIMA MATSUSHITA ELECTRONICS CO., LTD.

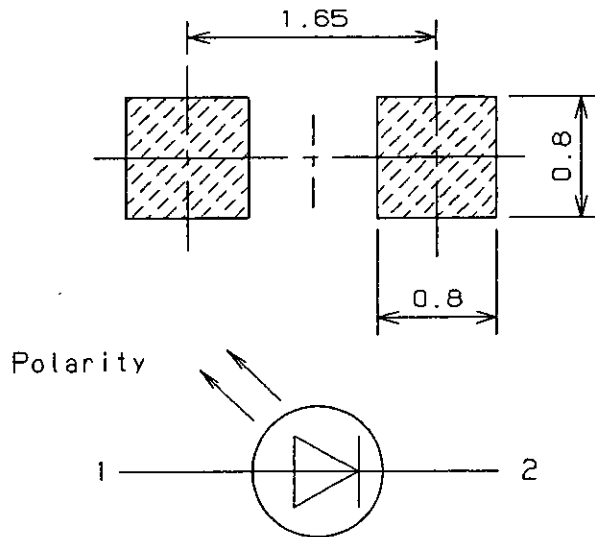
KB-H-022-018B

|          |         |                     |
|----------|---------|---------------------|
| Approved | Checked | Designed            |
|          |         | <i>K. S. Sankar</i> |

DEVELOPMENT SPECIFICATION  
(O U T L I N E)  
Tentative P/N: LNJ812R88RA



Recommended Land Layout



1: Anode  
2: Cathode

(NOTE)

1. Measurement of the package doesn't include electrode projection.
2. Unit: mm

|               |  |  |  |
|---------------|--|--|--|
| Nov. 22. 2000 |  |  |  |
|               |  |  |  |

单击下面可查看定价，库存，交付和生命周期等信息

[>>Panasonic\(松下\)](#)