

## **Notification about the transfer of the semiconductor business**

The semiconductor business of Panasonic Corporation was transferred on September 1, 2020 to Nuvoton Technology Corporation (hereinafter referred to as "Nuvoton"). Accordingly, Panasonic Semiconductor Solutions Co., Ltd. became under the umbrella of the Nuvoton Group, with the new name of Nuvoton Technology Corporation Japan (hereinafter referred to as "NTCJ").

In accordance with this transfer, semiconductor products will be handled as NTCJ-made products after September 1, 2020. However, such products will be continuously sold through Panasonic Corporation.

Publisher of this Document is NTCJ.

If you would find description "Panasonic" or "Panasonic semiconductor solutions", please replace it with NTCJ.

※ Except below description page

"Request for your special attention and precautions in using the technical information and semiconductors described in this book"

**Nuvoton Technology Corporation Japan**



Type	Silicon MOSFET type Integrated Circuit		
Application	For Switching Power Supply Control		
Structure	CMOS type		
Equivalent Circuit	See Figure 7		
Package	DIP7-A1-B	Marking	MIP530

**A. ABSOLUTE MAXIMUM RATINGS** (Ta=25°C±3°C)

No.	Item	Symbol	Ratings	Unit	Note
1	DRAIN Voltage	VD	-0.3 ~ 700	V	※1: It is guaranteed within the pulse as below. Leading Edge Blanking Pulse + Current Limit Delay ton(BLK)+td(OCL)
2	VIN Voltage	VIN	-0.3 ~ 650	V	
3	VDD Voltage	VDD	-0.3 ~ 8	V	
4	VDD current	IDD	30	mA	
5	Feedback Voltage	VFB	-0.3 ~ 8	V	
6	Output Peak Current	IDP	0.7(※1)	A	
7	Junction Temperature	Tj	150	°C	
8	Storage Temperature	Tstg	-55 ~ +150	°C	

**B. Recommended Operating Conditions**

No.	Item	Symbol	Conditions	Unit	Note
1	Junction Temperature	Tj	-40 ~ +125	°C	



**C. ELECTRICAL CHARACTERISTICS**

Measure condition (Ta=25°C±3°C)

No.	Item	Symbol	Measure Condition (Figure 1)	Typ.	Min.	Max.	Unit
-----	------	--------	---------------------------------	------	------	------	------

**[CONTROL FUNCTIONS]** \* Design Guarantee Item \*\* Reference Value Item

1	Output Frequency	fosc	※ Figure 6 VDD=VDD(ON), IFB=-20 μA, VD=ILIMIT condition,	125	112	138	kHz
2	Jitter Frequency Deviation	d_fosc	※ Figure 6 VDD=VDD(ON), IFB=-20 μA, VD=ILIMIT condition,	5.5	-	-	kHz
**3	Jitter Frequency Modulation Rate	fM	※ Figure 6 VDD=VDD(ON), IFB=-20 μA, VD=ILIMIT condition,	200	-	-	Hz
4	Maximum On-state Time	MAX(ON)	VDD=VDD(ON), IFB=-20 μA, VD=5 V,	10	7.3	12.7	μs
5	VDD start Voltage	VDD(ON)	VD=5 V, IFB=-20 μA,	5.9	5.4	6.4	V
6	VDD stop Voltage	VDD(UV)	VD=5 V, IFB=-20 μA,	4.9	4.4	5.4	V
7	VDD start/stop Voltage Hysteresis	ΔVDD	VDD(ON) - VDD(UV)	1.0	0.5	1.5	V
8	VDD clamp Voltage	VDD(CLP)	IDD=3 mA	6.2	5.6	6.8	V
9	Delta VDD clamp	D_VDD(CLP)	VDD(CLP)-VDD(ON)	0.3	0.05	0.7	V
10	Feedback Current	IFB_STB	ON→OFF VDD=VDD(ON), VD=ILIMIT condition,	-100	-155	-45	μA
11	Feedback Current Hysteresis	IFB(HYS)	OFF→ON VDD=VDD(ON), VD=ILIMIT condition,	4	-	-	μA
12	FB Pin Voltage	VFB	VDD=VDD(ON), IFB=-20 μA, VD=ILIMIT condition,	2	1.65	2.35	V
13	FB Pin Voltage at light load	VFB_STB	VDD=VDD(ON), IFB=IFB_STB, VD=ILIMIT condition,	1.75	1.4	2.1	V
14	FB Pin Grounded Current	IFB_GND	VDD=VDD(ON), VFB=0 V, VD=ILIMIT condition,	-360	-500	-240	μA
15	Pre-start Consuming Current	IDD(SB)	VDD=VDD(ON)-0.3 V, IFB=-20 μA, VD=5 V,	0.22	0.16	0.28	mA
16	Operating Circuit Consuming Current	IDD	VDD=VDD(ON), IFB=-20 μA, VD=ILIMIT condition,	0.38	0.24	0.52	mA
17	Operating Circuit Consuming Current at light load	IDD(OFF)	VDD=VDD(ON), IFB=IFB_STB, VD=ILIMIT condition,	0.38	0.20	0.56	mA
18	VDD Charging Current	Ich1 Ich2	VDD=0 V, VIN=40 V, VDD=5 V, VIN=40 V,	-11 -8	-16.5 -12	-5.5 -4	mA mA



No.	Item	Symbol	Measure Condition (Figure 1)	Typ.	Min.	Max.	Unit
-----	------	--------	---------------------------------	------	------	------	------

【CIRCUIT PROTECTIONS】 \* Design Guarantee Item \*\* Reference Value Item

19	Self Protection Current Limit	ILIMIT	※Figure 4 $t_{on}=30\%$ duty cycle, VDD=VDD(ON),VFB=3 V, VD=adjust,	0.2	0.18	0.22	A
**20	When OCP Detected Oscillation Off-state Time	Tdet(OC)	VDD=VDD(ON), VFB=3 V, VD=adjusted,	1	-	-	$\mu$ s
**21	Light-load Output Current	ID(OFF)	※Figure 4 $t_{on}=30\%$ duty cycle, VDD=VDD(ON),IFB=IFB_STB+5 $\mu$ A, VD=adjust,	80	-	-	mA
22	FB Pin Over Load Charging Current	IFBch	VDD=VDD(ON), VFB=3 V, VD=ILIMIT condition,	-8	-11	-5	$\mu$ A
23	FB Pin Over Load Protection Voltage	VFB(OLP)	VDD=VDD(ON), VD=ILIMIT condition,	4.3	3.7	4.8	V
24	VFB Hysteresis	$\Delta$ VFB	VFB(OLP)-VFB	2.3	1.45	3.15	V
25	OLP VDD Oscillation Count	OLP_CNT	※Figure 3 VDD=VDD(ON) $\leftrightarrow$ VDD(UV), VD=ILIMIT condition, FB=Open,	8			
*26	Leading Edge Blanking Delay	ton(BLK)		330	260	400	ns
*27	Current Limit Delay	td(OCL)		100	65	135	ns
28	VDD current at latch stop	IDD(OV)	ON $\rightarrow$ OFF IFB=-20 $\mu$ A, VD=5 V,	14	9	21	mA
*29	Thermal Shutdown Temperature	TOTP		140	130	150	$^{\circ}$ C
	Thermal Shutdown Temperature Hysteresis	$\Delta$ TOTP		70	-	-	$^{\circ}$ C
30	Power-up Reset Threshold Voltage	VDDreset		2.4	1.5	3.3	V



No.	Item	Symbol	Measure Condition (Figure 1)	Typ.	Min.	Max.	Unit
-----	------	--------	---------------------------------	------	------	------	------

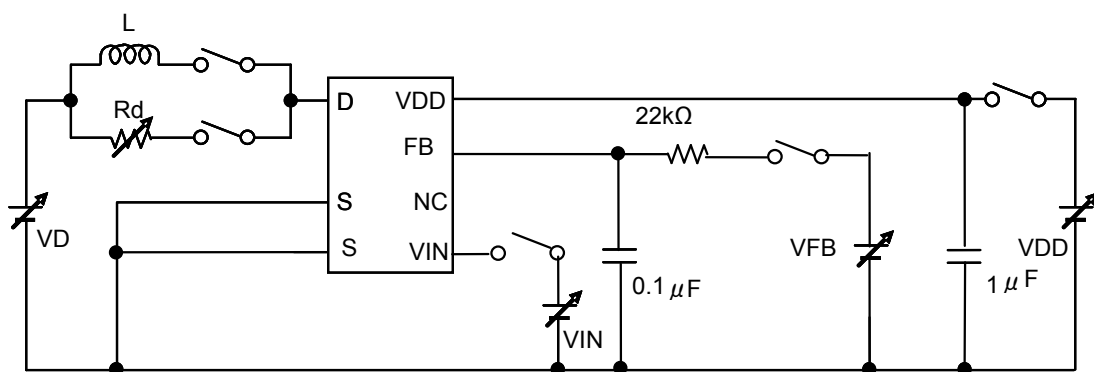
【High Voltage Input】 \* Design Guarantee Item \*\* Reference Value Item

31	Off-state VIN Pin Leakage Current	IIN(LEAK)	VIN=600 V, IDD=IDD(OV)	10	-	20	$\mu$ A
32	VIN Pin Voltage	BVVIN	IIN=100 $\mu$ A, IDD=IDD(OV)	-	650	-	V
33	Minimum VIN Voltage	VIN(MIN)	IFB=-20 $\mu$ A, VD=5 V,	-	50	-	V

【Output】 \* Design Guarantee Item \*\* Reference Value Item

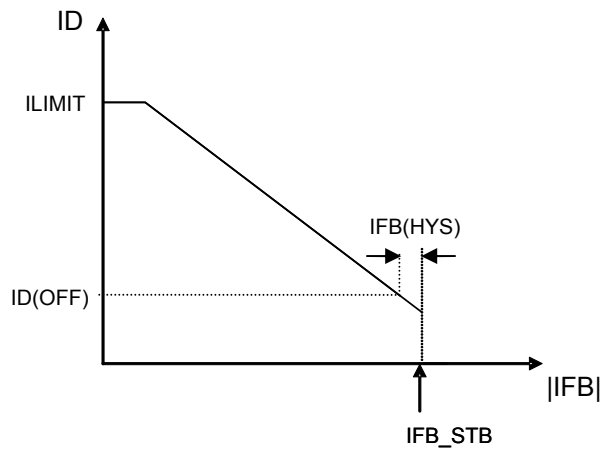
34	ON-State Resistance	RDS(ON)	VDD=VDD(ON), IFB=-20 $\mu$ A, IDS=100 mA,	27	-	37	$\Omega$
35	OFF-State Current	IDSS	IDD=IDD(OV), IFB=-20 $\mu$ A, VD=650 V,	2	-	20	$\mu$ A
36	Breakdown Voltage	VDSS	IDD=IDD(OV), IFB=-20 $\mu$ A, ID=100 $\mu$ A,	-	700	-	V
**37	Rise Time	tr	※Figure 5 VDD=VDD(ON), IFB=-20 $\mu$ A, VD=5 V,	50	-	-	ns
**38	Fall Time	tf	※Figure 5 VDD=VDD(ON), IFB=-20 $\mu$ A, VD=5 V,	50	-	-	ns

【Figure 1 : Measure Circuit】

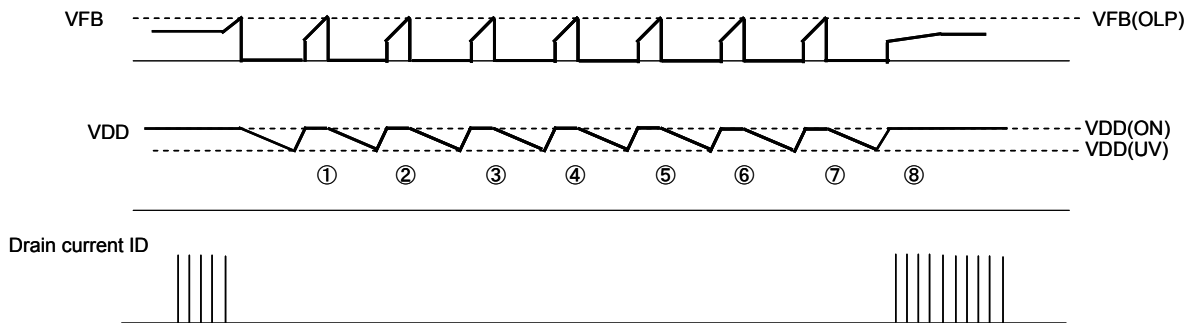




【Figure 2 : ID vs IFB Measurement】

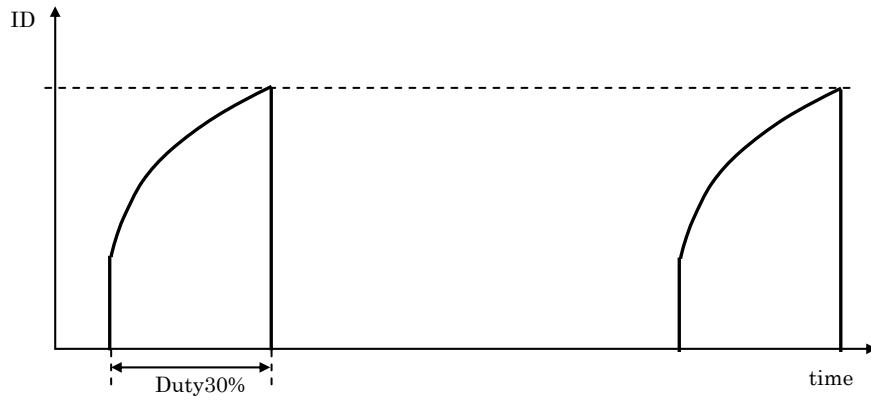


【Figure 3 : Over-Load Detected Measurement】

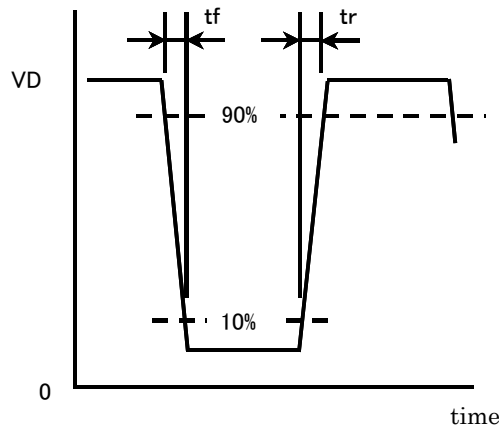




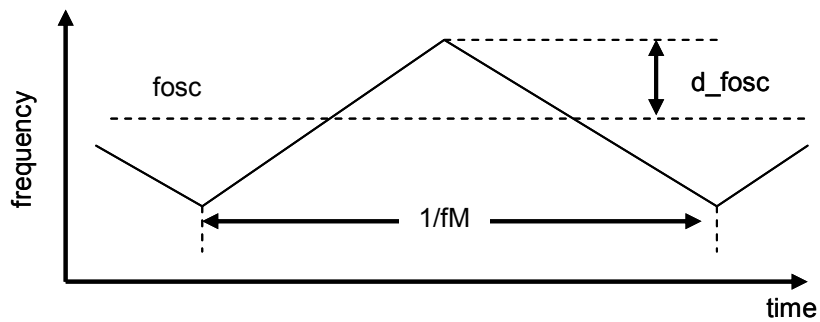
【Figure 4 : ILIMIT, ID(OFF) Measurement】



【Figure 5 :  $t_r$ ,  $t_f$  Measurement】

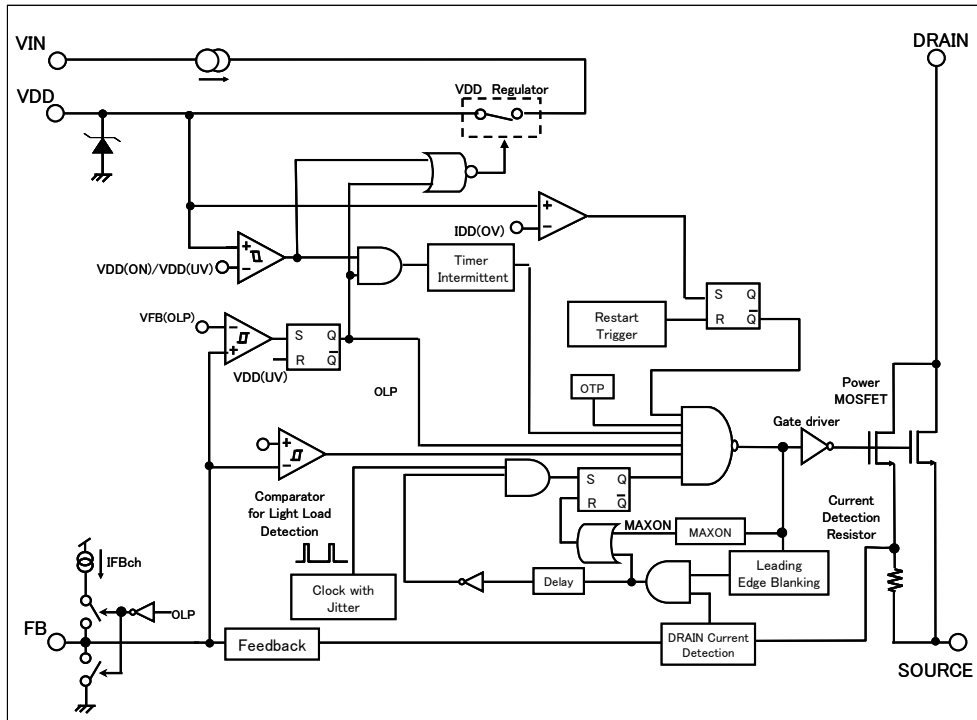


【Figure 6 :  $d_{fosc}$ ,  $f_M$  Measurement】

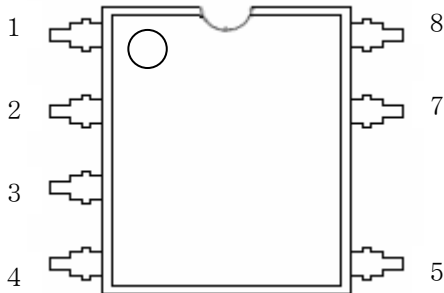




【Figure 7 : Block Diagram】



【Figure 8 : Pin Layout】



Pin No.	Terminal Name
1	VIN
2	NC
3	FB
4	VDD
5	DRAIN
6	—
7	SOURCE
8	SOURCE





**【Precautions for Use 1】**

Connect a Ceramic Capacitor (over 1  $\mu$ F) between VDD Pin and SOURCE.

**【Precautions for Use 2】**

The IPD has risks for break-down or burst or giving off smoke in following conditions. Avoid the following use.  
Fuse should be added at the input side or connect zener diode between control pin and GND, etc as a countermeasure to pass regulatory Safety Standard. Concrete countermeasure could be provided individually. However, customer should make the final judgment.

- (1) DRAIN Pin and VIN Pin reversely connect into power board.
- (2) DRAIN Pin and VIN Pin short circuit.
- (3) DRAIN Pin and FB Pin short circuit.
- (4) DRAIN Pin and VDD Pin short circuit.
- (5) VIN Pin and FB Pin short circuit.
- (6) VIN Pin and VDD Pin short circuit.

## Request for your special attention and precautions in using the technical information and semiconductors described in this book

- (1) If any of the products or technical information described in this book is to be exported or provided to non-residents, the laws and regulations of the exporting country, especially, those with regard to security export control, must be observed.
- (2) The technical information described in this book is intended only to show the main characteristics and application circuit examples of the products. No license is granted in and to any intellectual property right or other right owned by Panasonic Corporation, Nuvoton Technology Corporation Japan or any other company. Therefore, no responsibility is assumed by our company as to the infringement upon any such right owned by any other company which may arise as a result of the use of technical information de-scribed in this book.
- (3) The products described in this book are intended to be used for general applications (such as office equipment, communications equipment, measuring instruments and household appliances), or for specific applications as expressly stated in this book.  
Please consult with our sales staff in advance for information on the following applications, moreover please exchange documents separately on terms of use etc.: Special applications (such as for in-vehicle equipment, airplanes, aerospace, automotive equipment, traffic signaling equipment, combustion equipment, medical equipment and safety devices) in which exceptional quality and reliability are required, or if the failure or malfunction of the products may directly jeopardize life or harm the human body.  
Unless exchanging documents on terms of use etc. in advance, it is to be understood that our company shall not be held responsible for any damage incurred as a result of or in connection with your using the products described in this book for any special application.
- (4) The products and product specifications described in this book are subject to change without notice for modification and/or improvement. At the final stage of your design, purchasing, or use of the products, therefore, ask for the most up-to-date Product Standards in advance to make sure that the latest specifications satisfy your requirements.
- (5) When designing your equipment, comply with the range of absolute maximum rating and the guaranteed operating conditions (operating power supply voltage and operating environment etc.). Especially, please be careful not to exceed the range of absolute maximum rating on the transient state, such as power-on, power-off and mode-switching. Otherwise, we will not be liable for any defect which may arise later in your equipment.  
Even when the products are used within the guaranteed values, take into the consideration of incidence of break down and failure mode, possible to occur to semiconductor products. Measures on the systems such as redundant design, arresting the spread of fire or preventing glitch are recommended in order to prevent physical injury, fire, social damages, for example, by using the products.
- (6) Comply with the instructions for use in order to prevent breakdown and characteristics change due to external factors (ESD, EOS, thermal stress and mechanical stress) at the time of handling, mounting or at customer's process. We do not guarantee quality for disassembled products or the product re-mounted after removing from the mounting board.  
When using products for which damp-proof packing is required, satisfy the conditions, such as shelf life and the elapsed time since first opening the packages.
- (7) When reselling products described in this book to other companies without our permission and receiving any claim of request from the resale destination, please understand that customers will bear the burden.
- (8) This book may be not reprinted or reproduced whether wholly or partially, without the prior written permission of our company.

No.070920

单击下面可查看定价，库存，交付和生命周期等信息

[>>Panasonic\(松下\)](#)