

Notification about the transfer of the semiconductor business

The semiconductor business of Panasonic Corporation was transferred on September 1, 2020 to Nuvoton Technology Corporation (hereinafter referred to as "Nuvoton"). Accordingly, Panasonic Semiconductor Solutions Co., Ltd. became under the umbrella of the Nuvoton Group, with the new name of Nuvoton Technology Corporation Japan (hereinafter referred to as "NTCJ").

In accordance with this transfer, semiconductor products will be handled as NTCJ-made products after September 1, 2020. However, such products will be continuously sold through Panasonic Corporation.

Publisher of this Document is NTCJ.

If you would find description "Panasonic" or "Panasonic semiconductor solutions", please replace it with NTCJ.

※ Except below description page

"Request for your special attention and precautions in using the technical information and semiconductors described in this book"

Nuvoton Technology Corporation Japan

□ MN103SC2 Series

Type	MN103SC2A	MN103SC2D	MN103SFC2D
Internal ROM type	Mask ROM		FLASH
ROM (byte)	32K	64K	
RAM (byte)	4K		
Package (Lead-free)	QFP044-P-1010F		
Minimum Instruction Execution Time	16.7 ns (4.5 V to 5.5 V)		

■ Interrupts

8 external interrupts
 20 internal interrupts: Watchdog timer. Timer. Serial I/F. PWM. A/D conversion finish. System error

■ Timer Counter

8-bit timer × 4
 Timer 0 to 3Interval timer. Event count. Cascading connectable
 16-bit timer × 2
 Timer 4Interval timer. Event count. PWM output (6 pins simultaneous output are available). Double buffer
 Timer 5Interval timer. Double buffer. Start synchronized with 3-phase PWM are available
 Watchdog timer × 1

■ Serial interface

UART (full duplex) /Synchronous interfaces selective × 1
 Serial 0.....1-bit to 8-bit transmission (synchronous). 2 and 3 channel type selectable (synchronous)

■ I/O Pins

I/O 29 : Common use × 29

■ A/D converter

10-bit × 2 unit. Total 8 channels
 Simultaneous conversion of 2 series are available. With S/H
 Conversion start synchronized with 3-phase PWM or timer 5 are available

■ Motor Control PWM

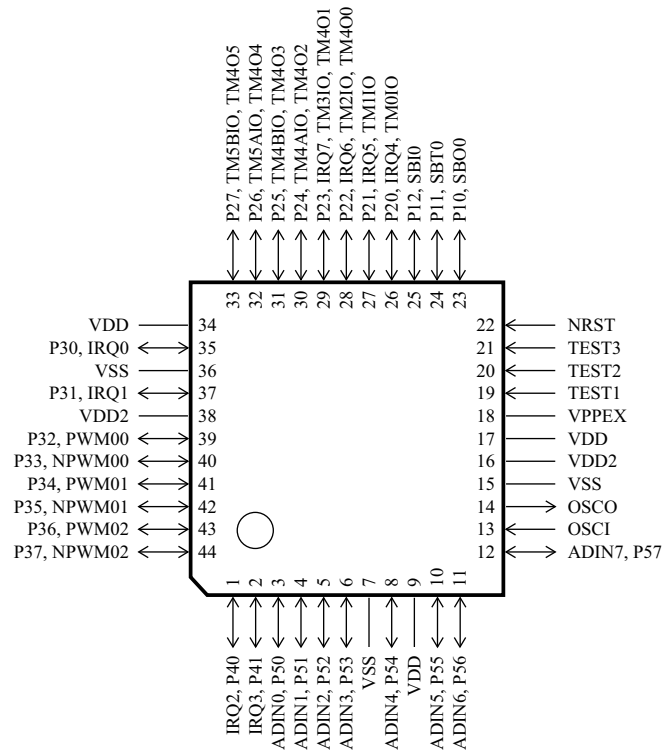
16-bit 3-phase PWM × 1
 Minimum resolution: 16.7 ns
 Triangular waveform or jigsaw waveform. Dead time setup. Double buffer. Output polar switching is available. PWM output pin protect function

■ Electrical Characteristics (A/D converter characteristics)

Parameter	Symbol	Condition	Limit			Unit
			min	typ	max	
Non-linear error		10-bit			±3	LSB
A/D conversion time	TAD		1.0			μs
Analog input voltage	VIA		VSS		VDD	V

Ta = 25 °C. VDD = 5.0 V. VSS = 0 V

■ Pin Assignment
QFP044-P-1010F



Request for your special attention and precautions in using the technical information and semiconductors described in this book

- (1) If any of the products or technical information described in this book is to be exported or provided to non-residents, the laws and regulations of the exporting country, especially, those with regard to security export control, must be observed.
- (2) The technical information described in this book is intended only to show the main characteristics and application circuit examples of the products. No license is granted in and to any intellectual property right or other right owned by Panasonic Corporation, Nuvoton Technology Corporation Japan or any other company. Therefore, no responsibility is assumed by our company as to the infringement upon any such right owned by any other company which may arise as a result of the use of technical information de-scribed in this book.
- (3) The products described in this book are intended to be used for general applications (such as office equipment, communications equipment, measuring instruments and household appliances), or for specific applications as expressly stated in this book.
Please consult with our sales staff in advance for information on the following applications, moreover please exchange documents separately on terms of use etc.: Special applications (such as for in-vehicle equipment, airplanes, aerospace, automotive equipment, traffic signaling equipment, combustion equipment, medical equipment and safety devices) in which exceptional quality and reliability are required, or if the failure or malfunction of the products may directly jeopardize life or harm the human body.
Unless exchanging documents on terms of use etc. in advance, it is to be understood that our company shall not be held responsible for any damage incurred as a result of or in connection with your using the products described in this book for any special application.
- (4) The products and product specifications described in this book are subject to change without notice for modification and/or improvement. At the final stage of your design, purchasing, or use of the products, therefore, ask for the most up-to-date Product Standards in advance to make sure that the latest specifications satisfy your requirements.
- (5) When designing your equipment, comply with the range of absolute maximum rating and the guaranteed operating conditions (operating power supply voltage and operating environment etc.). Especially, please be careful not to exceed the range of absolute maximum rating on the transient state, such as power-on, power-off and mode-switching. Otherwise, we will not be liable for any defect which may arise later in your equipment.
Even when the products are used within the guaranteed values, take into the consideration of incidence of break down and failure mode, possible to occur to semiconductor products. Measures on the systems such as redundant design, arresting the spread of fire or preventing glitch are recommended in order to prevent physical injury, fire, social damages, for example, by using the products.
- (6) Comply with the instructions for use in order to prevent breakdown and characteristics change due to external factors (ESD, EOS, thermal stress and mechanical stress) at the time of handling, mounting or at customer's process. We do not guarantee quality for disassembled products or the product re-mounted after removing from the mounting board.
When using products for which damp-proof packing is required, satisfy the conditions, such as shelf life and the elapsed time since first opening the packages.
- (7) When reselling products described in this book to other companies without our permission and receiving any claim of request from the resale destination, please understand that customers will bear the burden.
- (8) This book may be not reprinted or reproduced whether wholly or partially, without the prior written permission of our company.

No.070920

单击下面可查看定价，库存，交付和生命周期等信息

[>>Panasonic\(松下\)](#)