

SPECIFICATION
FOR
MAGNETIC CARD READER
(Manual Insertion type)

Z U - M 2 1 2 1 S 2 1

JUN. 2001

Date :

Signature for approval

Read and agreed by

MATSUSHITA ELECTRIC INDUSTRIAL CO., LTD.

MATSUSHITA INDUSTRIAL EQUIPMENT CO., LTD.
OSAKA JAPAN

REVISED RECORD

Date	Document No.	Contents of revision	Page

CONTENTS

1. INTRODUCTION.....	1
2. PRODUCT NAME	1
3. FUNCTION.....	1
4. EQUIPMENT SPECIFICATION	1
5. CARD STANDARD	2
6. CIRCUIT CONSTRUCTION.....	3
7. ENVIRONMENTAL CHARACTERISTICS.....	5
8. UNIT LIFE	6
9. LIMITED GUARANTEE OF ONE YEAR	6
10. MAINTENANCE	6
11. CAUTIONS ON THE USE.....	6
12. APPEARANCE.....	8

1. INTRODUCTION

This specification describes about manual Insertion type magnetic card reader, featuring small size, light weight and high performance which enable to read card data encoded by following ISO 2 standard.

2. PRODUCT NAME

- 2.1 Product Name : Manual Insertion type magnetic card reader
- 2.2 Model No. : ZU-M2121S21

3. FUNCTION

- 3.1 Card operation : One way ,Insertion
- 3.2 Read/Write : Read only
- 3.3 Read timing : Insertion

4. EQUIPMENT SPECIFICATION

- 4.1 Card operating speed : 10 cm/s ~ 120 cm/s
- 4.2 Out dimension : (W) 61 mm × (D) 77 mm × (H) 18 mm
- 4.3 Mass : Approximately 34 g
- 4.4 Supplied voltage
 - (1)Supplied voltage : DC 5 V(tolerance ± 10%) / Ripple(Less than 50 mVp.p)
 - (2)Current consumption : TYP. 10 mA, MAX.13 mA
 - (3)Absolute maximum applied voltage : DC 7 V
- 4.5 Connector : IMSA-9204B-1-06Z002-GF
(IRISO ELECTRONICS CO.,Ltd)(Refer No 6.5)
- 4.6 Environment requirement : Indoor

5. CARD STANDARD

5.1 Card standard

Materials and dimensions of the card should be submitted to ISO standards. But defined items in this specification are prior to these standards.

Card Standard	ISO 7810, ISO 7811
	Track 2 nd
Recording density	75 BPI
Recording capacity	23 Characters (5 bit code)
Recording method	F2F

Note: Start sentinel, End sentinel and LRC are Included in the recording capacity.

5.2 Location of tracks

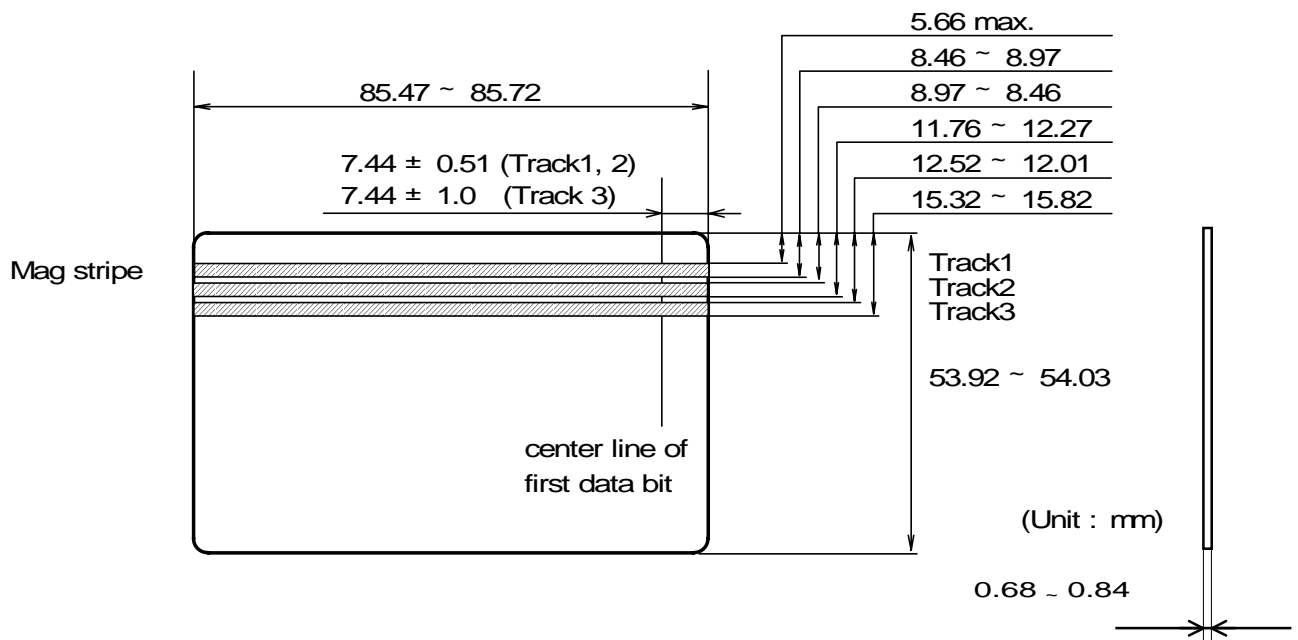


Figure 6.2 Location of Tracks

5.3 Physical characteristics

- (1) Thickness : 0.76 mm (tolerance ± 0.08 mm)
- (2) Transformation : 2.5 mm (MAX.)
(include relief height of embossed characters)

5.4 Magnetic characteristics

- (1) Coercive force (Hc) : 2.4×10^4 A/m ~ 2.4×10^5 A/m
- (2) Residual flux (ϕ_r) : 1.25×10^{-8} Wb/cm ± 0.15×10^{-8} Wb/cm
- (3) Squareness ratio (ϕ_r / ϕ_m) : More than 0.70

6. CIRCUIT CONSTRUCTION

6.1 Block diagram

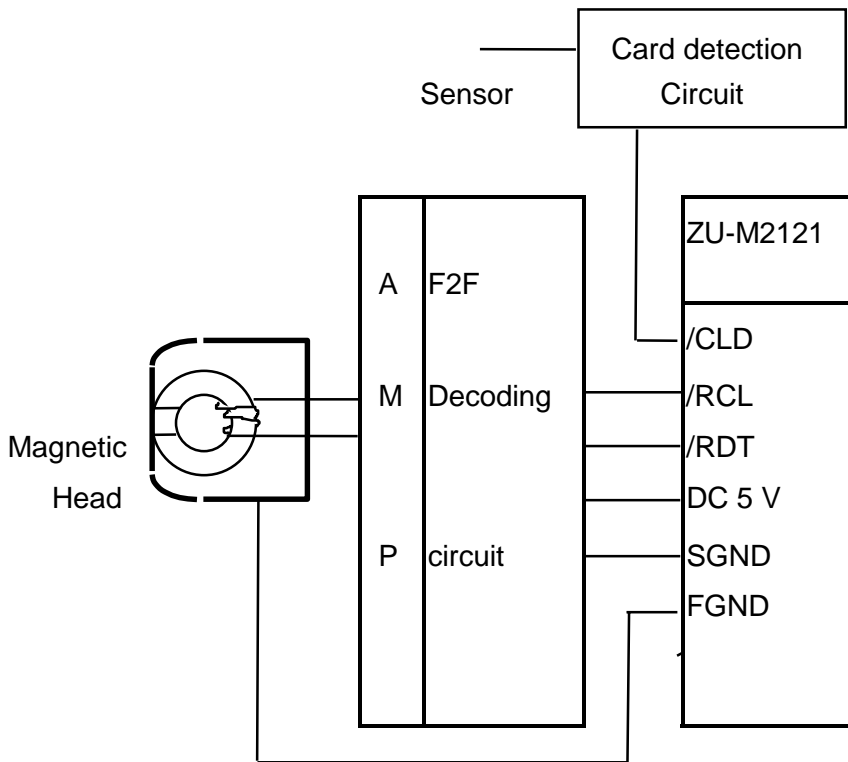


Fig 6.1 Block diagram

6.2 Interface requirement

- (1) Signal Level : CMOS level
- (2) Signal Logic : Low active
- (3) Connection condition

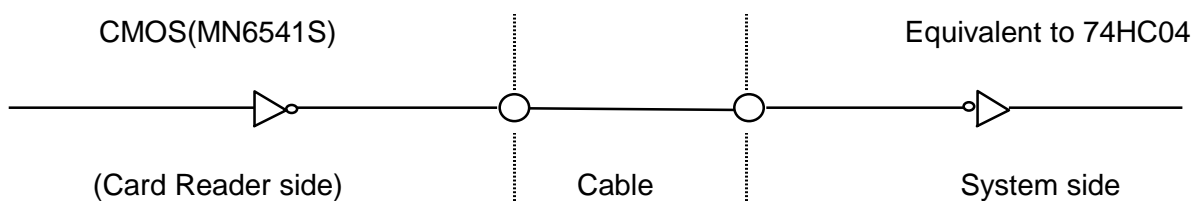


Fig 6.2 Connection of output circuit

- (4) Output voltage

Table 6.2 Output voltage

	Min(V)	Max(V)	Conditions
H level "0"	4.0	V _{cc}	I _{OH} = -1.0 mA
L level "1"	-	0.4	I _{OL} = 4.0 mA

6.3 Explanation of input/output signal

- (1) /CLD(CARD LOAD) : The /CLD line will be Low when a Magnetic Card exists in the Magnetic Card Reader.
The /CLD line will be High at all other times.
- (2) /RCL(READ CLOCK) : This is used to sample the data line by it's falling edges. The time relationship of the clock with respect to the order signals is shown in Figure 6.4.1.
- (3) /RDT(READ DATA) : The moment /RCL change from High to Low ; /RDT is "1" when the /RDT line is Low , and /RDT is "0" when the /RDT line is High.
- (4) SGND : Signal GND
- (5) FGND : Frame GND

6.4 Output signal timing chart

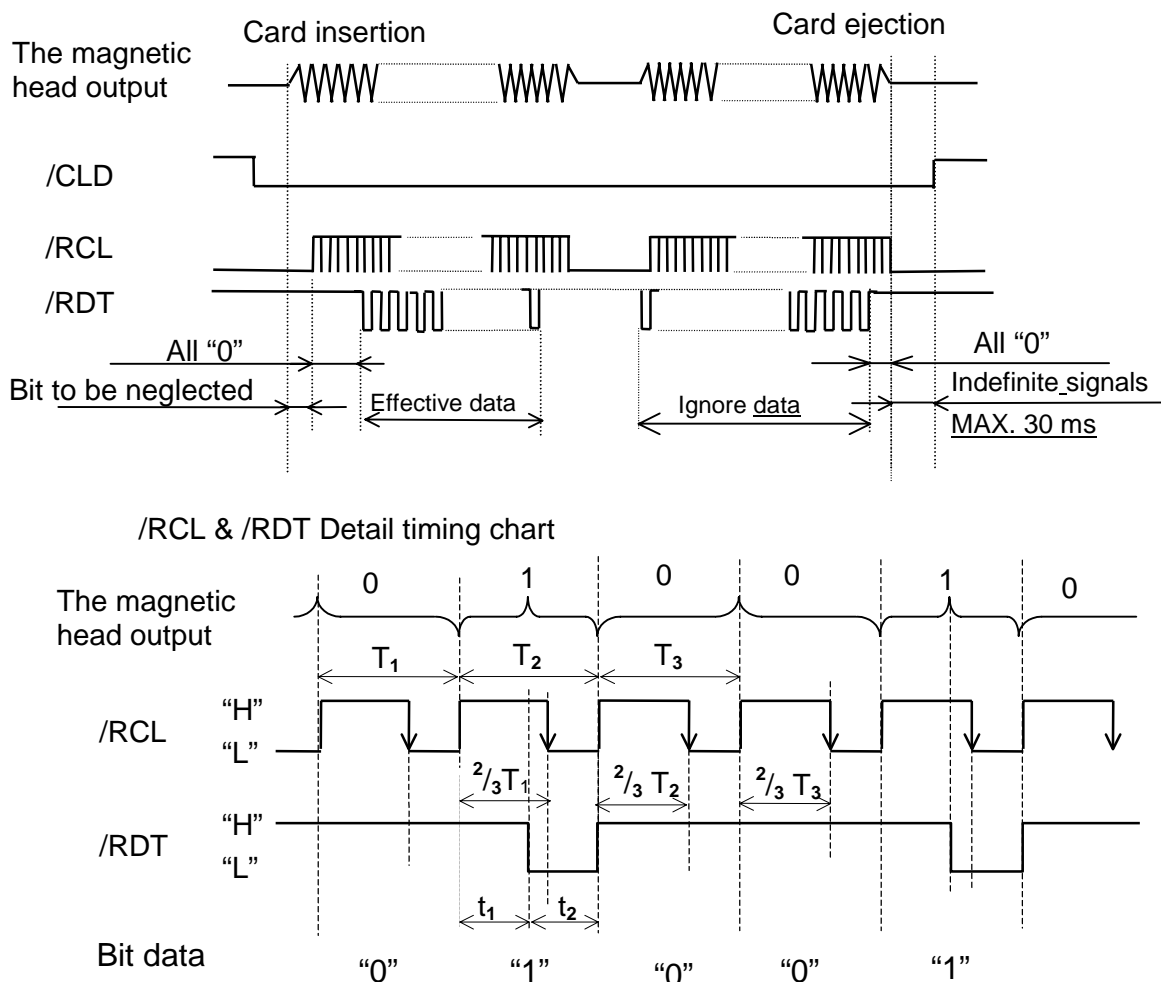


Fig 6.4.1 Timing sequence (Detail)

When the jitter of the magnetic head output is 0 % , the following equation is satisfied.

$$T = T_1 = T_2 = T_3, \quad t_1 = t_2$$

$$T(s) = \frac{2.54 \text{ cm/inch}}{\text{Recording density (BPI)}} \times \frac{1}{\text{Card speed(cm/s)}}$$

6.5 Terminal No. of connector

- (1) Maker : IRISO ELECTRONICS Co.,Ltd.
(2) Model No : IMSA-9204B-1-06Z002-GF(Connect for PC.Board)

Pin No. & Signal Name

(Card reader side)

Connector Pin No.	Signal Name
1	FGND
2	SGND
3	DC 5 V
4	/RDT
5	/RCL
6	/CLD

(Note) : Cable length shall be less than 300 mm .

7. ENVIRONMENTAL CHARACTERISTICS

7.1 Operating temperature Range : -20 ~ 60

7.2 Operating humidity Range : 10 % ~ 90 % RH (No condensation allowed)

7.3 Storage temperature Range : -30 ~ 70

7.4 Storage humidity Range : 10 % ~ 95 % RH (No condensation allowed)

Place the card reader in the standard environment (temperature: 20 ± 5 , humidity: 35 % to 60 %RH).

Leave it for 12 hours, and measure the functions. Make sure no abnormality is found.

7.5 Vibration : Vibration sweep 10 Hz ~ 50 Hz, 10 m/s² , 0.5 oct/min
X,Y,Z directions

7.6 Shock durability : 294 m/s² (30 G)

7.7 Others : Confirmed the source of noise that may deteriorate the characteristics of the card reader is not present around the card reader.

8. UNIT LIFE

Life Magnetic head : 300,000 operation
(conditions) In a clean office room.

In damp or dirty atmosphere, the life may be 1/3 to 1/5 of the above figure.

9. LIMITED GUARANTEE OF ONE YEAR

If defects should occur within one year after the delivery of the card reader due to improper material or bad workmanship, the defective parts shall be replaced or repaired, free of charge.

10. MAINTENANCE

Because of difficulty in changing components on the P.C Board, replacement of whole unit is recommended for service and maintenance.

11. CAUTIONS ON THE USE

Please be noted that we do not guarantee proper performance of the card reader if it is used other than the indicated specification range.

11.1 At the installation

(1) Be sure to install on a flat surface so as to prevent any force to be applied to the card reader at the installation.

(2) Do not touch the P.C.B. with bare hands.

(3) Do not drop or bump anything against a card reader. Otherwise, failure may be the result.

(4) The card reader should avoid installation of the following environment.

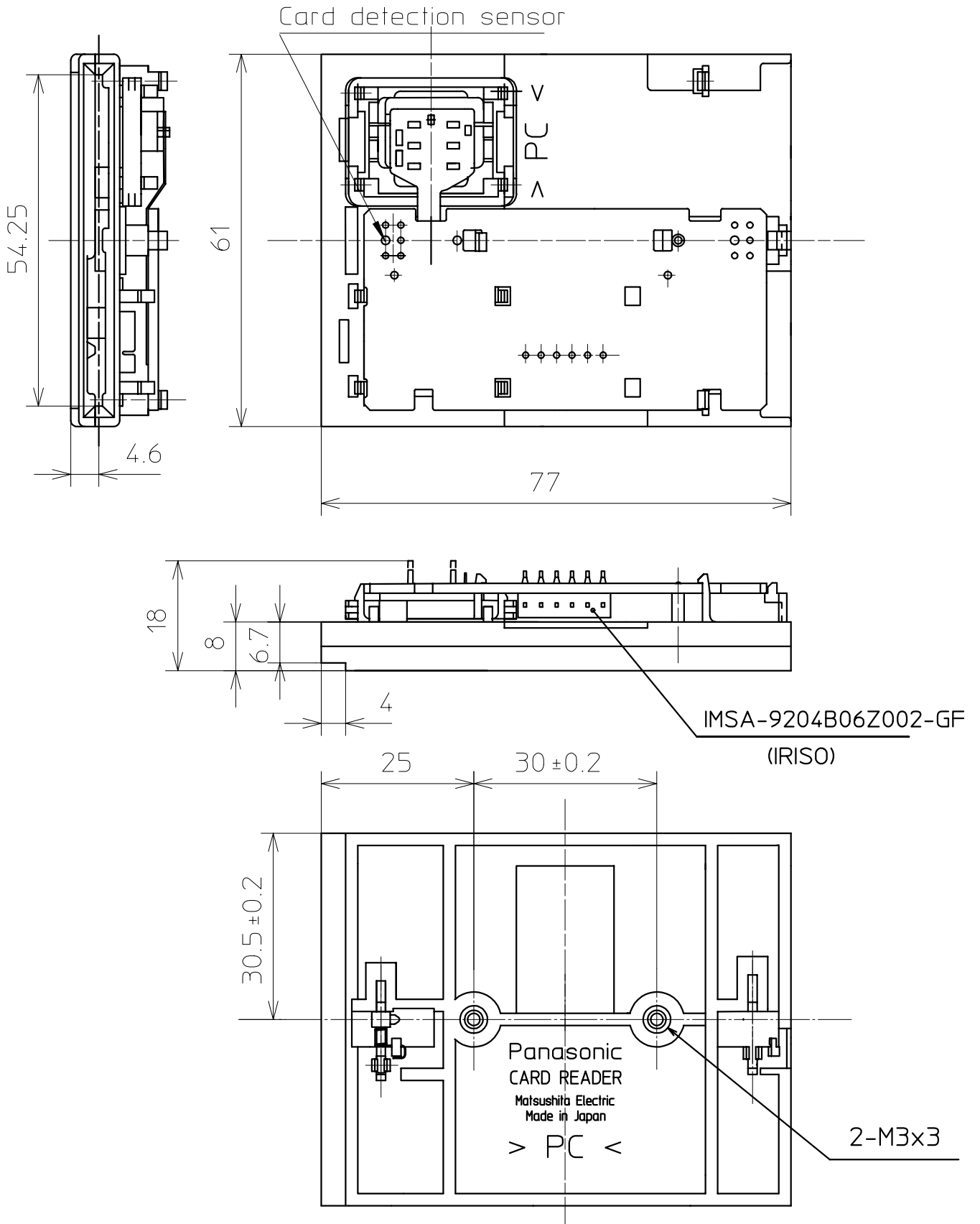
- Watery, humid or dusty place.
- Near machines which generate magnetic field or inducted noise.
(Printer, LED display, CRT etc.)
- Place which gets direct sunlight.

11.2 At the use

- (1) Be sure to use a card which conforms ISO standard.
Anti-magnetic of the applied card should be $2.4 \times 10^4 \sim 2.4 \times 10^5$ A/m of ISO standard.
- (2) Card operation speed should be within the specification range.
Forced stop or change of speed during the card operation may cause a read error.
Appropriate speed to maintain stable operation is 30 cm/s ~ 60 cm/s.
- (3) Store the card with caution to prevent dirt, scratch and distortion.
Especially, no foreign matter shall be stuck on the magnetic stripe surface.
Use of such card may result in a read error.
- (4) Insert a cleaning card and clean the head periodically to prevent wearing of the magnetic head.
Head cleaning using the cleaning card should be performed about once a week if the room is not dusty.
- (5) Depends on installation environment (incorporation condition) or operation condition, external noise or electrostatics and so on may affect the machine, and which may cause an error or a wrong operation.
Check the level of noise resistance and electrostatic resistance of your factory before using the card read.

12. APPEARANCE

General Dimension Tolerance ± 0.5
unit: mm



单击下面可查看定价，库存，交付和生命周期等信息

[>>Panasonic\(松下\)](#)