

**Surge withstand voltage:  
6kV  
1a/1c 30A power relays**

## JT-V RELAYS



PCB type



TMP type

### FEATURES

- Surge withstand voltage: 6,000 V
- High switching capacity — 30 A for 1 Form A
- 2 contact arrangements — 1 Form A or 1 Form C
- “TMP” types available
- UL/C-UL recognized
- Class F types standard

### TYPICAL APPLICATIONS

- Oven
- Heating & ventilation
- Home appliance

## ORDERING INFORMATION

JTV  -  -  -

Contact arrangement  
1a: 1 Form A  
1: 1 Form C

Protective construction  
S: Sealed type  
G: Dust cover type

Mounting classification  
TMP: TMP type  
PA: PCB type

Nominal coil voltage, DC  
12V, 18V, 24V, 48V

Notes: 1. Certified by UL/C-UL  
2. 5 V, 6 V, 9 V DC types are also available. Please contact us for details.

## TYPES

### 1. 1 Form A Dust cover type

Nominal coil voltage	Part No.	
	PCB type	TMP type
12V DC	JTV1aG-PA-12V	JTV1aG-TMP-12V
18V DC	JTV1aG-PA-18V	JTV1aG-TMP-18V
24V DC	JTV1aG-PA-24V	JTV1aG-TMP-24V
48V DC	JTV1aG-PA-48V	JTV1aG-TMP-48V

Standard packing: PCB type: Carton: 50 pcs.; Case: 500 pcs.  
TMP type: Carton: 50 pcs.; Case: 300 pcs.

### 2. 1 Form C Dust cover type

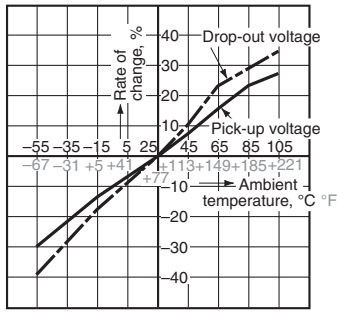
Nominal coil voltage	Part No.	
	PCB type	TMP type
12V DC	JTV1G-PA-12V	JTV1G-TMP-12V
18V DC	JTV1G-PA-18V	JTV1G-TMP-18V
24V DC	JTV1G-PA-24V	JTV1G-TMP-24V
48V DC	JTV1G-PA-48V	JTV1G-TMP-48V

Standard packing: PCB type: Carton: 50 pcs.; Case: 500 pcs.  
TMP type: Carton: 50 pcs.; Case: 300 pcs.

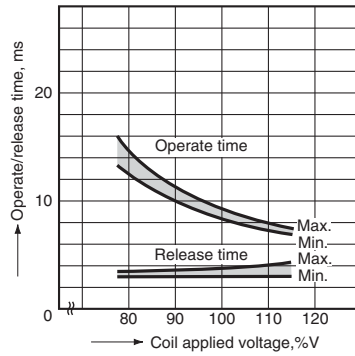


**REFERENCE DATA**

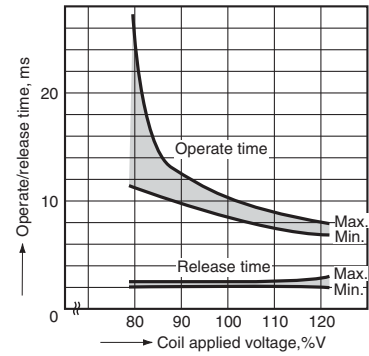
1. Change of rate of pick-up and drop-out voltage (at 20°C 68°F)  
 Sample: JTV1S-TMP-24V (6 pcs.)



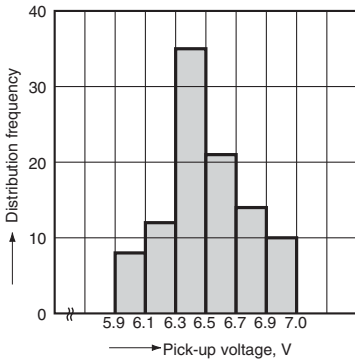
2. Operate/release time  
 Sample: JTV1S-TMP-24V



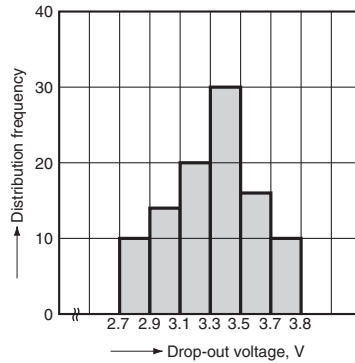
3. Operate/release time  
 Sample: JTV1aS-PA-24V



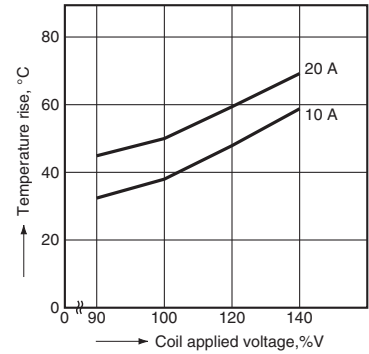
4. Distribution frequency of pick-up voltage (at 20°C 68°F)  
 Sample: JTV1S-TMP-12V (100 pcs.)



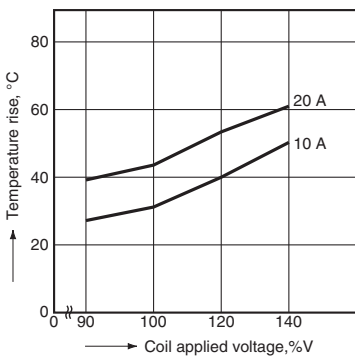
5. Distribution frequency of drop-out voltage (at 20°C 68°F)  
 Sample: JTV1S-TMP-12V (100 pcs.)



6.-(1) Coil temperature rise (TMP type)\*  
 Ambient temperature: 25°C 77°F  
 Sample: JTV1aS-TMP-12V (6 pcs.)



6.-(2) Coil temperature rise (TMP type)\*  
 Ambient temperature: 85°C 185°F  
 Sample: JTV1aS-TMP-12V (6 pcs.)

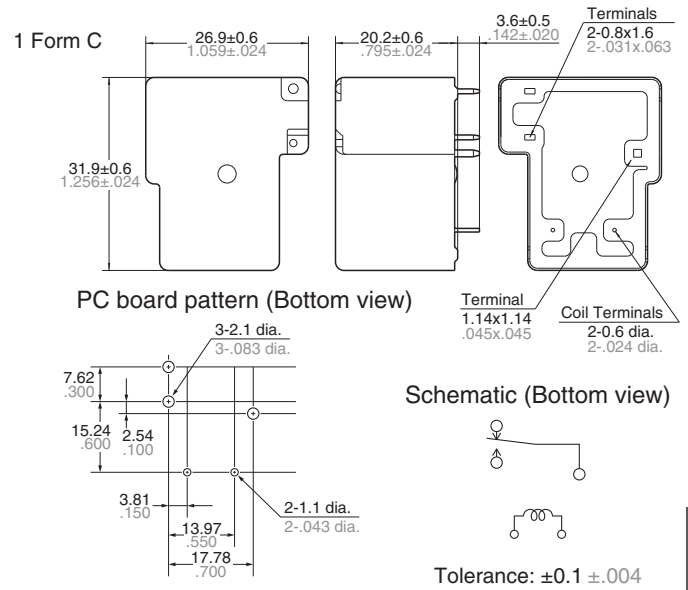
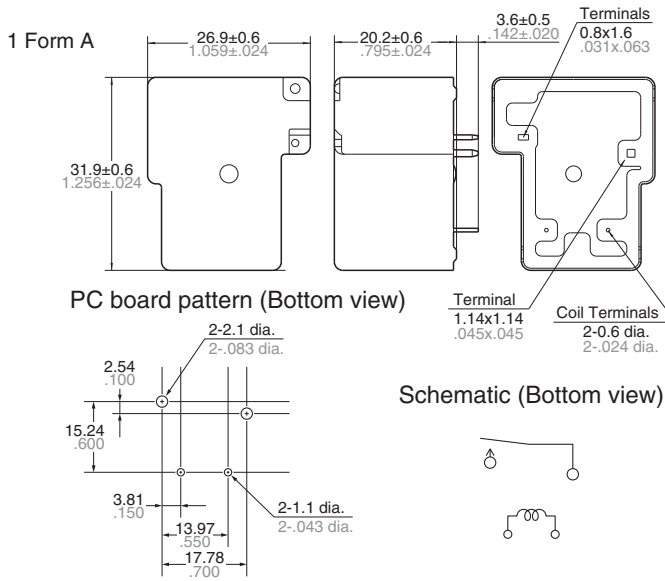


**DIMENSIONS** (mm inch)

Download **CAD Data** from our Web site.

**1. PCB type**

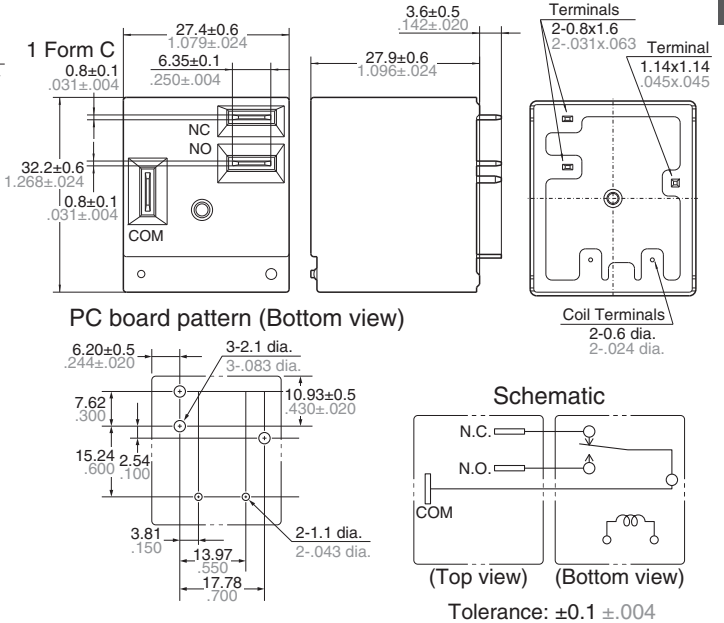
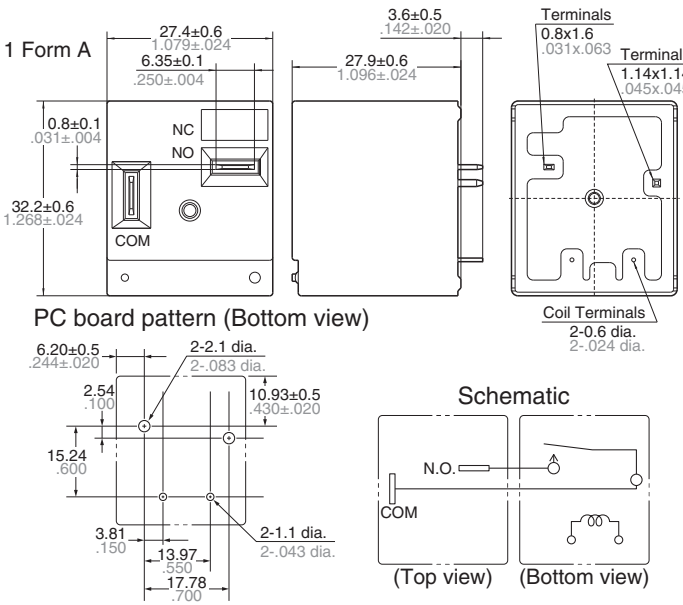
**CAD Data**



Tolerance: ±0.1 ±.004

**2. TMP type**

**CAD Data**



Tolerance: ±0.1 ±.004

**SAFETY STANDARDS**

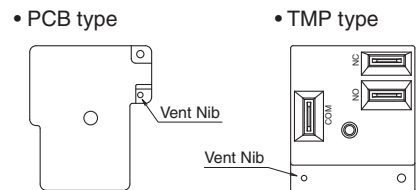
Item	UL/C-UL (Recognized)	
	File No.	Contact rating
1 Form A	E43028	30A 277V AC, 30A 28V DC, 2HP 250V AC
1 Form C	N.O.	E43028 20A 277V AC, 20A 28V DC, 2HP 250V AC
	N.C.	E43028 10A 277V AC, 10A 28V DC, 1/2HP 250V AC

\* CSA standard: Certified by C-UL

**NOTES**

**1. Electrical life**

In order to obtain the full rated life cycles, the relay should be properly vented by removing the vent nib after the soldering/washing process.



**For Cautions for Use, see Relay Technical Information (page 610).**

单击下面可查看定价，库存，交付和生命周期等信息

[>>Panasonic\(松下\)](#)