

3.5 mm×2.9 mm SMD Light Touch Switches

Type: **EVPAA**



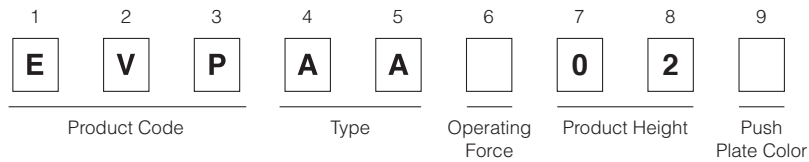
■ Features

- External dimensions : 3.5 mm×2.9 mm, Height 1.7 mm
- High operating force available
(Operating force : 7.0 N max.)
- Optional ground terminal

■ Recommended Applications

- Operation switches for portable electronic equipments
(Mobile phones, Digital still cameras, etc.)
- Operating switches for keyless entry systems

■ Explanation of Part Numbers



■ Specifications

Type		Snap action/Push-on type SPST
Electrical	Rating	10 μA 2 V DC to 20 mA 15 V DC (Resistive load)
	Contact Resistance	100 mΩ max.
	Insulation Resistance	100 MΩ min. (at 100 V DC)
	Dielectric Withstanding Voltage	250 V AC for 1 minute
	Bouncing	10 ms max. (ON, OFF)
Mechanical	Operating Force	1.0 N, 1.6 N, 2.4 N, 3.5 N, 5.0 N, 7.0 N
	Travel	0.15 mm±0.1 mm
Endurance	Operating Life	1,000,000 cycles min. (1.0 N) 500,000 cycles min. (3.5 N) 200,000 cycles min. (1.6 N, 2.4 N, 3.5 N) 100,000 cycles min. (5.0 N, 7.0 N)
Operating Temperature		-40 °C to +85 °C
Storage Temperature		-40 °C to +85 °C (Bulk) -20 °C to +60 °C (Taping)
Minimum Quantity/Packing Unit		5,000 pcs. Embossed Taping (Reel Pack)
Quantity/Carton		25,000 pcs.

Note: Non washable

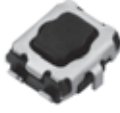
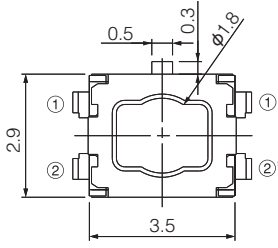
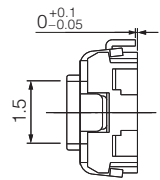
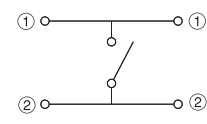
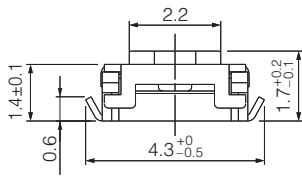
Design and specifications are each subject to change without notice. Ask factory for the current technical specifications before purchase and/or use. Should a safety concern arise regarding this product, please be sure to contact us immediately.

■ Dimensions in mm (not to scale)

<p>No. 1</p> <p>EVPAA</p> <p>(Embossed Taping) Thickness : 1.7 mm With J-bent terminals Without Ground Terminal</p> 	<p>(Tolerance ± 0.2) () dimensions are reference dimensions.</p>       <p>PWB land pattern for reference</p>			
<p>Part Numbers</p>	<p>Ground Terminal</p>	<p>Operating Force</p>	<p>Push Plate Color</p>	<p>Operating Life</p>
<p>EVPA002K</p>	<p>Without</p>	<p>1.0 N</p>	<p>Black</p>	<p>1,000,000 cycles</p>
<p>EVPA202K</p>	<p>Without</p>	<p>1.6 N</p>	<p>Black</p>	<p>200,000 cycles</p>
<p>EVPA402W</p>	<p>Without</p>	<p>2.4 N</p>	<p>White</p>	<p>200,000 cycles</p>
<p>EVPA602W</p>	<p>Without</p>	<p>3.5 N</p>	<p>White</p>	<p>200,000 cycles</p>
<p>EVPAAM02W</p>	<p>Without</p>	<p>3.5 N</p>	<p>White</p>	<p>500,000 cycles</p>
<p>EVPA802Q</p>	<p>Without</p>	<p>5.0 N</p>	<p>Gray</p>	<p>100,000 cycles</p>
<p>EVPAAN02Q</p>	<p>Without</p>	<p>5.0 N</p>	<p>Gray</p>	<p>100,000 cycles (High load : 10N)</p>
<p>EVPAAU02Q</p>	<p>Without</p>	<p>7.0 N</p>	<p>Gray</p>	<p>100,000 cycles</p>

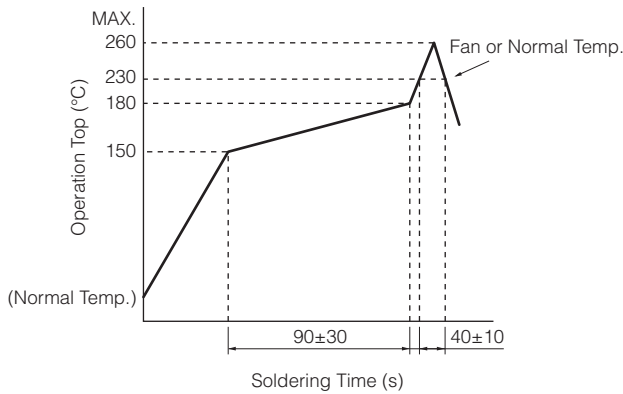
Design and specifications are each subject to change without notice. Ask factory for the current technical specifications before purchase and/or use.
 Should a safety concern arise regarding this product, please be sure to contact us immediately.

■ Dimensions in mm (not to scale)

<p>No. 2</p> <p>EVPAA</p> <p>(Embossed Taping) Thickness : 1.7 mm With J-bent terminals With Ground Terminal</p> 	<p>(Tolerance ± 0.2) () dimensions are reference dimensions.</p>    <p>Circuit diagram</p>  <p>PWB land pattern for reference</p>			
<p>Part Numbers</p>	<p>Ground Terminal</p>	<p>Operating Force</p>	<p>Push Plate Color</p>	<p>Operating Life</p>
<p>EVPAA102K</p>	<p>With</p>	<p>1.0 N</p>	<p>Black</p>	<p>1,000,000 cycles</p>
<p>EVPAA302K</p>	<p>With</p>	<p>1.6 N</p>	<p>Black</p>	<p>200,000 cycles</p>
<p>EVPAA502W</p>	<p>With</p>	<p>2.4 N</p>	<p>White</p>	<p>200,000 cycles</p>
<p>EVPAA702W</p>	<p>With</p>	<p>3.5 N</p>	<p>White</p>	<p>200,000 cycles</p>
<p>EVPAAQ02W</p>	<p>With</p>	<p>3.5 N</p>	<p>White</p>	<p>500,000 cycles</p>
<p>EVPAA902Q</p>	<p>With</p>	<p>5.0 N</p>	<p>Gray</p>	<p>100,000 cycles</p>
<p>EVPAAR02Q</p>	<p>With</p>	<p>5.0 N</p>	<p>Gray</p>	<p>100,000 cycles (High load : 10N)</p>

Design and specifications are each subject to change without notice. Ask factory for the current technical specifications before purchase and/or use.
 Should a safety concern arise regarding this product, please be sure to contact us immediately.

■ Recommended Reflow Soldering Conditions



● Embossed Carrier Taping



Taping condition : Lack of products in the middle of taping should be one MAX, but total quantity specified in the specifications should be secured.

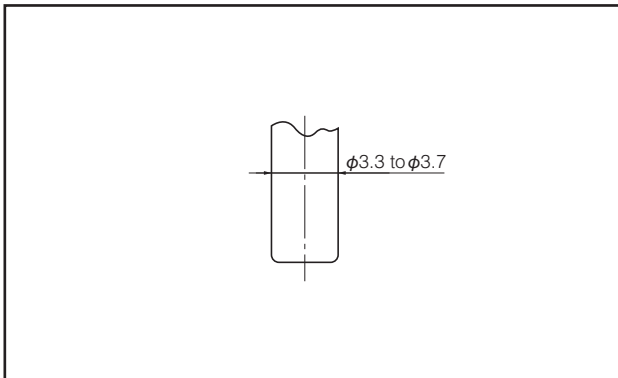
Peeling off strength of top tape : It should be within 0.2N to 1.0N at 165 degree in peeling off angle.

Joint of carrier tape : One joint per one reel may exist.

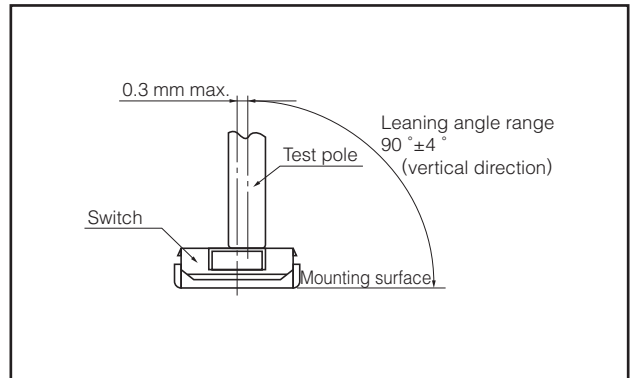
Unit: mm

Part No.	Height	A	B	W	F	E	P ₁	P ₂	P ₀	D ₀ Dia	t ₁	t ₂
EVPAA	1.7	4.5±0.2	3.8±0.2	12.0±0.3	5.5±0.1	1.75±0.10	8.0±0.1	2.0±0.1	4.0±0.1	1.5 ^{+0.1}	0.3±0.1	1.85±0.20

■ Recommended Shape of Test Pole



■ Recommended Operating Conditions



Design and specifications are each subject to change without notice. Ask factory for the current technical specifications before purchase and/or use. Should a safety concern arise regarding this product, please be sure to contact us immediately.

单击下面可查看定价，库存，交付和生命周期等信息

[>>Panasonic\(松下\)](#)