



# SB20100LFCT

## DUAL LOW VF SCHOTTKY RECTIFIER

**VOLTAGE** 100 Volts **CURRENT** 20 Amperes

ITO-220AB

Unit: inch ( mm )

### FEATURES

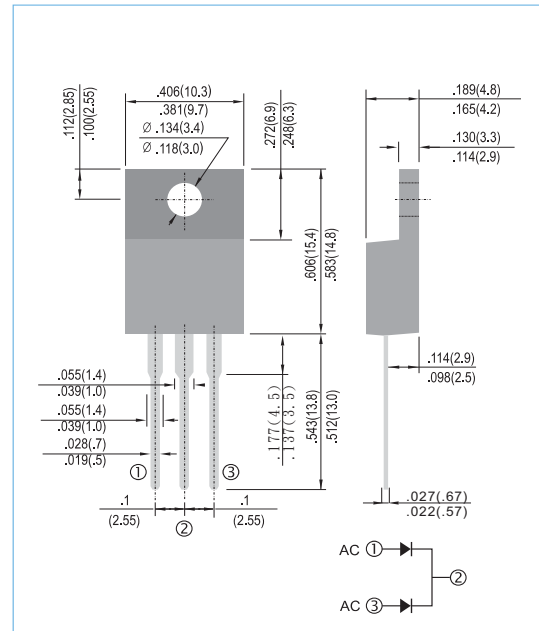
- Low forward voltage drop, low power losses
- High efficiency operation
- In compliance with EU RoHS 2002/95/EC directives

### MECHANICAL DATA

Case : ITO-220AB, Plastic

Terminals : Solderable per MIL-STD-750, Method 2026

Weight: 0.055 ounces, 1.5615 grams.



### MAXIMUM RATINGS( $T_A=25^\circ\text{C}$ unless otherwise noted)

| PARAMETER   | SYMBOL          | VALUE        | UNIT               |
|---|-----------------|--------------|--------------------|
| Maximum repetitive peak reverse voltage   | $V_{RRM}$       | 100          | V                  |
| Maximum average forward rectified current (Fig.3)   | $I_{F(AV)}$     | 20<br>10     | A                  |
| Peak forward surge current 8.3ms single half sine-wave superimposed on rated load per diode | $I_{FSM}$       | 200          | A                  |
| Typical thermal resistance  | $R_{\theta JC}$ | 4.5          | $^\circ\text{C/W}$ |
| Operating junction  | $T_J$           | -55 to + 150 | $^\circ\text{C}$   |
| Storage temperature range   | $T_{STG}$       | -55 to + 150 | $^\circ\text{C}$   |

### ELECTRICAL CHARACTERISTICS( $T_A=25^\circ\text{C}$ unless otherwise noted)

| PARAMETER  | SYMBOL   | TEST CONDITIONS                     | MIN. | TYP.         | MAX.         | UNIT                |
|--|----------|-------------------------------------|------|--------------|--------------|---------------------|
| Breakdown voltage per diode                            | $V_{BR}$ | $I_R=1.0\text{mA}$                  | 103  | 120          | -            | V                   |
| Instantaneous forward voltage per diode <sup>(1)</sup> | $V_F$    | $I_F=5\text{A}$<br>$I_F=10\text{A}$ | -    | 0.55<br>-    | 0.60<br>0.75 | V                   |
|  |          | $I_F=5\text{A}$<br>$I_F=10\text{A}$ | -    | 0.52<br>0.62 | -<br>0.7     | V                   |
| Reverse current per diode <sup>(2)</sup>               | $I_R$    | $V_R=70\text{V}$                    | -    | 12           | 40           | $\mu\text{A}$       |
|  |          | $V_R=100\text{V}$                   | -    | -            | 500<br>35    | $\mu\text{A}$<br>mA |

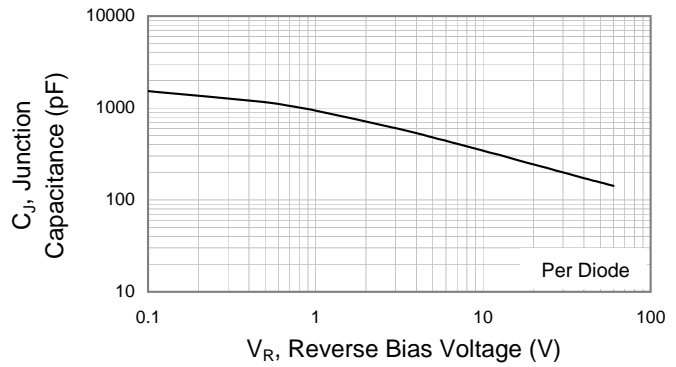
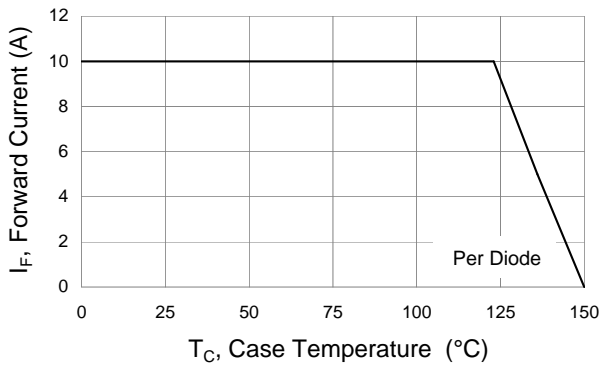
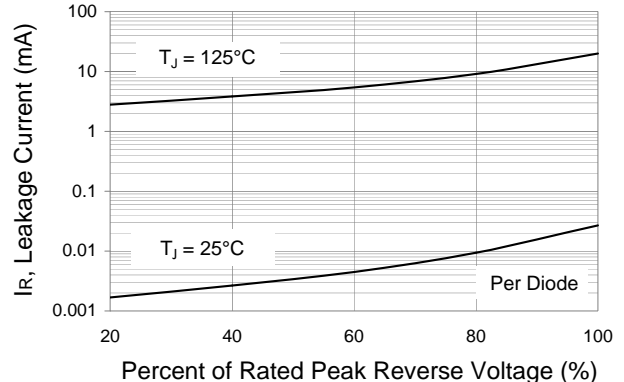
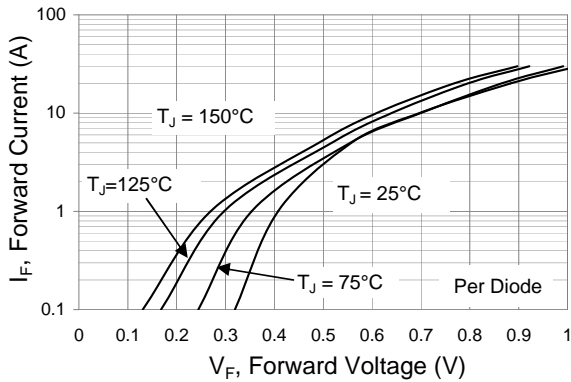
Note.1 Pulse test : 380 $\mu\text{s}$  pulse width, 1% duty cycle

2. Pulse test : Pulse width  $\leq 2.5\text{ms}$

**PAN JI T RESERVES THE RIGHT TO IMPROVE PRODUCT DESIGN,FUNCTIONS AND RELIABILITY WITHOUT NOTICE**



# SB20100LFCT



单击下面可查看定价，库存，交付和生命周期等信息

[>>Panjit\(强茂\)](#)