

GLZ2.0 SERIES

SURFACE MOUNT ZENER DIODES

VOLTAGE 2.0 to 56 Volt

POWER 500 mWatt

MINI-MELF / LL34

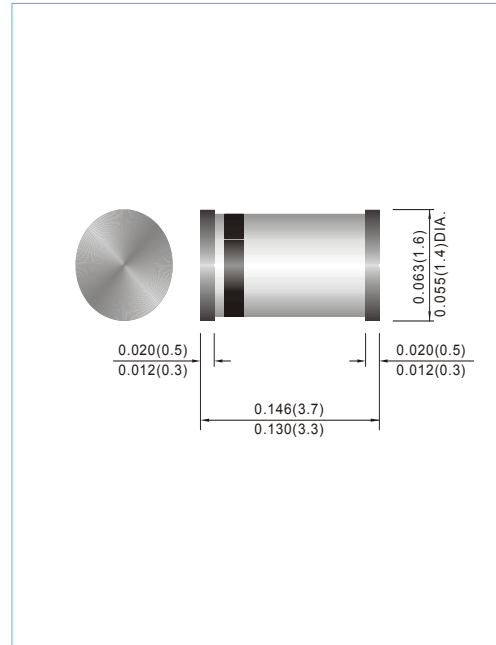
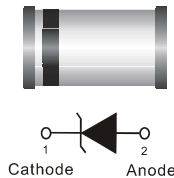
Unit : inch(mm)

FEATURES

- Planar Die construction
- 500mW Power Dissipation
- Ideally Suited for Automated Assembly Processes
- Lead free in compliance with EU RoHS 2.0

MECHANICAL DATA

- Case: Molded Glass MINI-MELF
- Terminals: Solderable per MIL-STD-750, Method 2026
- Approx. Weight: 0.001 ounces, 0.03 grams.
- Polarity : Color band denotes cathode end
- Packing information
T/R - 2.5K per 7" plastic Reel
T/R - 10K per 13" plastic Reel



MAXIMUM RATINGS AND ELECTRICAL CHARACTERISTICS

| Parameter | Symbol | Value | Units |
|---|-----------|--------------|------------------|
| Power Dissipation at $T_A = 25^\circ\text{C}$ | P_{TOT} | 500 | mW |
| Junction Temperature Range | T_J | -55 to + 175 | $^\circ\text{C}$ |
| Storage Temperature Range | T_{STG} | -65 to + 175 | $^\circ\text{C}$ |

Valid provided that leads at a distance of 10mm from case are kept at ambient temperature.

| Parameter | Symbol | Min. | Typ. | Max. | Units |
|--|-----------------|------|------|------|----------------------------|
| Thermal Resistance Junction to Ambient Air | $R_{\theta JA}$ | -- | -- | 0.3 | $^\circ\text{C}/\text{mW}$ |
| Forward Voltage at $I_F = 100\text{mA}$ | V_F | -- | -- | 1 | V |

Valid provided that leads at a distance of 10mm from case are kept at ambient temperature.

GLZ2.0 SERIES

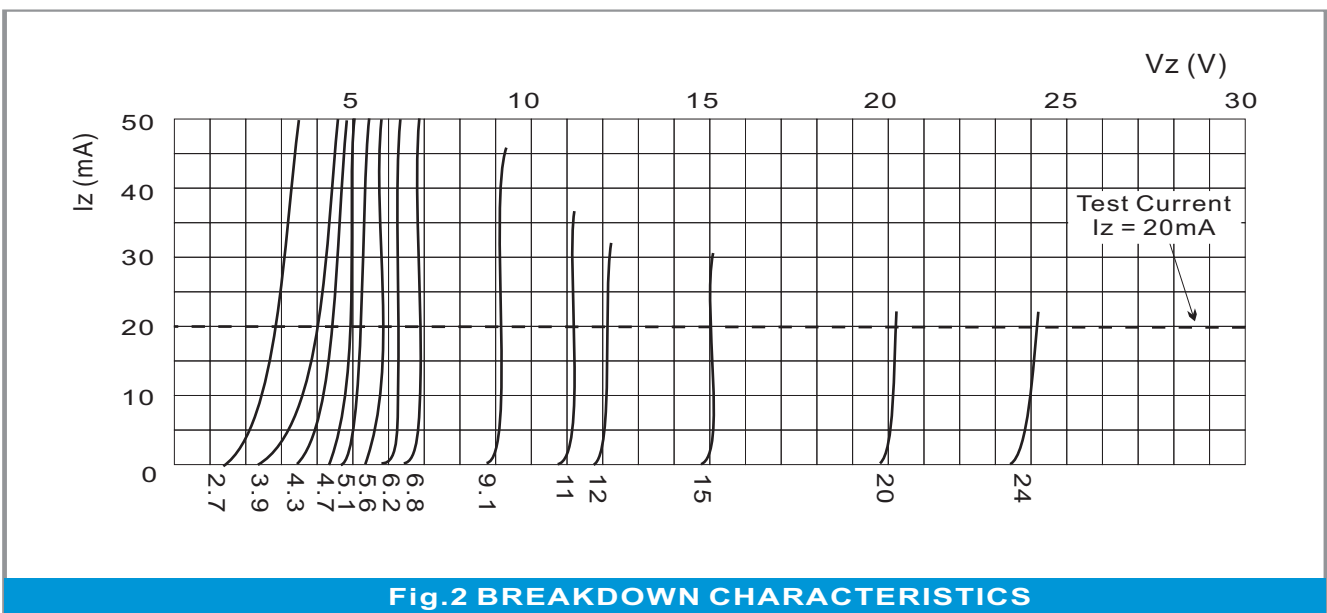
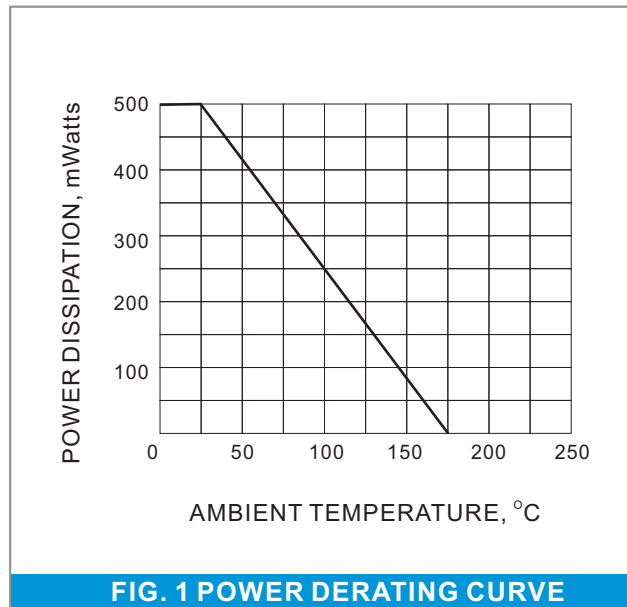
| Part Number | Nominal Zener Voltage | | Max. Zener Impedance | | | | Max Reverse Leakage Current | | Marking Code |
|---------------------|----------------------------------|--------|-----------------------------------|----|-----------------------------------|-----|---------------------------------|-----|--------------|
| | V _Z @ I _{ZT} | | Z _{ZT} @ I _{ZT} | | Z _{ZK} @ I _{ZK} | | I _R @ V _R | | |
| | Min. V | Max. V | Ω | mA | Ω | mA | μA | V | |
| 500 mW Zener Diodes | | | | | | | | | |
| GLZ 2.0A | 1.88 | 2.1 | 140 | 20 | 2000 | 1 | 120 | 0.5 | 2A0 |
| GLZ 2.0B | 2.02 | 2.2 | 140 | 20 | 2000 | 1 | 120 | 0.5 | 2B0 |
| GLZ 2.2A | 2.12 | 2.3 | 120 | 20 | 2000 | 1 | 120 | 0.7 | 2A2 |
| GLZ 2.2B | 2.22 | 2.41 | 120 | 20 | 2000 | 1 | 120 | 0.7 | 2B2 |
| GLZ 2.4A | 2.33 | 2.52 | 100 | 20 | 2000 | 1 | 120 | 1 | 2A4 |
| GLZ 2.4B | 2.43 | 2.63 | 100 | 20 | 2000 | 1 | 120 | 1 | 2B4 |
| GLZ 2.7A | 2.54 | 2.75 | 100 | 20 | 1000 | 1 | 120 | 1 | 2A7 |
| GLZ 2.7B | 2.69 | 2.91 | 100 | 20 | 1000 | 1 | 120 | 1 | 2B7 |
| GLZ 3.0A | 2.85 | 3.07 | 80 | 20 | 1000 | 1 | 50 | 1 | 3A0 |
| GLZ 3.0B | 3.01 | 3.22 | 80 | 20 | 1000 | 1 | 50 | 1 | 3B0 |
| GLZ 3.3A | 3.16 | 3.38 | 70 | 20 | 1000 | 1 | 20 | 1 | 3A3 |
| GLZ 3.3B | 3.32 | 3.53 | 70 | 20 | 1000 | 1 | 20 | 1 | 3B3 |
| GLZ 3.6A | 3.46 | 3.69 | 60 | 20 | 1000 | 1 | 10 | 1 | 3A6 |
| GLZ 3.6B | 3.6 | 3.84 | 60 | 20 | 1000 | 1 | 10 | 1 | 3B6 |
| GLZ 3.9A | 3.74 | 4.01 | 50 | 20 | 1000 | 1 | 5 | 1 | 3A9 |
| GLZ 3.9B | 3.89 | 4.16 | 50 | 20 | 1000 | 1 | 5 | 1 | 3B9 |
| GLZ 4.3A | 4.04 | 4.29 | 40 | 20 | 1000 | 1 | 5 | 1 | 4A3 |
| GLZ 4.3B | 4.17 | 4.43 | 40 | 20 | 1000 | 1 | 5 | 1 | 4B3 |
| GLZ 4.3C | 4.3 | 4.57 | 40 | 20 | 1000 | 1 | 5 | 1 | 4C3 |
| GLZ 4.7A | 4.44 | 4.68 | 25 | 20 | 900 | 1 | 5 | 1 | 4A7 |
| GLZ 4.7B | 4.55 | 4.80 | 25 | 20 | 900 | 1 | 5 | 1 | 4B7 |
| GLZ 4.7C | 4.68 | 4.93 | 25 | 20 | 900 | 1 | 5 | 1 | 4C7 |
| GLZ 5.1A | 4.81 | 5.07 | 20 | 20 | 800 | 1 | 5 | 1.5 | 5A1 |
| GLZ 5.1B | 4.94 | 5.2 | 20 | 20 | 800 | 1 | 5 | 1.5 | 5B1 |
| GLZ 5.1C | 5.09 | 5.37 | 20 | 20 | 800 | 1 | 5 | 1.5 | 5C1 |
| GLZ 5.6A | 5.28 | 5.55 | 13 | 20 | 500 | 1 | 5 | 2.5 | 5A6 |
| GLZ 5.6B | 5.45 | 5.73 | 13 | 20 | 500 | 1 | 5 | 2.5 | 5B6 |
| GLZ 5.6C | 5.61 | 5.91 | 13 | 20 | 500 | 1 | 5 | 2.5 | 5C6 |
| GLZ 6.2A | 5.78 | 6.09 | 10 | 20 | 300 | 1 | 5 | 3 | 6A2 |
| GLZ 6.2B | 5.96 | 6.27 | 10 | 20 | 300 | 1 | 5 | 3 | 6B2 |
| GLZ 6.2C | 6.12 | 6.44 | 10 | 20 | 300 | 1 | 5 | 3 | 6C2 |
| GLZ 6.8A | 6.29 | 6.63 | 8 | 20 | 150 | 0.5 | 2 | 3.5 | 6A8 |
| GLZ 6.8B | 6.49 | 6.83 | 8 | 20 | 150 | 0.5 | 2 | 3.5 | 6B8 |
| GLZ 6.8C | 6.66 | 7.01 | 8 | 20 | 150 | 0.5 | 2 | 3.5 | 6C8 |
| GLZ 7.5A | 6.85 | 7.22 | 8 | 20 | 120 | 0.5 | 0.5 | 4 | 7A5 |
| GLZ 7.5B | 7.07 | 7.45 | 8 | 20 | 120 | 0.5 | 0.5 | 4 | 7B5 |
| GLZ 7.5C | 7.29 | 7.67 | 8 | 20 | 120 | 0.5 | 0.5 | 4 | 7C5 |
| GLZ 8.2A | 7.53 | 7.92 | 8 | 20 | 120 | 0.5 | 0.5 | 5 | 8A2 |
| GLZ 8.2B | 7.78 | 8.19 | 8 | 20 | 120 | 0.5 | 0.5 | 5 | 8B2 |
| GLZ 8.2C | 8.03 | 8.45 | 8 | 20 | 120 | 0.5 | 0.5 | 5 | 8C2 |
| GLZ 9.1A | 8.29 | 8.73 | 8 | 20 | 120 | 0.5 | 0.5 | 6 | 9A1 |
| GLZ 9.1B | 8.57 | 9.01 | 8 | 20 | 120 | 0.5 | 0.5 | 6 | 9B1 |
| GLZ 9.1C | 8.83 | 9.3 | 8 | 20 | 120 | 0.5 | 0.5 | 6 | 9C1 |
| GLZ 10A | 9.12 | 9.59 | 8 | 20 | 120 | 0.5 | 0.2 | 7 | 10A |
| GLZ 10B | 9.41 | 9.9 | 8 | 20 | 120 | 0.5 | 0.2 | 7 | 10B |
| GLZ 10C | 9.7 | 10.2 | 8 | 20 | 120 | 0.5 | 0.2 | 7 | 10C |
| GLZ 10D | 9.94 | 10.44 | 8 | 20 | 120 | 0.5 | 0.2 | 7 | 10D |
| GLZ 11A | 10.18 | 10.71 | 10 | 10 | 120 | 0.5 | 0.2 | 8 | 11A |
| GLZ 11B | 10.5 | 11.05 | 10 | 10 | 120 | 0.5 | 0.2 | 8 | 11B |
| GLZ 11C | 10.82 | 11.38 | 10 | 10 | 120 | 0.5 | 0.2 | 8 | 11C |

GLZ2.0 SERIES

| Part Number | Nominal Zener Voltage | | Max. Zener Impedance | | | | Max Reverse Leakage Current | | Marking Code |
|---------------------|----------------------------------|--------|-----------------------------------|----|-----------------------------------|-----|---------------------------------|----|--------------|
| | V _Z @ I _{ZT} | | Z _{ZT} @ I _{ZT} | | Z _{ZK} @ I _{ZK} | | I _R @ V _R | | |
| | Min. V | Max. V | Ω | mA | Ω | mA | μA | V | |
| 500 mW Zener Diodes | | | | | | | | | |
| GLZ 12A | 11.13 | 11.71 | 12 | 10 | 110 | 0.5 | 0.2 | 9 | 12A |
| GLZ 12B | 11.44 | 12.03 | 12 | 10 | 110 | 0.5 | 0.2 | 9 | 12B |
| GLZ 12C | 11.74 | 12.35 | 12 | 10 | 110 | 0.5 | 0.2 | 9 | 12C |
| GLZ 13A | 12.11 | 12.75 | 14 | 10 | 110 | 0.5 | 0.2 | 10 | 13A |
| GLZ 13B | 12.55 | 13.21 | 14 | 10 | 110 | 0.5 | 0.2 | 10 | 13B |
| GLZ 13C | 12.99 | 13.66 | 14 | 10 | 110 | 0.5 | 0.2 | 10 | 13C |
| GLZ 15A | 13.44 | 14.13 | 16 | 10 | 110 | 0.5 | 0.2 | 11 | 15A |
| GLZ 15B | 13.89 | 14.62 | 16 | 10 | 110 | 0.5 | 0.2 | 11 | 15B |
| GLZ 15C | 14.35 | 15.09 | 16 | 10 | 110 | 0.5 | 0.2 | 11 | 15C |
| GLZ 16A | 14.8 | 15.57 | 18 | 10 | 150 | 0.5 | 0.2 | 12 | 16A |
| GLZ 16B | 15.25 | 16.04 | 18 | 10 | 150 | 0.5 | 0.2 | 12 | 16B |
| GLZ 16C | 15.69 | 16.51 | 18 | 10 | 150 | 0.5 | 0.2 | 12 | 16C |
| GLZ 18A | 16.22 | 17.06 | 23 | 10 | 150 | 0.5 | 0.2 | 13 | 18A |
| GLZ 18B | 16.82 | 17.7 | 23 | 10 | 150 | 0.5 | 0.2 | 13 | 18B |
| GLZ 18C | 17.42 | 18.33 | 23 | 10 | 150 | 0.5 | 0.2 | 13 | 18C |
| GLZ 20A | 18.02 | 18.96 | 28 | 10 | 200 | 0.5 | 0.2 | 15 | 20A |
| GLZ 20B | 18.63 | 19.59 | 28 | 10 | 200 | 0.5 | 0.2 | 15 | 20B |
| GLZ 20C | 19.23 | 20.22 | 28 | 10 | 200 | 0.5 | 0.2 | 15 | 20C |
| GLZ 20D | 19.72 | 20.72 | 28 | 10 | 200 | 0.5 | 0.2 | 15 | 20D |
| GLZ 22A | 20.15 | 21.2 | 30 | 5 | 200 | 0.5 | 0.2 | 17 | 22A |
| GLZ 22B | 20.64 | 21.71 | 30 | 5 | 200 | 0.5 | 0.2 | 17 | 22B |
| GLZ 22C | 21.08 | 22.17 | 30 | 5 | 200 | 0.5 | 0.2 | 17 | 22C |
| GLZ 22D | 21.52 | 22.63 | 30 | 5 | 200 | 0.5 | 0.2 | 17 | 22D |
| GLZ 24A | 22.05 | 23.18 | 35 | 5 | 200 | 0.5 | 0.2 | 19 | 24A |
| GLZ 24B | 22.61 | 23.77 | 35 | 5 | 200 | 0.5 | 0.2 | 19 | 24B |
| GLZ 24C | 23.12 | 24.31 | 35 | 5 | 200 | 0.5 | 0.2 | 19 | 24C |
| GLZ 24D | 23.63 | 24.85 | 35 | 5 | 200 | 0.5 | 0.2 | 19 | 24D |
| GLZ 27A | 24.26 | 25.52 | 45 | 5 | 250 | 0.5 | 0.2 | 21 | 27A |
| GLZ 27B | 24.97 | 26.26 | 45 | 5 | 250 | 0.5 | 0.2 | 21 | 27B |
| GLZ 27C | 25.63 | 26.95 | 45 | 5 | 250 | 0.5 | 0.2 | 21 | 27C |
| GLZ 27D | 26.29 | 27.64 | 45 | 5 | 250 | 0.5 | 0.2 | 21 | 27D |
| GLZ 30A | 26.99 | 28.39 | 55 | 5 | 250 | 0.5 | 0.2 | 23 | 30A |
| GLZ 30B | 27.7 | 29.13 | 55 | 5 | 250 | 0.5 | 0.2 | 23 | 30B |
| GLZ 30C | 28.36 | 29.82 | 55 | 5 | 250 | 0.5 | 0.2 | 23 | 30C |
| GLZ 30D | 29.02 | 30.51 | 55 | 5 | 250 | 0.5 | 0.2 | 23 | 30D |
| GLZ 33A | 29.68 | 31.22 | 65 | 5 | 250 | 0.5 | 0.2 | 25 | 33A |
| GLZ 33B | 30.32 | 31.88 | 65 | 5 | 250 | 0.5 | 0.2 | 25 | 33B |
| GLZ 33C | 30.9 | 32.5 | 65 | 5 | 250 | 0.5 | 0.2 | 25 | 33C |
| GLZ 33D | 31.49 | 33.11 | 65 | 5 | 250 | 0.5 | 0.2 | 25 | 33D |
| GLZ 36A | 32.14 | 33.79 | 75 | 5 | 250 | 0.5 | 0.2 | 27 | 36A |
| GLZ 36B | 32.79 | 34.49 | 75 | 5 | 250 | 0.5 | 0.2 | 27 | 36B |
| GLZ 36C | 33.4 | 35.13 | 75 | 5 | 250 | 0.5 | 0.2 | 27 | 36C |
| GLZ 36D | 34.01 | 35.77 | 75 | 5 | 250 | 0.5 | 0.2 | 27 | 36D |
| GLZ 39A | 34.68 | 36.47 | 85 | 5 | 250 | 0.5 | 0.2 | 30 | 39A |
| GLZ 39B | 35.36 | 37.19 | 85 | 5 | 250 | 0.5 | 0.2 | 30 | 39B |
| GLZ 39C | 36 | 37.85 | 85 | 5 | 250 | 0.5 | 0.2 | 30 | 39C |
| GLZ 39D | 36.63 | 38.52 | 85 | 5 | 250 | 0.5 | 0.2 | 30 | 39D |
| GLZ 41 | 37 | 41 | 90 | 5 | - | - | 0.2 | 30 | 41 |
| GLZ 43 | 40 | 45 | 90 | 5 | - | - | 0.2 | 33 | 43 |
| GLZ 47 | 44 | 49 | 90 | 5 | - | - | 0.2 | 36 | 47 |
| GLZ 51 | 48 | 54 | 110 | 5 | - | - | 0.2 | 39 | 51 |
| GLZ 56 | 53 | 60 | 110 | 5 | - | - | 0.2 | 43 | 56 |

GLZ2.0 SERIES

RATING AND CHARACTERISTIC CURVES

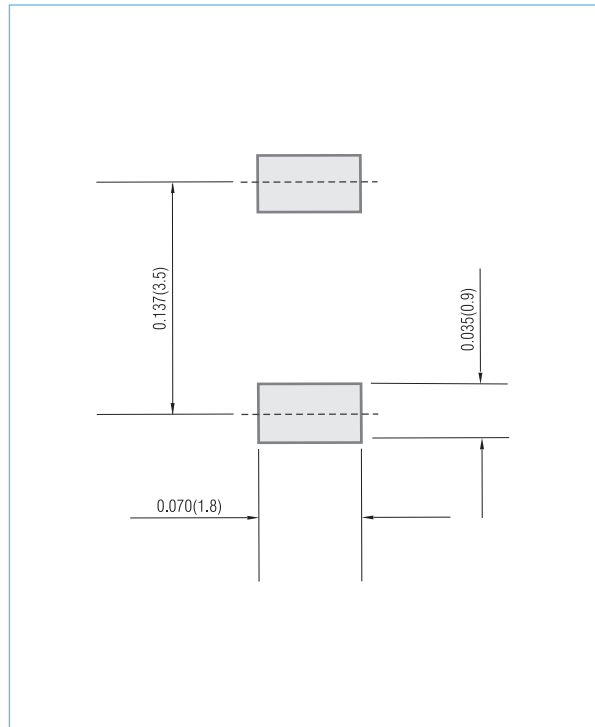


GLZ2.0 SERIES

MOUNTING PAD LAYOUT

MINI-MELF

Unit: inch (mm)



ORDER INFORMATION

- Packing information
 - T/R - 10K per 13" plastic Reel
 - T/R - 2.5K per 7" plastic Reel

GLZ2.0 SERIES

Part No_packing code_Version

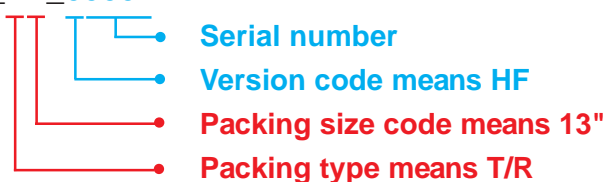
GLZ2.0A_R1_10001

GLZ2.0A_R2_10001

For example :

RB500V-40_R2_00001

Part No.



| Packing Code XX | | | | Version Code XXXXX | | |
|--------------------------------------|----------------------|----------------------------------|----------------------|---------------------------|----------------------|---------------------------------------|
| Packing type | 1 st Code | Packing size code | 2 nd Code | HF or RoHS | 1 st Code | 2 nd ~5 th Code |
| Tape and Ammunition Box (T/B) | A | N/A | 0 | HF | 0 | serial number |
| Tape and Reel (T/R) | R | 7" | 1 | RoHS | 1 | serial number |
| Bulk Packing (B/P) | B | 13" | 2 | | | |
| Tube Packing (T/P) | T | 26mm | X | | | |
| Tape and Reel (Right Oriented) (TRR) | S | 52mm | Y | | | |
| Tape and Reel (Left Oriented) (TRL) | L | PANASERT T/B CATHODE UP (PBCU) | U | | | |
| FORMING | F | PANASERT T/B CATHODE DOWN (PBCD) | D | | | |

GLZ2.0 SERIES

Disclaimer

- Reproducing and modifying information of the document is prohibited without permission from Panjit International Inc..
- Panjit International Inc. reserves the rights to make changes of the content herein the document anytime without notification. Please refer to our website for the latest document.
- Panjit International Inc. disclaims any and all liability arising out of the application or use of any product including damages incidentally and consequentially occurred.
- Panjit International Inc. does not assume any and all implied warranties, including warranties of fitness for particular purpose, non-infringement and merchantability.
- Applications shown on the herein document are examples of standard use and operation. Customers are responsible in comprehending the suitable use in particular applications. Panjit International Inc. makes no representation or warranty that such applications will be suitable for the specified use without further testing or modification.
- The products shown herein are not designed and authorized for equipments requiring high level of reliability or relating to human life and for any applications concerning life-saving or life-sustaining, such as medical instruments, transportation equipment, aerospace machinery et cetera. Customers using or selling these products for use in such applications do so at their own risk and agree to fully indemnify Panjit International Inc. for any damages resulting from such improper use or sale.
- Since Panjit uses lot number as the tracking base, please provide the lot number for tracking when complaining.

单击下面可查看定价，库存，交付和生命周期等信息

[>>Panjit\(强茂\)](#)