



4.6KSMX27A-AU

4.6kW SURFACE MOUNT TRANSIENT VOLTAGE SUPPRESSOR

Stand-Off Voltage

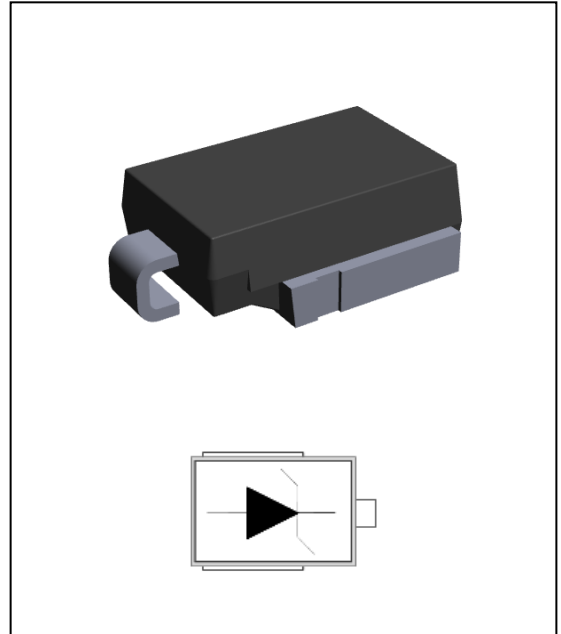
22V

Features

- Rated for load dump protection (ISO 16750-2) in automotive applications
- Reliable operation at maximum $T_J=175^{\circ}\text{C}$
- Low leakage current
- Unidirectional operation
- Acquire quality system certificate : TS16949
- AEC-Q101 qualified
- Meets ISO 7637-2 Requirements
- Meets MSL Level 1 per J-STD-020
- Lead free in compliance with EU RoHS2.0 (2011/65/EU & 2015/865/EU directive)
- Green molding compound as per IEC61249 Std. . (Halogen Free)

Mechanical Data

- Case: DO-218AC
- Terminals: Solder plated, solderable per MIL-STD-750, Method 2026
- Polarity: Headsink is the anode



MAXIMUM RATINGS AND ELECTRICAL CHARACTERISTICS

RATING	SYMBOL	LIMIT	UNIT
10/1,000 μs Peak Pulse Power Dissipation on $T_A = 25^{\circ}\text{C}$ (Notes 1)	P_{PPM1}	4600	W
10/10,000 μs Peak Pulse Power Dissipation on $T_A = 25^{\circ}\text{C}$	P_{PPM2}	3600	W
Peak Surge Current (60Hz half wave)	I_{FSM}	600	A
Typical Thermal Resistance Junction to Case	$R_{\theta JC}$	0.95	$^{\circ}\text{C/W}$
Power Dissipation on infinite heatsink $T_A = 25^{\circ}\text{C}$	P_D	6	W
IEC61000-4-2 Contact	V_{ESD}	8	kV
IEC61000-4-2 Air	V_{ESD}	15	kV
Operating and Storage Temperature Range	T_J, T_{STG}	-55 to 175	$^{\circ}\text{C}$

Notes : 1. Non-repetitive pulse. Derate over $T_A = 25^{\circ}\text{C}$.



4.6KSMX27A-AU

Electrical Characteristics ($T_A=25^{\circ}\text{C}$ unless otherwise noted)

PARAMETER	SYMBOL	TEST CONDITION	MIN.	TYP.	MAX.	UNITS
Reverse Stand-off Voltage	V_{RWM}	-	22	-	-	V
Breakdown Voltage	V_{BR}	$I_T=10\text{mA}$	24	-	30	V
Max. Clamp Voltage ⁽²⁾	V_C	$I_{PP}=65\text{A}$	-	-	40	V
Reverse Leakage Current	I_R	$V_R=22\text{V}, T_J=25^{\circ}\text{C}$	-	-	0.5	μA
		$V_R=22\text{V}, T_J=175^{\circ}\text{C}$	-	-	20	μA

Notes : 2. 10/1,0000 μs surge pulse waveform.



4.6KSMX27A-AU

Typical Characteristic Curves

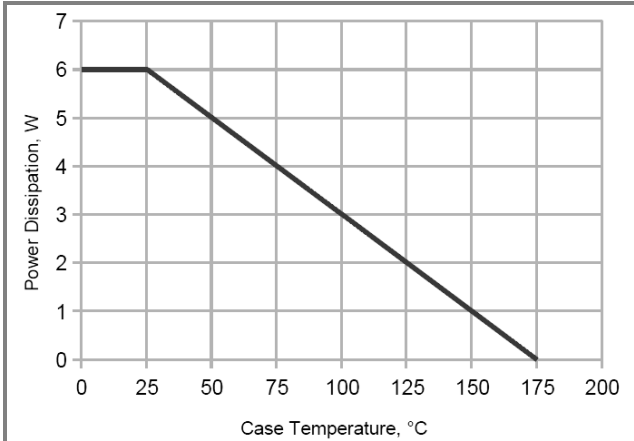


Fig.1 DC Power Derating Curve

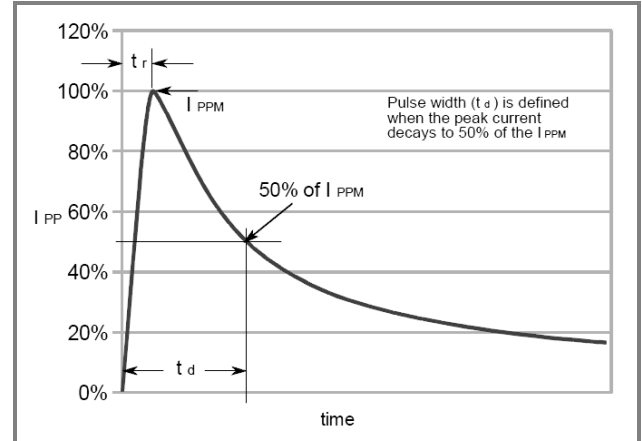


Fig.2 Pulse Waveform Definition
($t_r / t_d = 10/1,000\mu s$ or $10/10,000\mu s$)

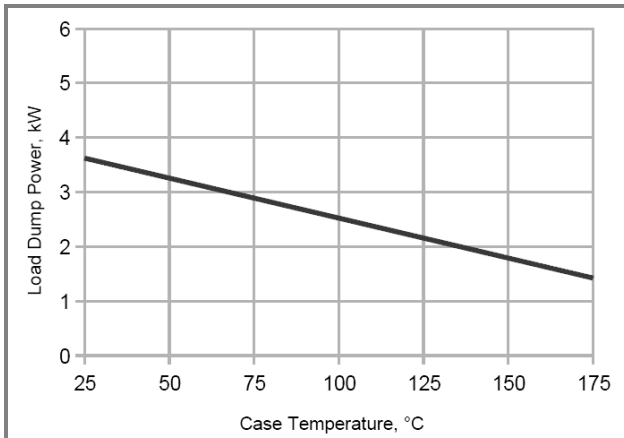


Fig.3 Load Dump Power vs Case Temperature
(10ms Exponential Waveform)

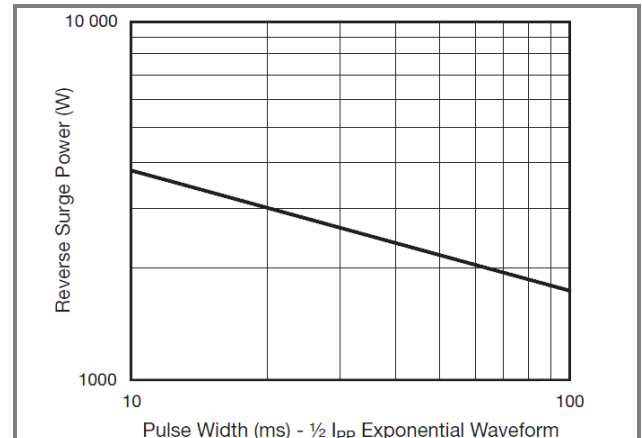


Fig.4 Reverse Power Capability
(Exponential Waveform)

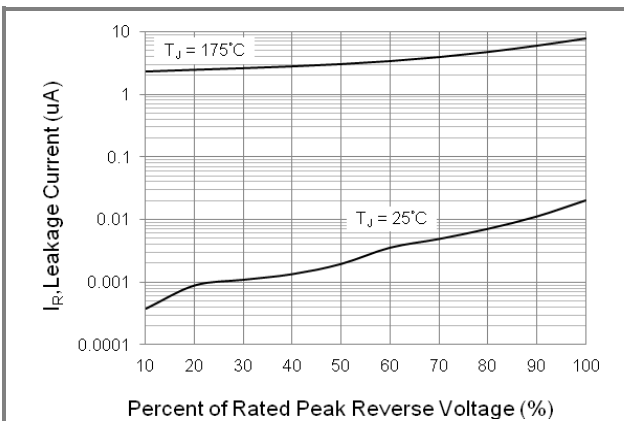


Fig.5 Typical Reverse Characteristics



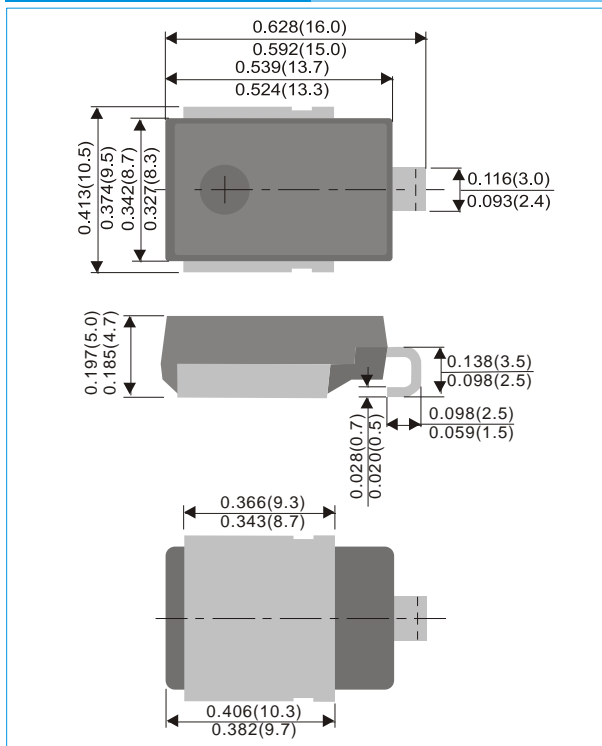
4.6KSMX27A-AU

Part No Packing Code Version

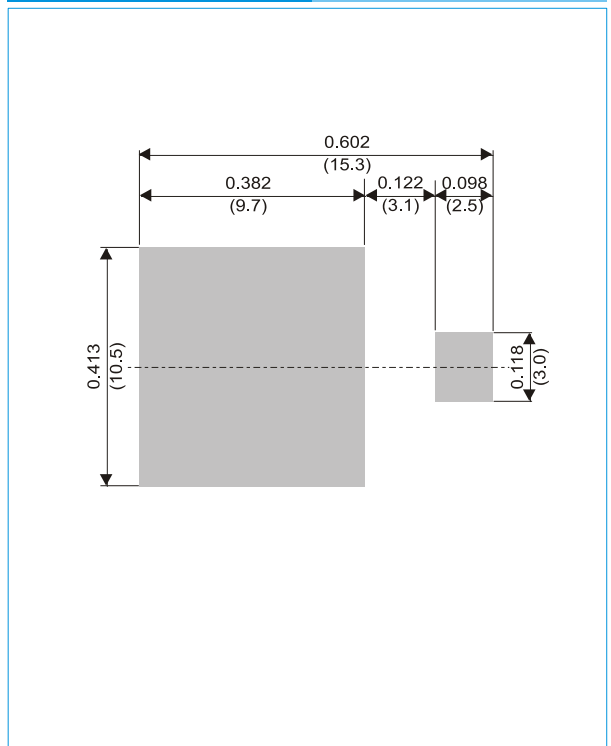
Part No Packing Code	Package Type	Packing Type	Marking	Version
4.6KSMX27A-AU_R2_000A1	DO-218AC	600 pcs / 13" reel	4EEP	Halogen free

Packaging Information & Mounting Pad Layout

DO-218AC Unit: inch(mm)



DO-218AC Unit: inch(mm)





4.6KSMX27A-AU

Disclaimer

- Reproducing and modifying information of the document is prohibited without permission from Panjit International Inc..
- Panjit International Inc. reserves the rights to make changes of the content herein the document anytime without notification. Please refer to our website for the latest document.
- Panjit International Inc. disclaims any and all liability arising out of the application or use of any product including damages incidentally and consequentially occurred.
- Panjit International Inc. does not assume any and all implied warranties, including warranties of fitness for particular purpose, non-infringement and merchantability.
- Applications shown on the herein document are examples of standard use and operation. Customers are responsible in comprehending the suitable use in particular applications. Panjit International Inc. makes no representation or warranty that such applications will be suitable for the specified use without further testing or modification.
- The products shown herein are not designed and authorized for equipments relating to human life and for any applications concerning life-saving or life-sustaining, such as medical instruments, aerospace machinery et cetera. Customers using or selling these products for use in such applications do so at their own risk and agree to fully indemnify Panjit International Inc. for any damages resulting from such improper use or sale.
- Since Panjit uses lot number as the tracking base, please provide the lot number for tracking when complaining.

单击下面可查看定价，库存，交付和生命周期等信息

[>>Panjit\(强茂\)](#)