



PJSD05TS-02-AU

SINGLE LINE TVS DIODE FOR ESD PROTECTION PORTABLE ELECTRONICS

VOLTAGE 5 Volt **POWER** 200 Watt

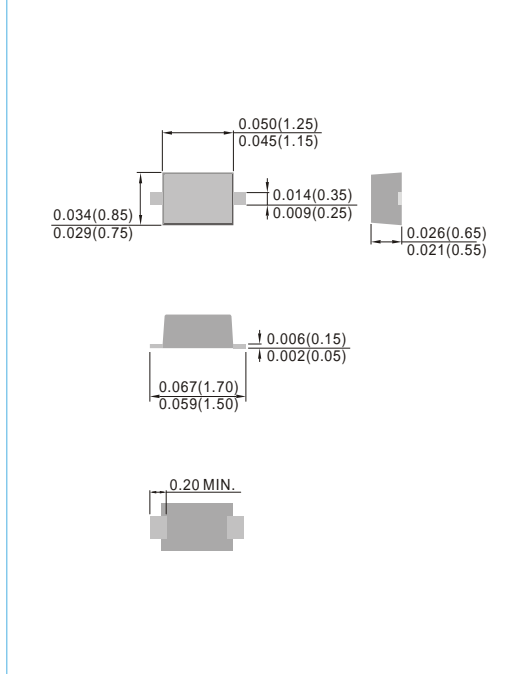
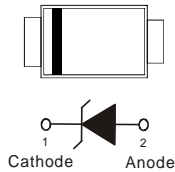
SOD-523 Unit : inch(mm)

FEATURES

- 200 Watts peak pulses power($t_p=8/20\mu s$)
- Small package for use in portable electronics
- IEC61000-4-2 8KV contact 15KV Air compliant
- Low clamping voltage and leakage current
- Lead free in compliance with EU RoHS 2011/65/EU directive
- Green molding compound as per IEC61249 Std. . (Halogen Free)
- Acquire quality system certificate : TS16949
- AEC-Q101 qualified
- Case: SOD-523 plastic
- Terminals : Solderable per MIL-STD-750, Method 2026
- Polarity : Color band cathode
- Marking : KS

APPLICATIONS

- Video I/O ports protection
- Set Top Boxes
- Portable Instrumentation



MAXIMUM RATINGS AND ELECTRICAL CHARACTERISTICS

ABSOLUTE MAXIMUM RATING

Rating	Symbol	Value	Units
Peak Pulse Power ($t_p=8/20 \mu s$)	P_{PP}	200	W
Maximum Peak Pulse Current	I_{PPM}	18	A
ESD Voltage per HBM MIL-STD-883	V_{ESD}	25	KV
Operating Junction and Storage Temperature Range	T_J, T_{STG}	-50 to +150	°C

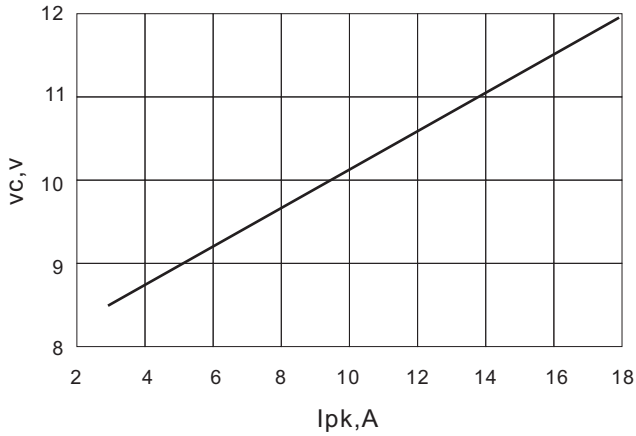
ELECTRICAL CHARACTERISTICS

Parameter	Symbol	Conditions	Min.	Typical	Max.	Units
Reverse Stand-Off Voltage	V_{RWM}	-	-	-	5	V
Reverse Breakdown Voltage	V_{BR}	$I_{BR}=1mA$	6.0	-	-	V
Reverse Leakage Current	I_R	$V_R=5V$	-	-	1	μA
Clamping Voltage(8/20 μs)	V_C	$I_{PP}=5A$	-	-	11	V
Clamping Voltage(8/20 μs)	V_C	$I_{PP}=15A$	-	-	14	V
Off State Junction Capacitance	C_J	0Vdc Bias=f=1MHz	-	-	160	pF
Off State Junction Capacitance	C_J	5Vdc Bias=f=1MHz	-	-	80	pF

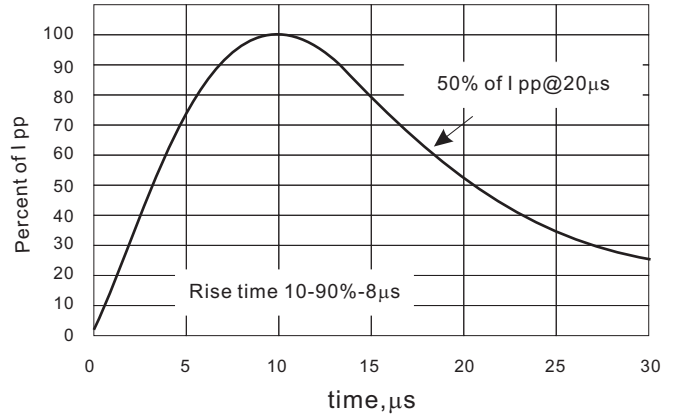
PAN JIT RESERVES THE RIGHT TO IMPROVE PRODUCT DESIGN, FUNCTIONS AND RELIABILITY WITHOUT NOTICE



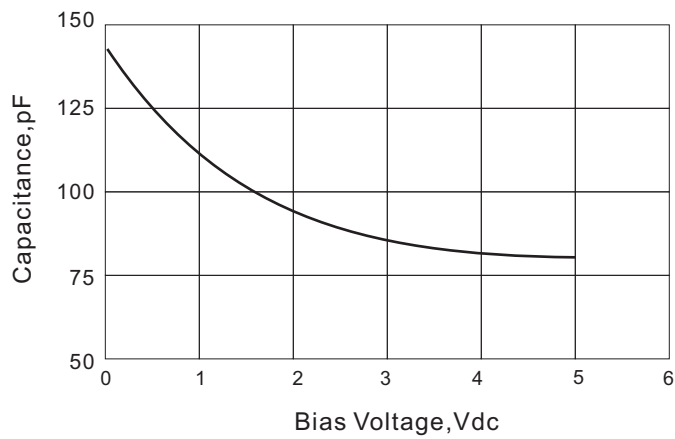
PJSD05TS-02-AU



Clamping Voltage vs I_{pp} 8/20µs Surge



Pulse Waveform

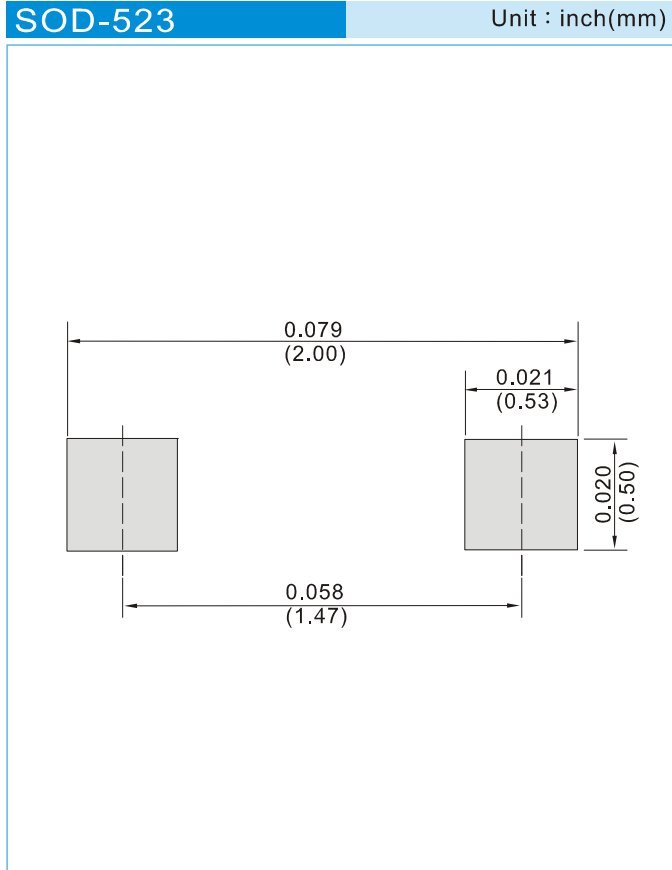


Capacitance vs. Biasing Voltage@1MHz



PJSD05TS-02-AU

MOUNTING PAD LAYOUT



ORDER INFORMATION

- Packing information
T/R - 12K per 13" plastic Reel
T/R - 5K per 7" plastic Reel



PJSD05TS-02-AU

Part No_packing code_Version

PJSD05TS-02-AU_R1_000A1

PJSD05TS-02-AU_R2_000A1

For example :

RB500V-40_R2_00001



Packing Code XX				Version Code XXXXX		
Packing type	1 st Code	Packing size code	2 nd Code	HF or RoHS	1 st Code	2 nd ~5 th Code
Tape and Ammunition Box (T/B)	A	N/A	0	HF	0	serial number
Tape and Reel (T/R)	R	7"	1	RoHS	1	serial number
Bulk Packing (B/P)	B	13"	2			
Tube Packing (T/P)	T	26mm	X			
Tape and Reel (Right Oriented) (TRR)	S	52mm	Y			
Tape and Reel (Left Oriented) (TRL)	L	PANASERT T/B CATHODE UP (PBCU)	U			
FORMING	F	PANASERT T/B CATHODE DOWN (PBCD)	D			



PJSD05TS-02-AU

Disclaimer

- Reproducing and modifying information of the document is prohibited without permission from Panjit International Inc..
- Panjit International Inc. reserves the rights to make changes of the content herein the document anytime without notification. Please refer to our website for the latest document.
- Panjit International Inc. disclaims any and all liability arising out of the application or use of any product including damages incidentally and consequentially occurred.
- Panjit International Inc. does not assume any and all implied warranties, including warranties of fitness for particular purpose, non-infringement and merchantability.
- Applications shown on the herein document are examples of standard use and operation. Customers are responsible in comprehending the suitable use in particular applications. Panjit International Inc. makes no representation or warranty that such applications will be suitable for the specified use without further testing or modification.
- The products shown herein are not designed and authorized for equipments relating to human life and for any applications concerning life-saving or life-sustaining, such as medical instruments, aerospace machinery et cetera. Customers using or selling these products for use in such applications do so at their own risk and agree to fully indemnify Panjit International Inc. for any damages resulting from such improper use or sale.
- Since Panjit uses lot number as the tracking base, please provide the lot number for tracking when complaining.

单击下面可查看定价，库存，交付和生命周期等信息

[>>Panjit\(强茂\)](#)