



P6AF3.3A-AU~P6AF64A-AU

SURFACE MOUNT TRANSIENT VOLTAGE SUPPRESSOR

Voltage 3.3~64 V **Power** 600 W

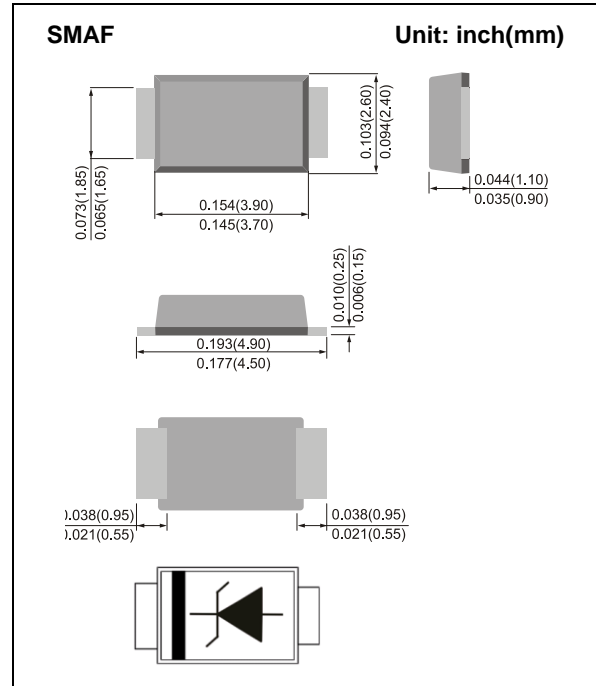
Features

- For surface mounted applications in order to optimize board space.
- Ultra thin profile package for space constrained utilization.
- Package suitable for automated handling
- Low inductance
- High temperature soldering : 260°C/10 seconds at terminals
- AEC-Q101 qualified
- Lead free in compliance with EU RoHS 2.0
- Green molding compound as per IEC 61249 standard

Mechanical Data

- Case: SMAF, Plastic
- Terminals: Solderable per MIL-STD-750, Method 2026
- Polarity: Color band denotes cathode end
- Approx. Weight: 0.0011 ounces, 0.0328 grams

Maximum Ratings



PARAMETER	SYMBOL	VALUE	UNITS
Peak Pulse Power Dissipation($t_p=10/1000\mu s$) ^(NOTE1,2)	P_{PP}	600	W
Peak Forward Surge Current (8.3ms single half sine-wave)	I_{FSM}	100	A
Peak Pulse Current on $t_p=10/1000\mu s$ Waveform ^(NOTE1, Fig.2)	I_{PPM}	See table 1	A
ESD IEC61000-4-2(Air)	V_{ESD}	±30	kV
ESD IEC61000-4-2(Contact)		±30	
Typical Thermal Resistance Junction to Ambient ^(NOTE 3)	$R_{\theta JA}$	150	°C/W
Operating Junction Temperature Range	T_J	-55 to +150	°C
Storage Temperature Range	T_{STG}	-55 to +150	°C

Notes :

1. Non-repetitive current pulse, per Fig.3 and derated above $T_A=25^\circ C$ per Fig.2
2. Mounted on 5mm² copper pads to each terminal.
3. Mounted on a FR4 PCB, single-sided copper, mini pad.
4. A transient suppressor is selected according to the working peak reverse voltage(V_{RWM}), which should be equal to or greater than the DC or continuous peak operation voltage level.
5. TVS is a transient protection device, it is strongly recommended not to use as a Zener.



P6AF3.3A-AU~P6AF64A-AU

Electrical Characteristics

Part Number	V_{RWM} (NOTE 4)	V_{BR}			$I_R@V_{RWM}$	$V_C@I_{PP}$		Marking Code
		Min.	Max.	I_T		Max.		
	V	V	V	mA	μA	V	A	
P6AF3.3A-AU	3.3	5.2	6	10	100	8	75	FKCS
P6AF5.0A-AU	5	6.4	7	10	50	9.2	65.2	FKES
P6AF6.0A-AU	6	6.67	7.37	10	50	10.3	58.3	FKGS
P6AF6.5A-AU	6.5	7.22	7.98	10	40	11.2	53.6	FKKS
P6AF7.0A-AU	7	7.78	8.6	10	40	12	50	FKMS
P6AF7.5A-AU	7.5	8.33	9.21	1	30	12.9	46.5	FKPS
P6AF8.0A-AU	8	8.89	9.83	1	5	13.6	44.1	FKRS
P6AF8.5A-AU	8.5	9.44	10.4	1	5	14.4	41.7	FKTS
P6AF9.0A-AU	9	10	11.1	1	0.5	15.4	39	FKVS
P6AF10A-AU	10	11.1	12.3	1	0.5	17	35.3	FKXS
P6AF11A-AU	11	12.2	13.5	1	0.5	18.2	33	FKZS
P6AF12A-AU	12	13.3	14.7	1	0.5	19.9	30.2	FLFS
P6AF13A-AU	13	14.4	15.9	1	0.1	21.5	27.9	FLGS
P6AF14A-AU	14	15.6	17.2	1	0.1	23.2	25.9	FLKS
P6AF15A-AU	15	16.7	18.5	1	0.1	24.4	24.6	FLMS
P6AF16A-AU	16	17.8	19.7	1	0.1	26	23.1	FLPS
P6AF17A-AU	17	18.9	20.9	1	0.1	27.6	21.7	FLRS
P6AF18A-AU	18	20	22.1	1	0.1	29.2	20.5	FLTS
P6AF20A-AU	20	22.2	24.5	1	0.1	32.4	18.5	FLVS
P6AF22A-AU	22	24.4	26.9	1	0.1	35.5	16.9	FLXS
P6AF24A-AU	24	26.7	29.5	1	0.1	38.9	15.4	FLZS
P6AF26A-AU	26	28.9	31.9	1	0.1	42.1	14.3	FMES
P6AF28A-AU	28	31.1	34.4	1	0.1	45.4	13.2	FMGS
P6AF30A-AU	30	33.3	36.8	1	0.1	48.4	12.4	FMKS
P6AF33A-AU	33	36.7	40.6	1	0.1	53.3	11.3	FMMS
P6AF36A-AU	36	40	44.2	1	0.1	58.1	10.3	FMPS
P6AF40A-AU	40	44.4	49.1	1	0.1	64.5	9.3	FMRS
P6AF43A-AU	43	47.8	52.8	1	0.1	69.4	8.6	FMTS
P6AF45A-AU	45	50	55.3	1	0.1	72.7	8.3	FMVS
P6AF48A-AU	48	53.3	58.9	1	0.1	77.4	7.8	FMXS
P6AF51A-AU	51	56.7	62.7	1	0.1	82.4	7.3	FMZS
P6AF54A-AU	54	60	66.3	1	0.1	87.1	6.9	FNES
P6AF58A-AU	58	64.4	71.2	1	0.1	93.6	6.4	FNGS
P6AF60A-AU	60	66.7	73.7	1	0.1	96.8	6.2	FNKS
P6AF64A-AU	64	71.1	78.6	1	0.1	103	5.8	FNMS



P6AF3.3A-AU~P6AF64A-AU

TYPICAL CHARACTERISTIC CURVES

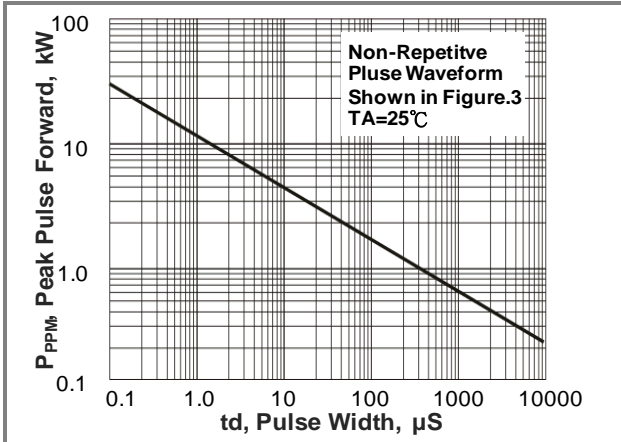


Fig.1 Peak Pulse Power Rating Curve

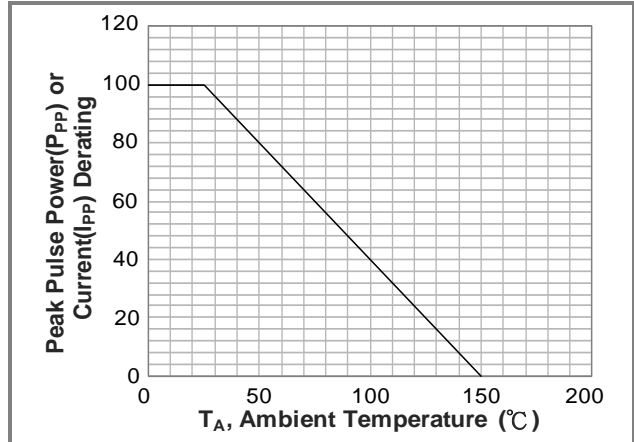


Fig.2 Derating Curve

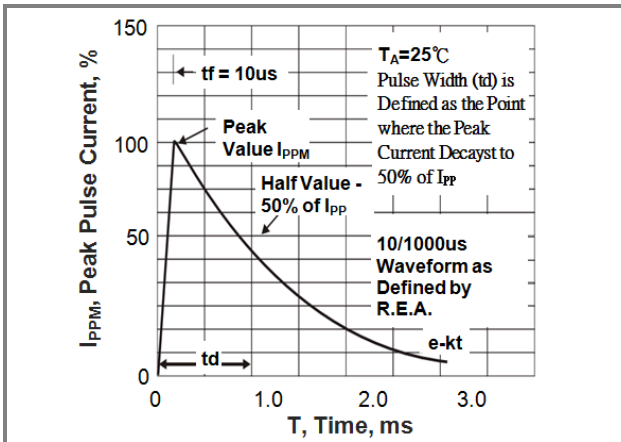


Fig.3 Pulse Waveform

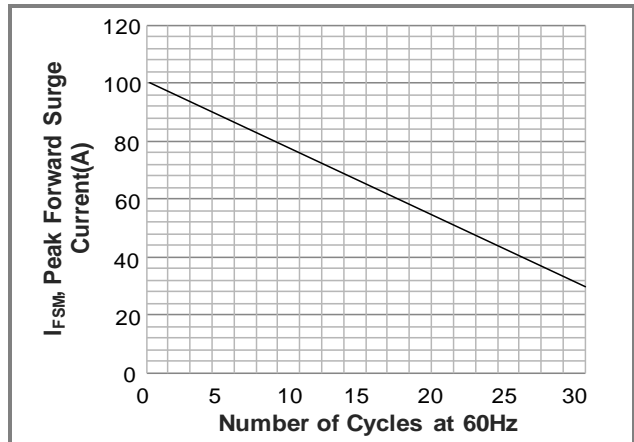


Fig.4 Maximum Non-repetitive Peak Forward Surge Current

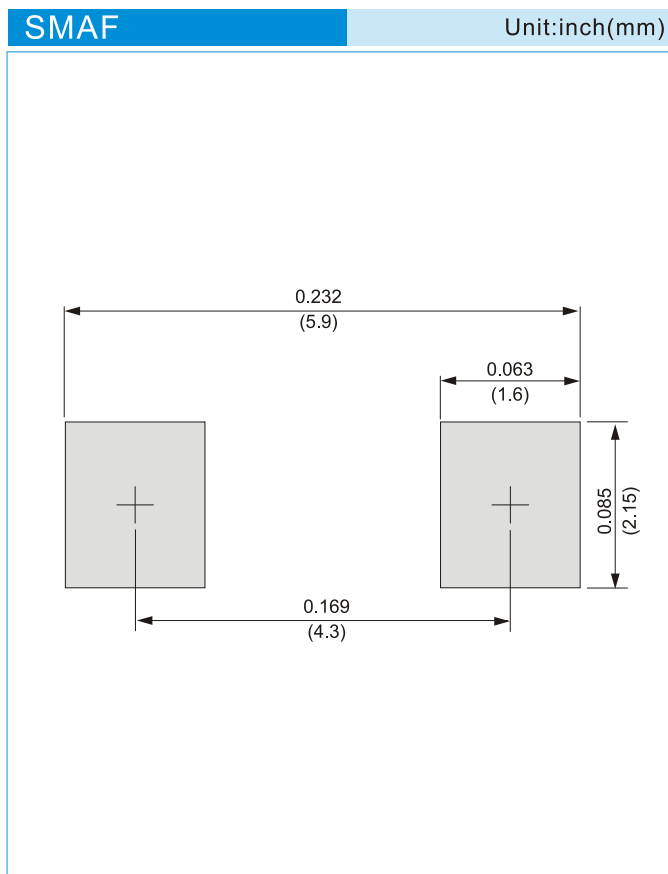


P6AF3.3A-AU~P6AF64A-AU

Part No Packing Code Version

Part No Packing Code	Package Type	Packing Type	Marking	Version
P6AF3.3A-AU_R1_000A1	SMAF	3K pcs / 7" reel	FKCS	Halogen free
P6AF3.3A-AU_R2_000A1	SMAF	10K pcs / 13" reel	FKCS	Halogen free

Mounting Pad Layout





P6AF3.3A-AU~P6AF64A-AU

Disclaimer

- Reproducing and modifying information of the document is prohibited without permission from Panjit International Inc..
- Panjit International Inc. reserves the rights to make changes of the content herein the document anytime without notification. Please refer to our website for the latest document.
- Panjit International Inc. disclaims any and all liability arising out of the application or use of any product including damages incidentally and consequentially occurred.
- Panjit International Inc. does not assume any and all implied warranties, including warranties of fitness for particular purpose, non-infringement and merchantability.
- Applications shown on the herein document are examples of standard use and operation. Customers are responsible in comprehending the suitable use in particular applications. Panjit International Inc. makes no representation or warranty that such applications will be suitable for the specified use without further testing or modification.
- The products shown herein are not designed and authorized for equipments relating to human life and for any applications concerning life-saving or life-sustaining, such as medical instruments, aerospace machinery et cetera. Customers using or selling these products for use in such applications do so at their own risk and agree to fully indemnify Panjit International Inc. for any damages resulting from such improper use or sale.
- Since Panjit uses lot number as the tracking base, please provide the lot number for tracking when complaining.

单击下面可查看定价，库存，交付和生命周期等信息

[>>Panjit\(强茂\)](#)