



DATA SHEET

1N4148-34/1N4148-35

SWITCHING DIODES

VOLTAGE

75 Volts

POWER

500 mW

FEATURES

- Fast switching Speed.
- Electrically Identical to Standard JEDEC
- High Conductance
- Axial lead Package Ideally Suited for Automatic Insertion.

MECHANICAL DATA

Case: DO-34 / DO-35 glass case.

Weight: approximately 0.012g

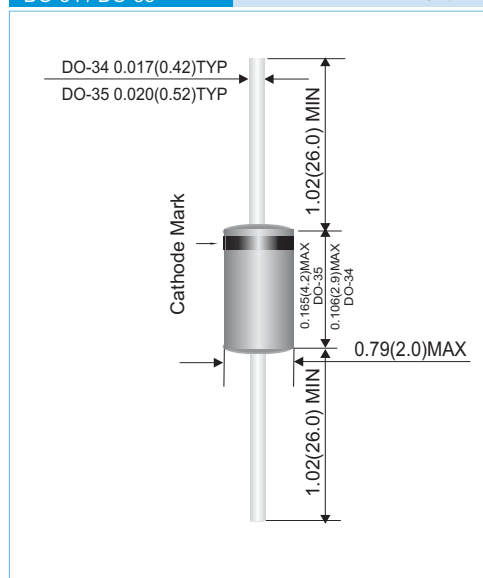
Available in 52mm Tape and Reel

Use 1N4148 - 34 to order the DO-34 Package.

Use 1N4148 - 35 to order the DO-35 Package.

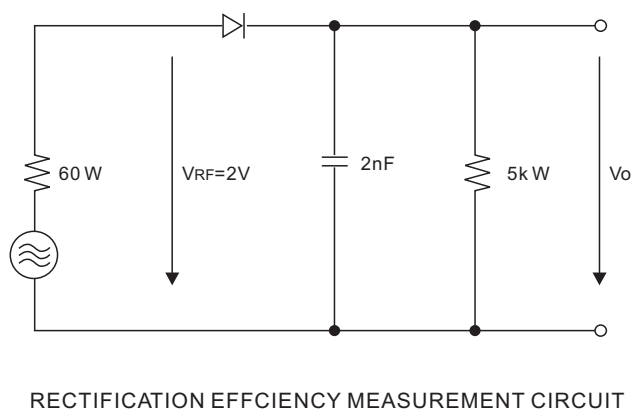
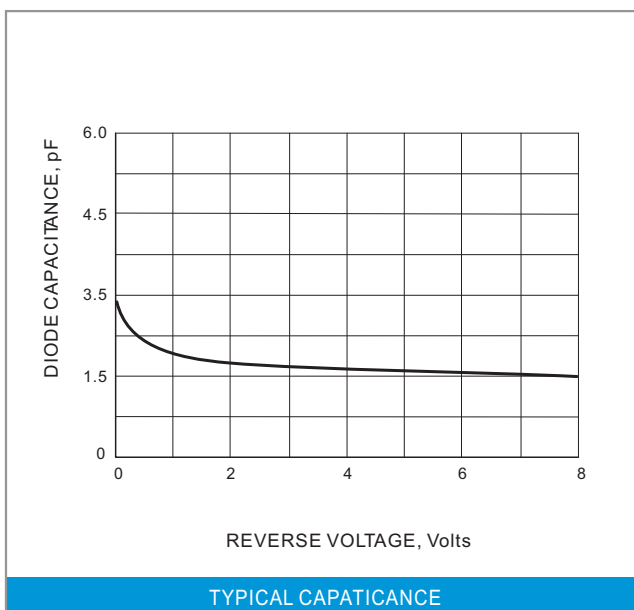
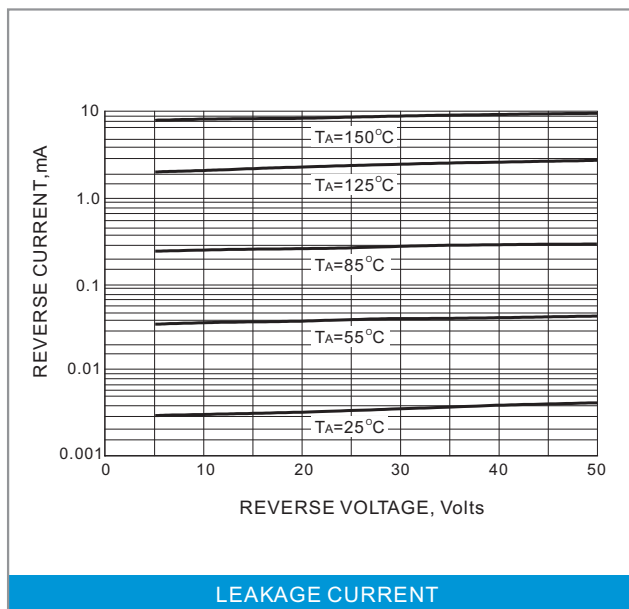
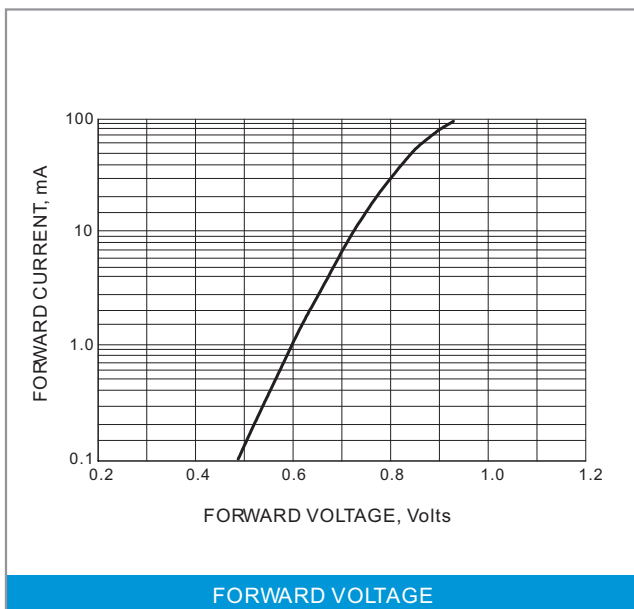
DO-34 / DO-35

Unit: mm



MAXIMUM RATINGS AND ELECTRICAL CHARACTERISTICS (T_J=25°C unless otherwise noted)

| PARAMETER | SYMBOL | 1N4148 | UNITS |
|---|------------------|---------------|----------------|
| Reverse Voltage | V _R | 75 | V |
| Peak Reverse Voltage | V _{RM} | 100 | V |
| Maximum RMS Voltage | V _{RMS} | 50 | V |
| Maximum DC Blocking Voltage | V _{DC} | 75 | V |
| Maximum Average Forward Current at T _a =25 °C And f ≥50Hz | I _{AV} | 150 | mA |
| Surge Forward Current at t < 1s and T _J =25 °C | I _{FSM} | 500 | mA |
| Power Dissipation at Tamb= 25 °C | P _{TOT} | 500 | mW |
| Maximum Forward Voltage at I _F =10mA | V _F | 1.0 | V |
| Maximum Leakage Current at V _R =20V at V _R =75V at V _R =20V ,T _J = 150 °C | I _R | 25 5 50 | nA μA μA |
| Maximum Capacitance at V _F =V _R =0 | C _{tot} | 4 | pF |
| Maximum Reverse Recovery Time From I _F =I _R =10mA to I _{RR} =-1mA ,V _R =6V R _L =100 Ω | T _{RR} | 4 | ns |
| Maximum Voltage Rise When Switching On Tested With 50mA Forward Pulses T _p =0.1uA , Rise Time<30ns ,f _p =5~100kHz | V _{FR} | 2.5 | V |
| Maximum Thermal Resistance | RθJA | 350 | °C / W |
| Junction Temperature | T _J | 175 | °C |
| Storage Temperature Range | T _S | -65 to +175 | °C |



单击下面可查看定价，库存，交付和生命周期等信息

[>>Panjit\(强茂\)](#)