



QRT1506/QRT1506F/QRT1506D

PLANAR STRUCTURED SUPERFAST RECOVERY RECTIFIERS

VOLTAGE 600 Volt **CURRENT** 15 Ampere

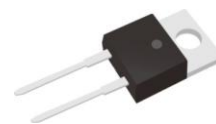
FEATURES

- Planar structure with EPI wafer
- Hyperfast recovery time, reduced Q_{rr} and soft recovery
- For PFC CCM operation
- Low leakage current
- Plastic package has Underwriters Laboratory Flammability Classification 94V-O Flame Retardant Epoxy Molding Compound
- Lead free in compliance with EU RoHS 2011/65/EU directive
- Green molding compound as per IEC61249 Std. . (Halogen Free)

MECHANICAL DATA

- Case: TO-220AC, ITO-220AC, TO-263 package
- Terminals: Lead solderable per MIL-STD-750, Method 2026
- TO-220AC Weight: 0.067 ounces, 1.89 grams
- ITO-220AC Weight: 0.055 ounces, 1.56 grams
- TO-263 Weight: 0.051 ounces, 1.46 grams

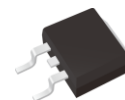
QRT1506 TO-220AC



QRT1506F ITO-220AC



QRT1506D TO-263



MAXIMUM RATINGS($T_A=25^{\circ}\text{C}$ unless otherwise noted)

PARAMETER	SYMBOL	VALUE	UNIT
Maximum recurrent peak reverse voltage	V_{RRM}	600	V
Maximum rms voltage	V_{RMS}	420	V
Maximum dc blocking voltage	V_R	600	V
Maximum average forward rectified current	$I_{F(AV)}$	15	A
Peak forward surge current 8.3ms single half sine-wave superimposed on rated load	I_{FSM}	150	A
Typical thermal resistance	$R_{\theta JC}$	TO-220AC(Note 1)	2
		ITO-220AC(Note 1)	5.5
		TO-263 (Note 1)	2
Operating junction temperature range	T_J	-55 to + 175	$^{\circ}\text{C}$
Storage temperature range	T_{STG}	-55 to + 175	$^{\circ}\text{C}$

NOTE:

1. Device mounted on a infinite heatsink , then measured the center of the marking side.



QRT1506/QRT1506F/QRT1506D

ELECTRICAL CHARACTERISTICS(T_A=25°C unless otherwise noted)

PARAMETER	SYMBOL	TEST CONDITIONS	MIN.	TYP.	MAX.	UNIT
Breakdown voltage	V _{BR}	I _R =100μA	600	-	-	V
Instantaneous forward voltage	V _F	I _F =1A	-	1	-	V
		I _F =5A	-	1.53	-	
		I _F =15A	-	2.13	2.35	
		I _F =1A	-	0.64	-	V
I _F =5A	T _J =125°C	-	0.97	-		
I _F =15A	T _J =125°C	-	1.36	1.55		
Reverse leakage current	I _R	V _R =600V T _J =25°C T _J =125°C	- -	- -	3 100	μA
Reverse recovery time	T _{RR}	I _F =0.5A I _R =1A I _{RR} =0.25A T _J =25°C	-	-	30	ns
		I _F =1A V _R =30V di/dt=100A/μs T _J =25°C	-	-	25	ns
		I _F =15A V _R =400V di/dt=200A/μs T _J =25°C	-	40	-	ns
Peak recovery current	I _{RRM}	I _F =15A V _R =400V di/dt=200A/μs T _J =25°C	-	2.5	-	A
Reverse recovery charge	Q _{RR}	I _F =15A V _R =400V di/dt=200A/μs T _J =25°C	-	55	-	nC



QRT1506/QRT1506F/QRT1506D

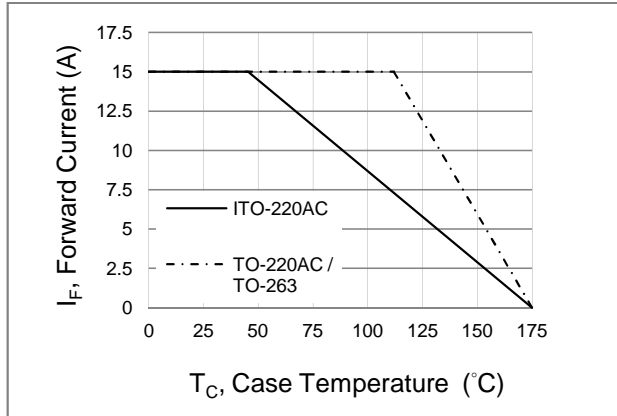


Fig.1 Forward Current Derating Curve

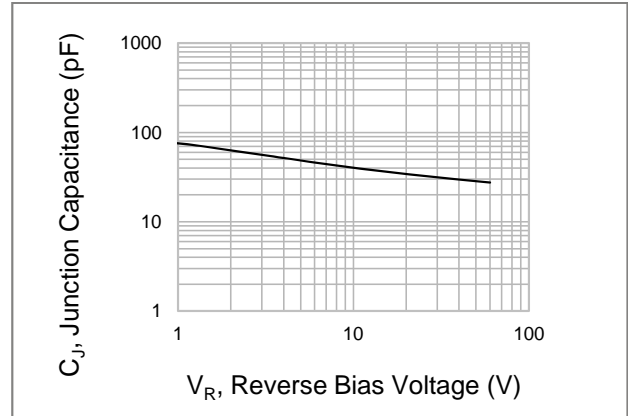


Fig.2 Typical Junction Capacitance

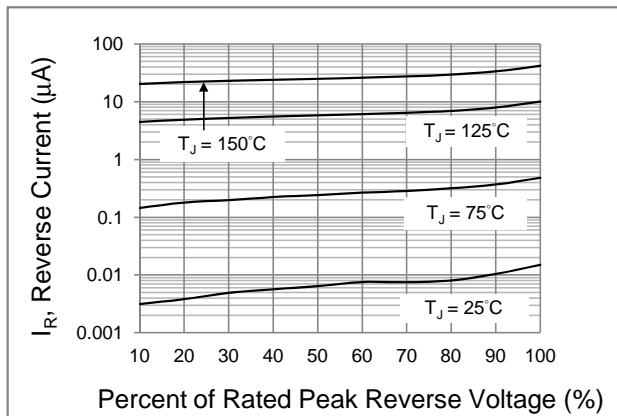


Fig.3 Typical Reverse Characteristics

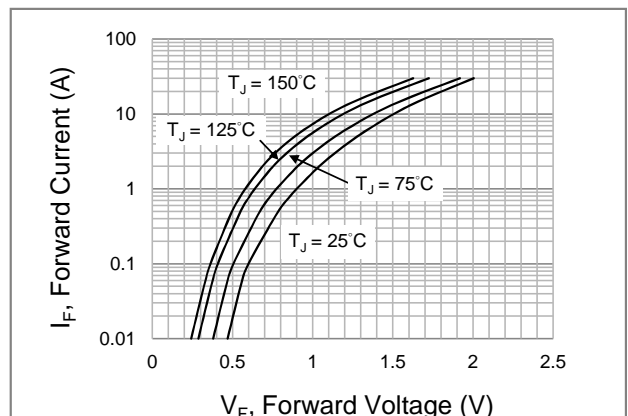


Fig.4 Typical Forward Characteristics

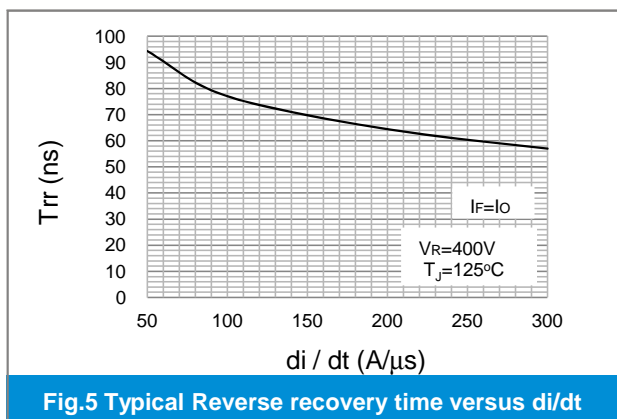


Fig.5 Typical Reverse recovery time versus di/dt

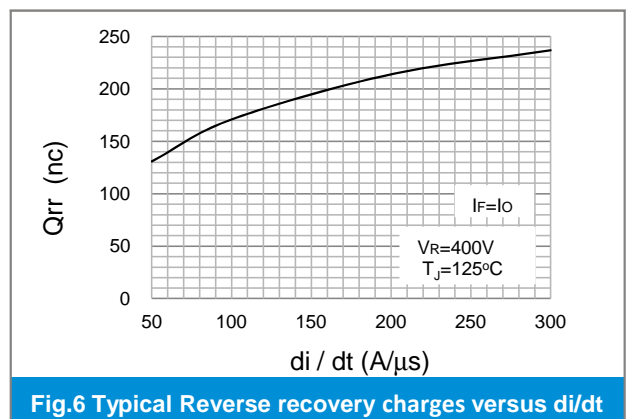


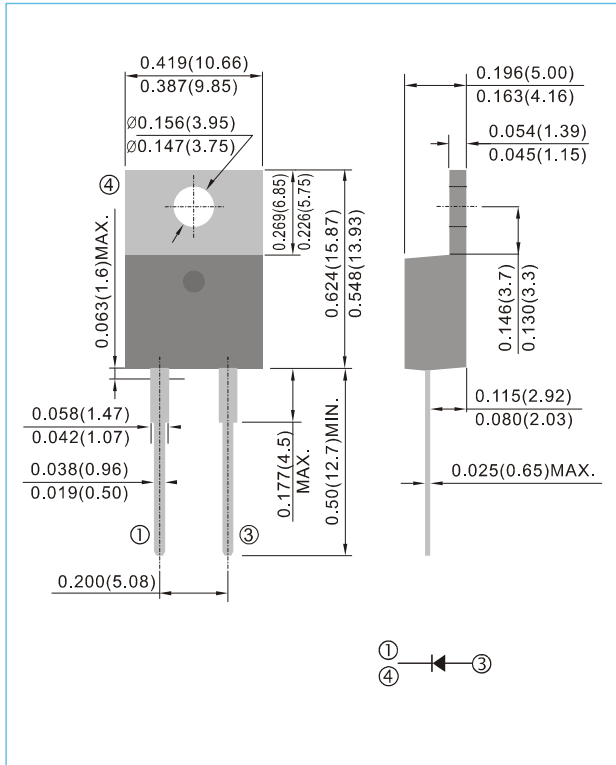
Fig.6 Typical Reverse recovery charges versus di/dt



QRT1506/QRT1506F/QRT1506D

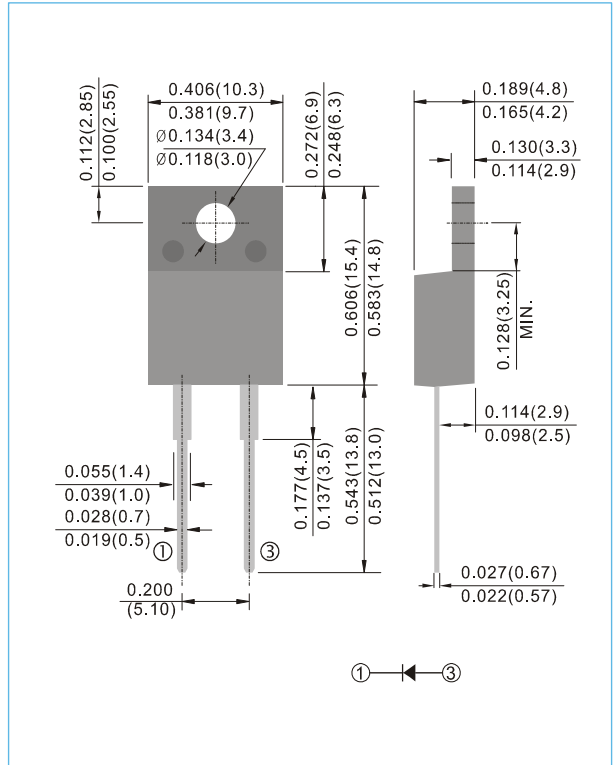
TO-220AC

Unit : inch(mm)



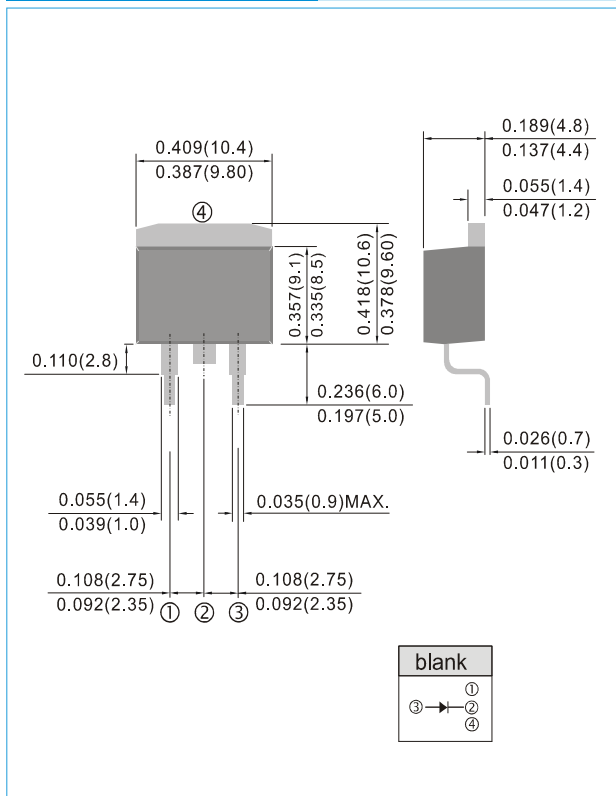
ITO-220AC

Unit : inch(mm)



TO-263 / D²PAK

Unit : inch(mm)



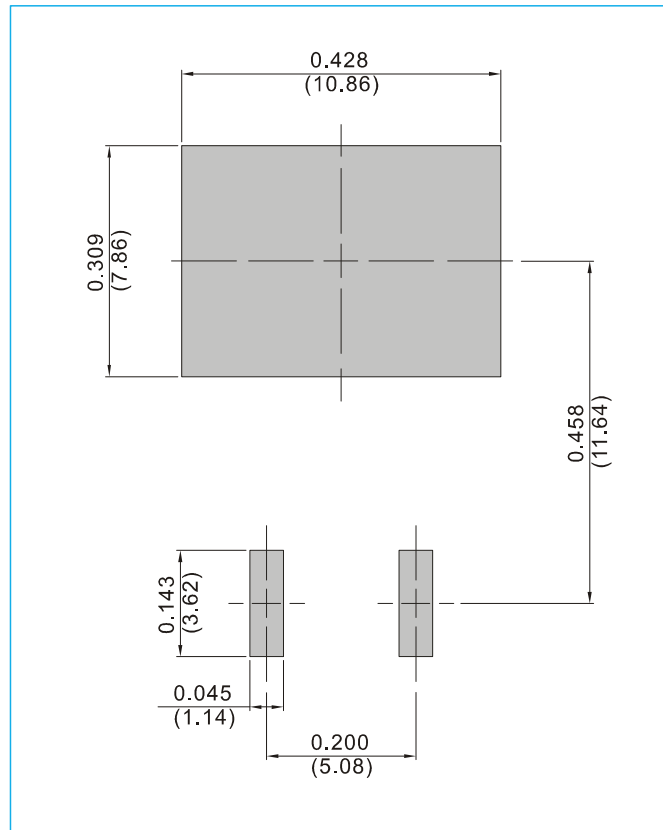


QRT1506/QRT1506F/QRT1506D

MOUNTING PAD LAYOUT

TO-263 / D²PAK

Unit : inch(mm)



ORDER INFORMATION

- Packing information
T/R - 0.8K per 13" plastic Reel



QRT1506/QRT1506F/QRT1506D

Part No_packing code_Version

QRT1506_T0_00001
QRT1506F_T0_00001
QRT1506D_R2_00001

For example :

RB500V-40_R2_00001



Packing Code XX				Version Code XXXXX		
Packing type	1 st Code	Packing size code	2 nd Code	HF or RoHS	1 st Code	2 nd ~5 th Code
Tape and Ammunition Box (T/B)	A	N/A	0	HF	0	serial number
Tape and Reel (T/R)	R	7"	1	RoHS	1	serial number
Bulk Packing (B/P)	B	13"	2			
Tube Packing (T/P)	T	26mm	X			
Tape and Reel (Right Oriented) (TRR)	S	52mm	Y			
Tape and Reel (Left Oriented) (TRL)	L	PANASERT T/B CATHODE UP (PBCU)	U			
FORMING	F	PANASERT T/B CATHODE DOWN (PBCD)	D			



QRT1506/QRT1506F/QRT1506D

Disclaimer

- Reproducing and modifying information of the document is prohibited without permission from Panjit International Inc..
- Panjit International Inc. reserves the rights to make changes of the content herein the document anytime without notification. Please refer to our website for the latest document.
- Panjit International Inc. disclaims any and all liability arising out of the application or use of any product including damages incidentally and consequentially occurred.
- Panjit International Inc. does not assume any and all implied warranties, including warranties of fitness for particular purpose, non-infringement and merchantability.
- Applications shown on the herein document are examples of standard use and operation. Customers are responsible in comprehending the suitable use in particular applications. Panjit International Inc. makes no representation or warranty that such applications will be suitable for the specified use without further testing or modification.
- The products shown herein are not designed and authorized for equipments requiring high level of reliability or relating to human life and for any applications concerning life-saving or life-sustaining, such as medical instruments, transportation equipment, aerospace machinery et cetera. Customers using or selling these products for use in such applications do so at their own risk and agree to fully indemnify Panjit International Inc. for any damages resulting from such improper use or sale.
- Since Panjit uses lot number as the tracking base, please provide the lot number for tracking when complaining.

单击下面可查看定价，库存，交付和生命周期等信息

[>>Panjit\(强茂\)](#)