

## Cable gland - G-ESIS-M40-M68L-PEPDS-BK - 1415111

Please be informed that the data shown in this PDF Document is generated from our Online Catalog. Please find the complete data in the user's documentation. Our General Terms of Use for Downloads are valid (<http://phoenixcontact.com/download>)



Cable gland, Cable gland material: Polyamide, Application: Ex, External cable diameter 17 mm ... 28 mm, Shielding: No, Connecting thread: M40, Color: black

The figure shows the G-ESIS-M25-M68L-PEPDS-BK version



### Key Commercial Data

Packing unit	1 pc
Minimum order quantity	5 pc
Custom tariff number	39269097
Country of origin	Germany

### Technical data

#### Dimensions

Length	58 mm
Length without connecting thread	40 mm
Connecting thread diameter	40 mm
Wrench size, union nut	46 mm
Wrench size, support	46 mm
Hexagon angular dimension GRP	51 mm
Length of the connecting thread	18 mm
External cable diameter	17 mm ... 28 mm

#### Ambient conditions

Degree of protection	IP66
	IP68 (5 bar / 0.5 h)
Ambient temperature (operation)	-40 °C ... 75 °C

# Cable gland - G-ESIS-M40-M68L-PEPDS-BK - 1415111

## Technical data

### General

Cable gland material	Polyamide
Seal material	EPDM
O-ring material	EPDM
Thread type on connection side	M40
Torque	11 Nm (Support)
Tightening torque, union nut	10.00 Nm
Color	black
ATEX	II 2 G Ex e IIC Gb, II 2 D Ex tb IIIC Db
IECEX	Ex e IIC Gb, Ex tb IIIC Db

## Classifications

### eCl@ss

eCl@ss 5.1	27149109
eCl@ss 6.0	27149109

### ETIM

ETIM 5.0	EC000441
----------	----------

## Approvals

### Approvals

---

### Approvals

GL

---

### Ex Approvals

ATEX / IECEX / EAC Ex

---

### Approvals submitted

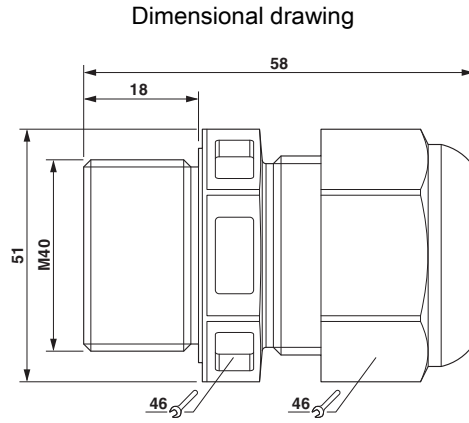
---

## Approval details

--

# Cable gland - G-ESIS-M40-M68L-PEPDS-BK - 1415111

## Drawings



---

Phoenix Contact 2015 © - all rights reserved  
<http://www.phoenixcontact.com>

单击下面可查看定价，库存，交付和生命周期等信息

[>>Phoenix Contact\(菲尼克斯\)](#)