


IPCV 16/ 3-GF-10,16

Order No.: 1969784

The figure shows a 5-pos. version of the product

<http://eshop.phoenixcontact.de/phoenix/treeViewClick.do?UID=1969784>

Header, Nominal current: 76 A, Rated voltage (III/2): 1000 V, Number of positions: 3, Pitch: 10.16 mm, Color: green, Metal surface: Sn, Assembly: Soldering

| Commercial data | |
|--------------------------|--|
| GTIN (EAN) |  4 017918 946791 |
| sales group | E541 |
| Pack | 50 pcs. |
| Customs tariff | 85366990 |
| Catalog page information | Page 427 (CC-2009) |

Product notesWEEE/RoHS-compliant since:
05/05/2003

<http://www.download.phoenixcontact.com>
Please note that the data given here has been taken from the online catalog. For comprehensive information and data, please refer to the user documentation. The General Terms and Conditions of Use apply to Internet downloads.

| Technical data | |
|-------------------------------|----------|
| Dimensions / positions | |
| Length | 13.6 mm |
| Pitch | 10.16 mm |
| Dimension a | 20.32 mm |
| Number of positions | 3 |

| | |
|----------------|-----------|
| Pin dimensions | 0,8 x 1,2 |
| Pin spacing | 10.16 mm |
| Hole diameter | 1.7 mm |

Technical data

| | |
|-------------------------------------|---------------|
| Range of articles | IPCV 16/..-GF |
| Insulating material group | I |
| Rated surge voltage (III/3) | 8 kV |
| Rated surge voltage (III/2) | 8 kV |
| Rated surge voltage (II/2) | 8 kV |
| Rated voltage (III/2) | 1000 V |
| Rated voltage (II/2) | 1000 V |
| Nominal current I_N | 76 A |
| Nominal voltage U_N | 1000 V |
| Maximum load current | 76 A |
| Insulating material | PA |
| Inflammability class acc. to UL 94 | V0 |
| Nominal voltage, UL/CUL Use Group B | 300 V |
| Nominal current, UL/CUL Use Group B | 66 A |
| Nominal voltage, UL/CUL Use Group C | 300 V |
| Nominal current, UL/CUL Use Group C | 66 A |
| Nominal voltage, UL/CUL Use Group D | 600 V |
| Nominal current, UL/CUL Use Group D | 5 A |

Certificates / Approvals



Certification

CB, CCA, CUL, SEV, UL

Accessories

| Item | Designation | Description |
|------|-------------|-------------|
|------|-------------|-------------|

General

| | | |
|---------|--------------|---|
| 1970016 | CS-IPC 16/ 6 | Coding pin, serves to ensure correct polarization on the PCB during manual mounting |
|---------|--------------|---|

Marking

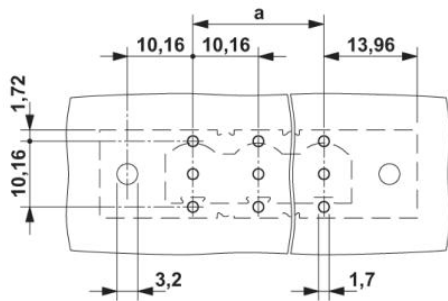
| | | |
|---------|------------------------|---|
| 0805179 | SK 10/5:SO | Marker card, special printing, self-adhesive, labeled acc. to customer requirements, 10 identical marker strips per card, max. 25-position labeling per strip, color: White |
| 0803922 | SK U/5,0 WH:UNBEDRUCKT | Kennzeichnungskarten unbedruckt, DIN A4-Format, freie Rastereinteilung, selbstklebend, mit 35 vorgestanzten Kennzeichnungsstreifen, 185 mm Streifenlänge, beschriftbar mit dem CMS-System oder manuell mit dem B-STIFT oder X-PEN |

Plug/Adapter

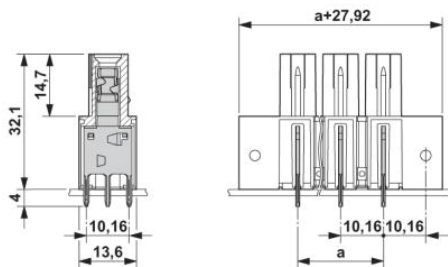
| | | |
|---------|----------|----------------------------|
| 1600027 | CP-HCC 4 | Coding profile, Color: red |
|---------|----------|----------------------------|

Diagrams/Drawings

Drilling plan/solder pad geometry



Dimensioned drawing



Address

PHOENIX CONTACT Inc., USA
586 Fulling Mill Road
Middletown, PA 17057, USA
Phone (800) 888-7388
Fax (717) 944-1625
<http://www.phoenixcon.com>



© 2011 Phoenix Contact
Technical modifications reserved;

单击下面可查看定价，库存，交付和生命周期等信息

[>>Phoenix Contact\(菲尼克斯\)](#)