

Flush-type connector - SACC-DSI-M8MS-8CON-M8-L180 SH - 1424236

Please be informed that the data shown in this PDF Document is generated from our Online Catalog. Please find the complete data in the user's documentation. Our General Terms of Use for Downloads are valid (<http://download.phoenixcontact.com>)



Sensor/actuator flush-type plug-in connector, plug, 8-pos., M8, rear/screw mounting with M8 fastening thread, with straight solder connection



Key commercial data

Packing unit	0
Minimum order quantity	1
GTIN	 4 046356 712484
Custom tariff number	85366990
Country of origin	GERMANY

Technical data

General data

Rated current at 40°C	1.5 A
Rated voltage	30 V
Number of positions	8
Volume resistance	≤ 3 mΩ
Insulation resistance	≥ 100 MΩ

General characteristics

Standards/regulations	M8 plug-in connector IEC 61076-2-104
Surge voltage category	II
Pollution degree	3
Degree of protection	IP67
Contact material	Cu alloy
Contact surface material	Au
Contact carrier material	PA 66
Material, knurls	Zinc die-cast, nickel-plated
Mounting type	Rear mounting M8 x 1 With flat nut
Connection method	Solder pins

Flush-type connector - SACC-DSI-M8MS-8CON-M8-L180 SH - 1424236

Technical data

General characteristics

Status display	No
----------------	----

Classifications

ETIM

ETIM 3.0	EC002061
ETIM 4.0	EC002635
ETIM 5.0	EC002635

UNSPSC

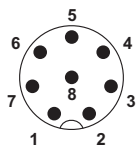
UNSPSC 11	31251501
UNSPSC 12.01	31251501
UNSPSC 13.2	31251501
UNSPSC 6.01	31251501
UNSPSC 7.0901	31251501

eCl@ss

eCl@ss 4.0	27250313
eCl@ss 4.1	27250313
eCl@ss 5.0	27260701
eCl@ss 5.1	27143423
eCl@ss 6.0	27143423
eCl@ss 7.0	27449001

Drawings

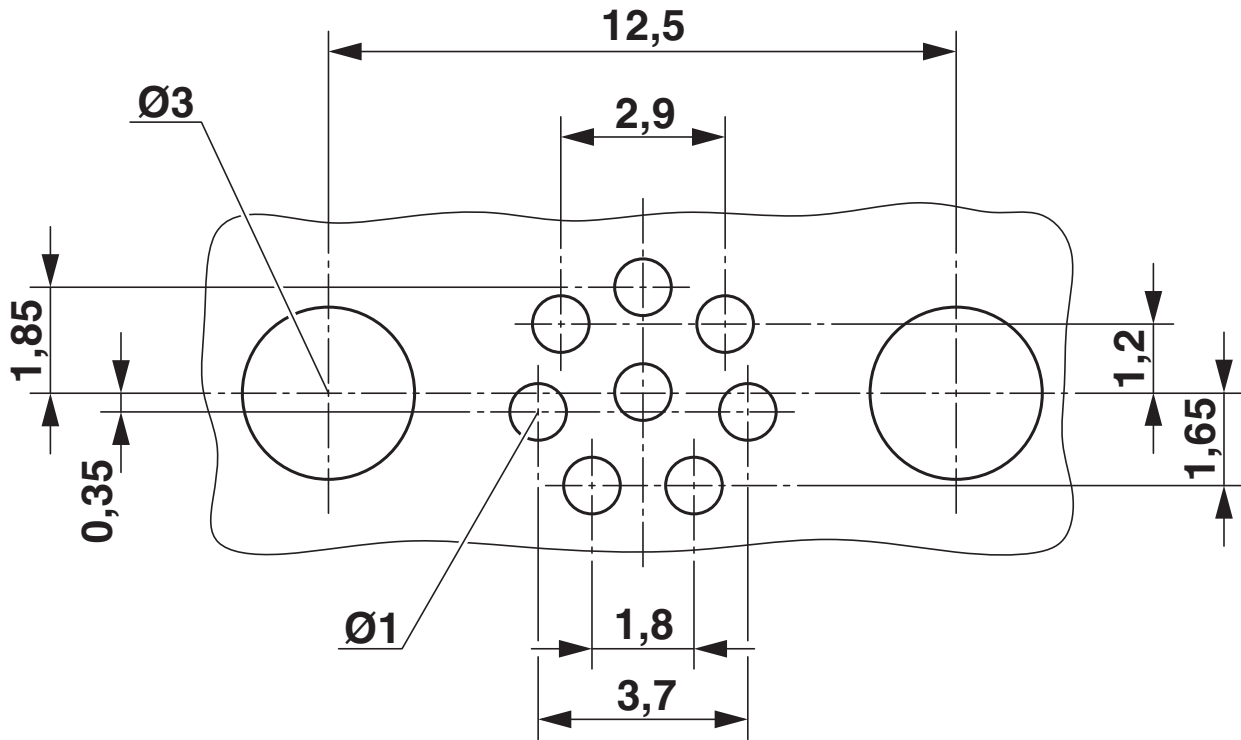
Schematic diagram



M8 plug pin assignment, 8-pos., view of pin side

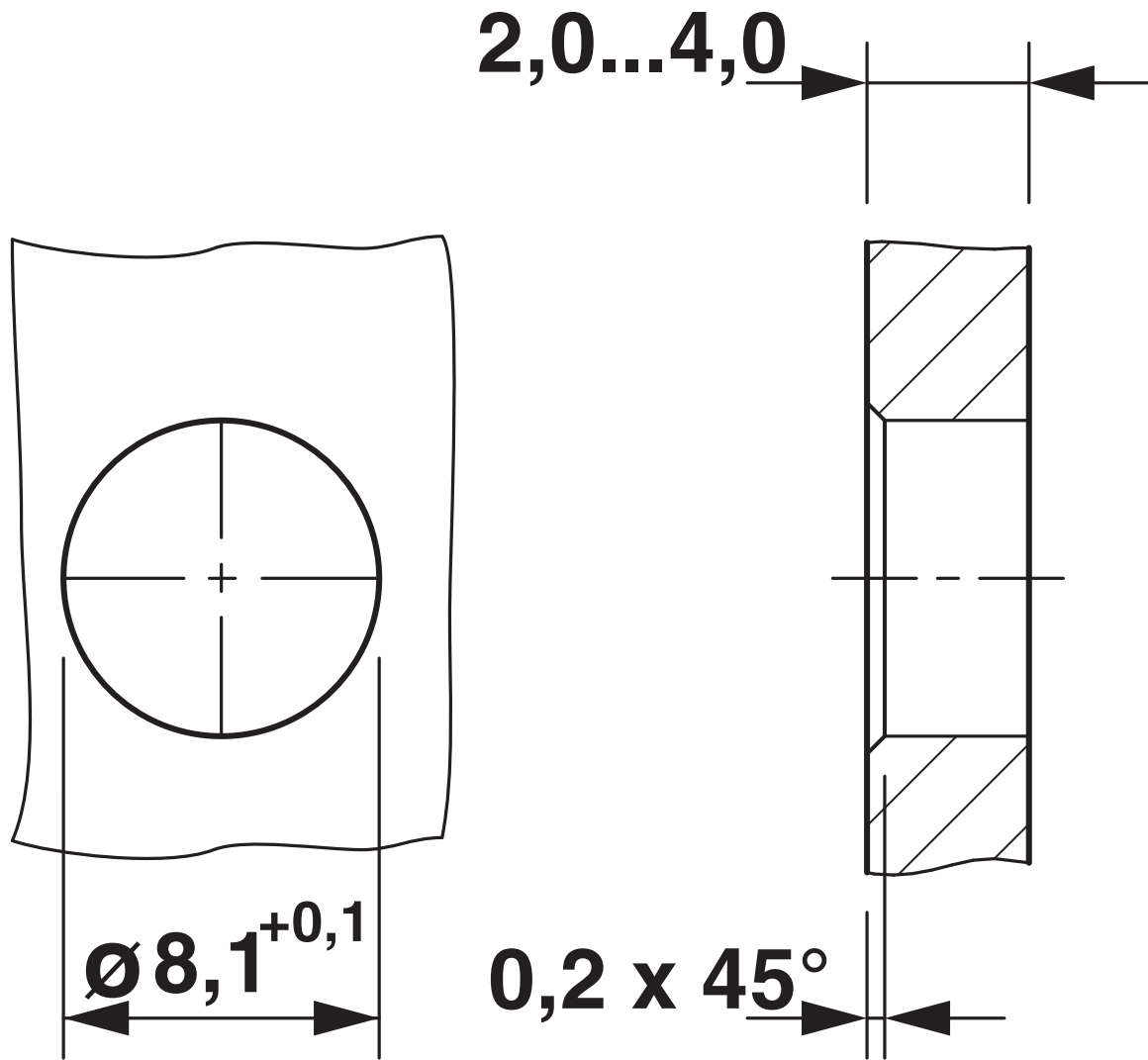
Flush-type connector - SACC-DSI-M8MS-8CON-M8-L180 SH - 1424236

Drilling diagram



Flush-type connector - SACC-DSI-M8MS-8CON-M8-L180 SH - 1424236

Dimensioned drawing



单击下面可查看定价，库存，交付和生命周期等信息

[>>Phoenix Contact \(菲尼克斯\)](#)