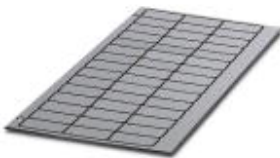


Engraving material - GPE 45X14 SR/R - 0807009

Please be informed that the data shown in this PDF Document is generated from our Online Catalog. Please find the complete data in the user's documentation. Our General Terms of Use for Downloads are valid (<http://download.phoenixcontact.com>)

Engraving material, Sheet, silver, Unlabeled, Can be labeled with: Gravur, Plotter, Mounting type: Adhesive, Lettering field: 45 x 14 mm



The figure shows the version GPE 27x12,5 SR/R

Why buy this product

- Can be engraved using the P1 ENGRAVING UNIT
- Can be labeled easily using the CMS-P1-PLOTTER
- Two-layer material
- The adhesive foil used ensures good adhesive properties, even on uneven surfaces
- Labeling service: Phoenix Contact can custom-label all GPE ... markers according to your requirements
- The label sheet consists of prefabricated, individual self-adhesive labels



Key commercial data

Packing unit	1
Minimum order quantity	10
Catalog page	Page 226 (CL2-2011)
GTIN	 4 017918 160012
Weight per Piece (excluding packing)	18.96 GRM
Country of origin	GERMANY

Technical data

General

Note	Can be labeled with CMS
Height	14 mm
Width (a)	45 mm
Color	silver
Ambient temperature (operation)	-20 °C ... 85 °C
Components	free from silicone and halogen
Material	TRANSPLY-ABS
Number of individual labels	26

Engraving material - GPE 45X14 SR/R - 0807009

Technical data

General

Number of individual labels per row	2
-------------------------------------	---

Classifications

eclass

eCl@ss 4.0	24190218
eCl@ss 4.1	24190218
eCl@ss 5.0	27141137
eCl@ss 5.1	27141137
eCl@ss 6.0	27141137

etim

ETIM 2.0	EC000761
ETIM 3.0	EC000761
ETIM 4.0	EC000761

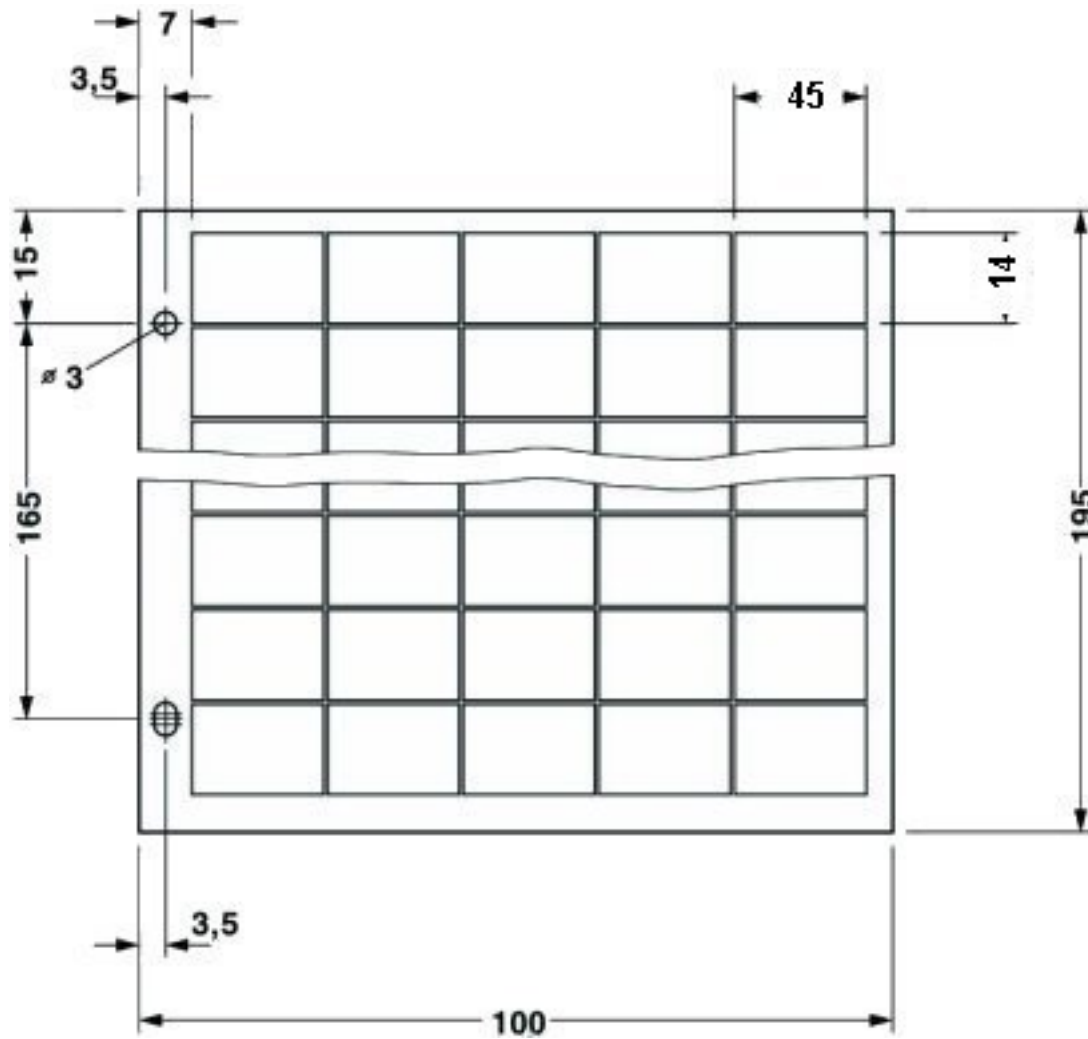
unspsc

UNSPSC 6.01	30211811
UNSPSC 7.0901	39121410
UNSPSC 11	39121410
UNSPSC 12.01	39121410
UNSPSC 13.2	39121410

Drawings

Engraving material - GPE 45X14 SR/R - 0807009

Dimensioned drawing



© Phoenix Contact 2012 - all rights reserved
<http://www.phoenixcontact.com>

单击下面可查看定价，库存，交付和生命周期等信息

[>>Phoenix Contact\(菲尼克斯\)](#)