

## Cable gland - G-ESIS-M16-S68N-NEPDS-S - 1415124

Please be informed that the data shown in this PDF Document is generated from our Online Catalog. Please find the complete data in the user's documentation. Our General Terms of Use for Downloads are valid (<http://phoenixcontact.com/download>)



Cable gland, Cable gland material: Nickel-plated brass, Application: Ex, External cable diameter 5 mm ... 10 mm, Shielding: No, Connecting thread: M16, Color: silver

The figure shows the G-ESIS-M25-M68N-NEPDS-S version



### Key Commercial Data

|                        |          |
|------------------------|----------|
| Packing unit           | 1 pc     |
| Minimum order quantity | 10 pc    |
| Custom tariff number   | 74199990 |
| Country of origin      | Germany  |

### Technical data

#### Dimensions

|                                  |                |
|----------------------------------|----------------|
| Length                           | 33 mm          |
| Length without connecting thread | 21 mm          |
| Connecting thread diameter       | 16 mm          |
| Wrench size, union nut           | 20 mm          |
| Wrench size, support             | 20 mm          |
| Hexagon angular dimension GRP    | 22 mm          |
| Length of the connecting thread  | 12 mm          |
| External cable diameter          | 5 mm ... 10 mm |

#### Ambient conditions

|                                 |                      |
|---------------------------------|----------------------|
| Degree of protection            | IP66                 |
|                                 | IP68 (5 bar / 0.5 h) |
| Ambient temperature (operation) | -40 °C ... 75 °C     |

# Cable gland - G-ESIS-M16-S68N-NEPDS-S - 1415124

## Technical data

### General

|                                |                            |
|--------------------------------|----------------------------|
| Cable gland material           | Nickel-plated brass        |
| Seal material                  | EPDM                       |
| O-ring material                | EPDM                       |
| Thread type on connection side | M16                        |
| Torque                         | 4 Nm (Support)             |
| Tightening torque, union nut   | 4.00 Nm                    |
| Color                          | silver                     |
| ATEX                           | II 2 G/D EEx e II IP68     |
| IECEX                          | Ex e IIC Gb, Ex tb IIIC Db |

## Classifications

### eCl@ss

|            |          |
|------------|----------|
| eCl@ss 5.1 | 27149109 |
| eCl@ss 6.0 | 27149109 |

### ETIM

|          |          |
|----------|----------|
| ETIM 5.0 | EC000441 |
|----------|----------|

## Approvals

### Approvals

#### Approvals

UL Recognized / cUL Recognized / GL / cULus Recognized

#### Ex Approvals

ATEX / IECEX / EAC Ex

#### Approvals submitted

### Approval details

|               |
|---------------|
| UL Recognized |
|---------------|

# Cable gland - G-ESIS-M16-S68N-NEPDS-S - 1415124

## Approvals

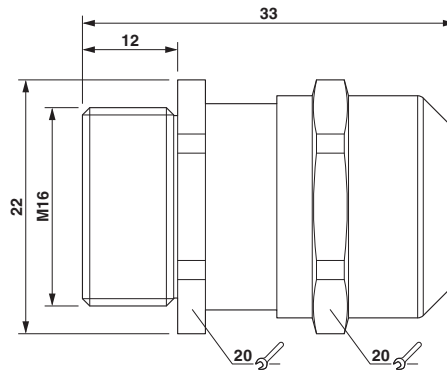
cUL Recognized

GL

cULus Recognized

## Drawings

Dimensional drawing



单击下面可查看定价，库存，交付和生命周期等信息

[>>Phoenix Contact\(菲尼克斯\)](#)