

## Ferrule - Al 2,5-8 BU S1 - 1200108

Please be informed that the data shown in this PDF Document is generated from our Online Catalog. Please find the complete data in the user's documentation. Our General Terms of Use for Downloads are valid (<http://phoenixcontact.com/download>)

Taped ferrules, 2.5 mm<sup>2</sup>, sleeve length 8 mm, with plastic collar, according to DIN 46228-4, blue, for processing with the CRIMPFOX 4 IN 1, 10 strips each with 40 sleeves per strip.



### Key commercial data

Packing unit	1 pc
Minimum order quantity	400 pc
Weight per Piece (excluding packing)	0.15 GRM
Custom tariff number	85369010
Country of origin	Germany

### Technical data

#### Dimensions

Length (b)	14 mm
Maximum stripping length	11 mm
Sleeve length	8 mm
Inner dimension of the insulating collar (d)	4.2 mm
Ferrule diameter	2.3 mm
Insulating collar thickness	0.3 mm
Sleeve wall thickness	0.15 mm

#### Ambient conditions

Short-term temperature	120 °C
Max. permanent temperature	105 °C

#### General

Color	blue
Components	free from silicone and halogen
Inflammability class according to UL 94	HB
Material	E-CU

# Ferrule - Al 2,5-8 BU S1 - 1200108

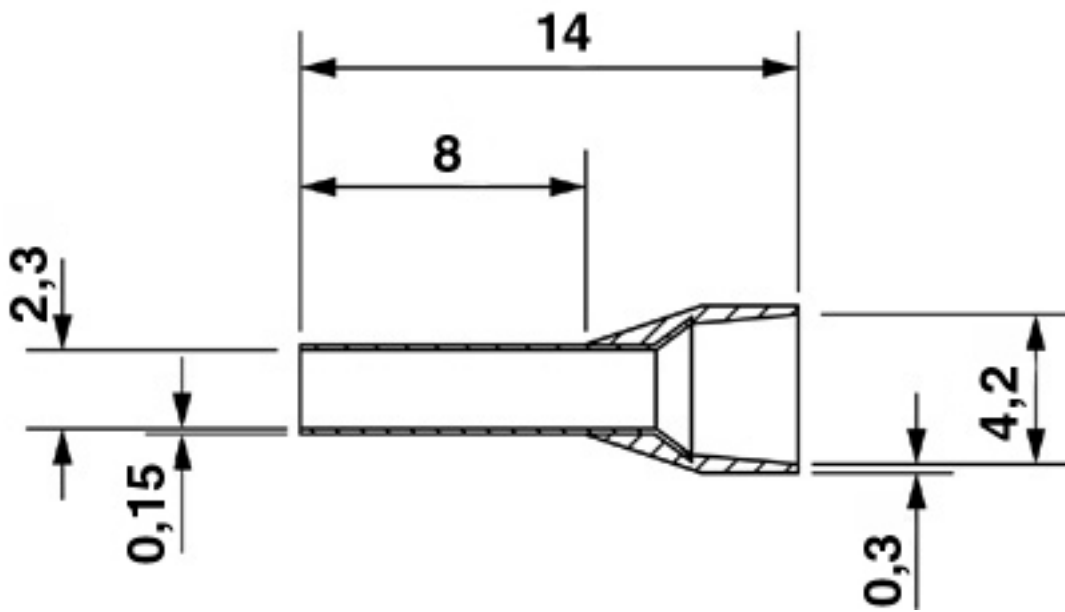
## Classifications

eCl@ss

eCl@ss 5.1	27400201
eCl@ss 6.0	27400201

## Drawings

Dimensioned drawing



单击下面可查看定价，库存，交付和生命周期等信息

[>>Phoenix Contact\(菲尼克斯\)](#)