

## Mounting brackets - MW 35/35 - 5040078

Please be informed that the data shown in this PDF Document is generated from our Online Catalog. Please find the complete data in the user's documentation. Our General Terms of Use for Downloads are valid (<http://phoenixcontact.com/download>)



Plastic mounting bracket, with NS 35/7.5 DIN rail, to snap onto modular terminal blocks with a universal foot, profile length: 35 mm



### Key commercial data

Packing unit	1 pc
Minimum order quantity	10 pc
Weight per Piece (excluding packing)	9.38 GRM
Custom tariff number	85369010
Country of origin	Germany

### Technical data

#### Dimensions

Height	46.5 mm
Length	35 mm
Width	45 mm

### Classifications

#### eCl@ss

eCl@ss 4.0	27141199
eCl@ss 4.1	27141199
eCl@ss 5.0	27141145
eCl@ss 5.1	27141145
eCl@ss 6.0	27141120
eCl@ss 7.0	27141120
eCl@ss 8.0	27149149

## Mounting brackets - MW 35/35 - 5040078

### Classifications

#### ETIM

ETIM 2.0	EC000897
ETIM 3.0	EC000897
ETIM 4.0	EC002625
ETIM 5.0	EC002498

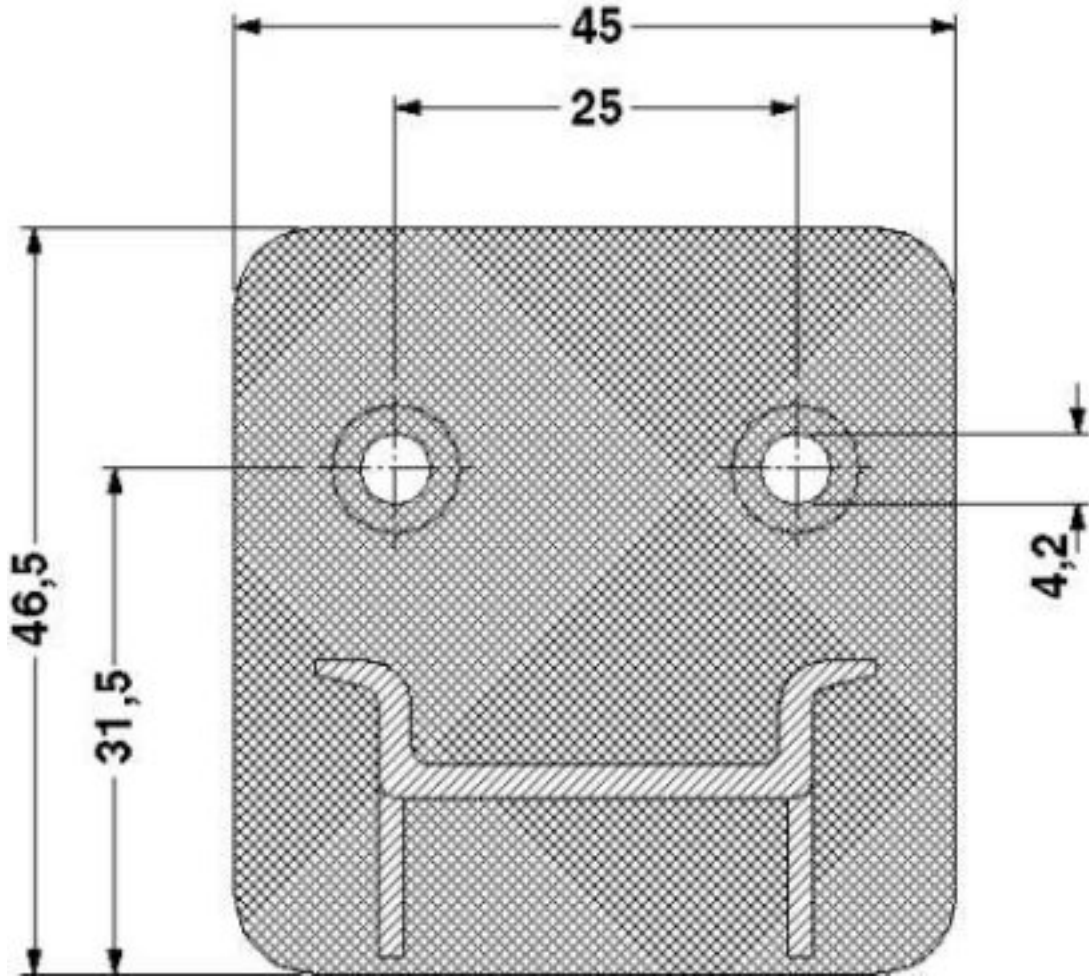
#### UNSPSC

UNSPSC 6.01	30211811
UNSPSC 7.0901	39121410
UNSPSC 11	39121410
UNSPSC 12.01	39121410
UNSPSC 13.2	39121410

### Drawings

## Mounting brackets - MW 35/35 - 5040078

Dimensioned drawing



单击下面可查看定价，库存，交付和生命周期等信息

[>>Phoenix Contact\(菲尼克斯\)](#)