

## End cover - PSD-S AS END COVER - 2700148

Please be informed that the data shown in this PDF Document is generated from our Online Catalog. Please find the complete data in the user's documentation. Our General Terms of Use for Downloads are valid (<http://phoenixcontact.com/download>)

Black end cover (replacement part)



### Key commercial data

Packing unit	1 pc
Weight per Piece (excluding packing)	14.0 GRM
Custom tariff number	85319085
Country of origin	Germany

### Technical data

#### Dimensions

Diameter	70 mm
Height	16 mm

#### Ambient conditions

Ambient temperature (operation)	-20 °C ... 50 °C
---------------------------------	------------------

#### General

Material	Polycarbonate PC
Color	black
Weight	14 g
Mounting position	any

### Classifications

#### eCl@ss

eCl@ss 4.0	27371281
eCl@ss 4.1	27371281

# End cover - PSD-S AS END COVER - 2700148

## Classifications

### eCl@ss

eCl@ss 5.0	27371281
eCl@ss 5.1	27371281
eCl@ss 6.0	27189263
eCl@ss 7.0	27189263
eCl@ss 8.0	27189263

### ETIM

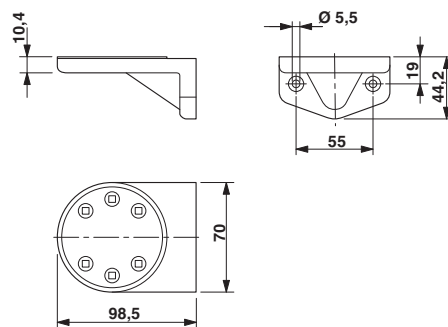
ETIM 3.0	EC001284
ETIM 4.0	EC000886
ETIM 5.0	EC000886

### UNSPSC

UNSPSC 6.01	43172015
UNSPSC 7.0901	43201404
UNSPSC 11	39121311
UNSPSC 12.01	39121311
UNSPSC 13.2	39121311

## Drawings

Dimensioned drawing



单击下面可查看定价，库存，交付和生命周期等信息

[>>Phoenix Contact\(菲尼克斯\)](#)