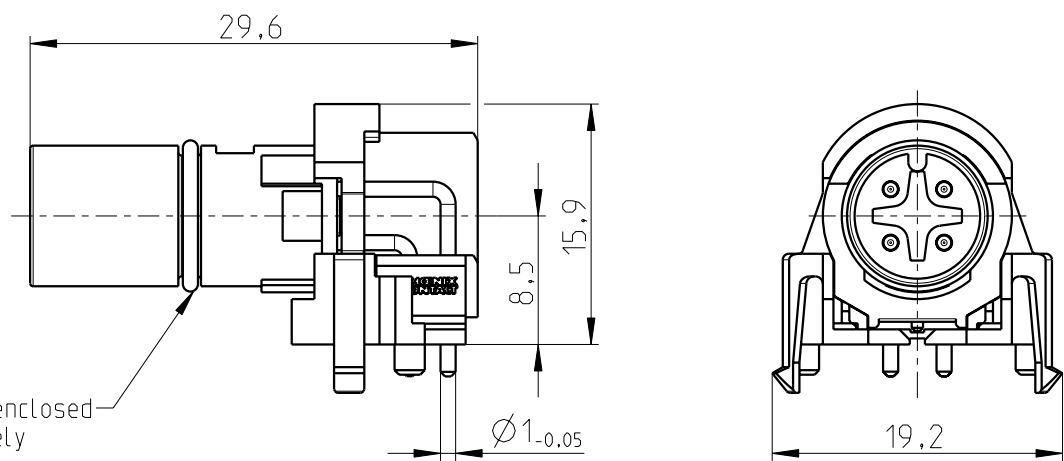


The copying, distribution and utilization of this document as well as the communication of the contents to others without expressed authorization is prohibited according to §18 UWG German Law. Offenders will be held liable for the payment of damages according to §19 UWG German Law. All rights reserved, in particular the right to carry out patent, utility model or ornamental design registrations.

| Mechanical data<br>(according to IEC 61076-2-101) |                      | Material               |                      |
|---|----------------------|------------------------|----------------------|
| no. of poles / coding                             | 4 / A                | contacts / surface     | CuZn with gold layer |
| contact termination                               | dip solder           | contact carrier colour | PA6T/66 black        |
| contact- $\varnothing$                            | 4x $\varnothing$ 1mm | sealing gasket         | FKM                  |
| temperature range                                 | -40 °C to +85 °C     |                        |                      |
| protection class                                  | IP67                 |                        |                      |
| mating cycles                                     | >100                 |                        |                      |

further information:  
- see technical data M12-3

While mounting the insulating body with o-ring into the housing, the axial mounting force on each connector shouldn't be higher than 80N. Avoid radial forces!

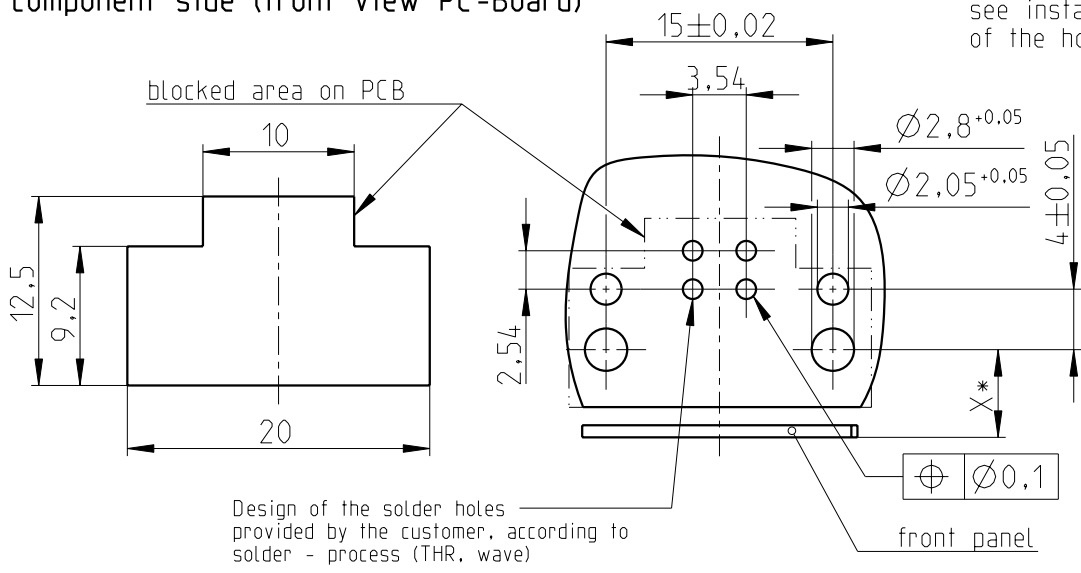


All specified data refers to the mounted M12 installation plugs  $\geq$  IP54 and requires that the connector pair be correctly plugged and locked. Influences from wires, cables or PCB mounting are also to be taken into consideration.

Weitergabe sowie Vervielfältigung dieses Dokuments, Verwertung und Mitteilung seines Inhalts gem §18 UWG verboten. soweit nicht ausdrücklich gestattet. Zuwiderhandlungen verpflichten zu Schadensersatz (§19 UWG). Alle Rechte vorbehalten, insbesondere das Recht, Patent-, Gebrauchsmuster- oder Geschmacksmusteranmeldungen durchzuführen. CONINVERS GmbH Heisenbergstrasse 1 D-71083 Herrenberg

### drilling plan component side (front view PC-Board)

\* measure X depends on the installed housing, see installation recommendation of the housing series M12 DSIV



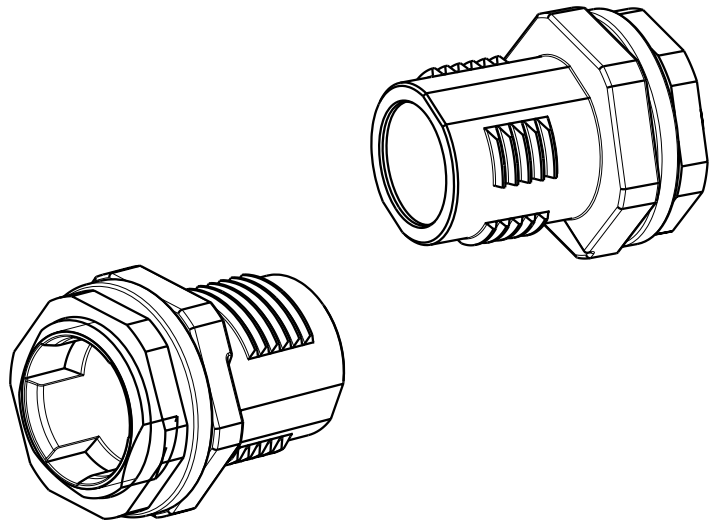
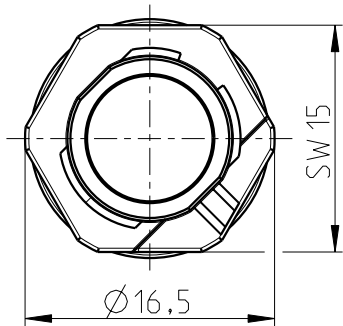
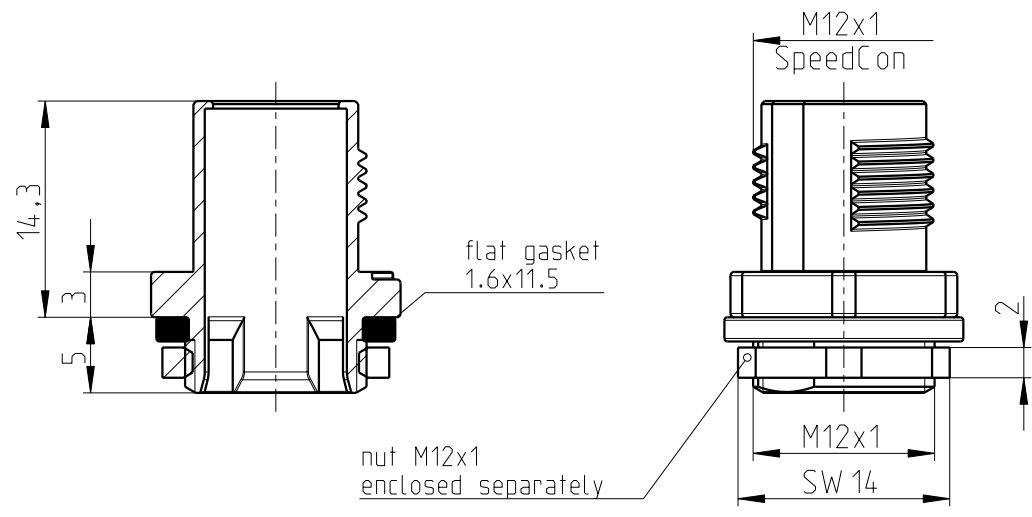
|  |            |                            |                           |  |           |            |  |
|--|------------|----------------------------|---------------------------|--|-----------|------------|--|
| general tolerance acc. to DIN ISO 2768-c |            | technical changes reserved |                           | Index 1 / 2012-07-06   |           | scale: 2:1 |  |
| design                                   | 2012-07-06 | Scheerer                   |                           | Series DSIV<br>M12-installation plug angled<br>4-pole pin/A-cod./SCO/flat gasket |           |            |  |
| chk.                                     |            |                            |                           |  |           |            |  |
|  |            | drawing-no.:               | BS-04P2NE2M500            |  | doc.-no.: | 00671353   |  |
|  |            | order-no.:                 | 1436589                   |  |           |            |  |
|  |            | article designation:       | SACC-DSIV-MS-4CON-L90 SCO |  |           |            |  |

The copying, distribution and utilization of this document as well as the communication of the contents to others without expressed authorization is prohibited according to §18 UWG German Law. Offenders will be held liable for the payment of damages according to §19 UWG German Law. All rights reserved, in particular the right to carry out patent, utility model or ornamental design registrations.

Weitergabe sowie Vervielfältigung dieses Dokuments, Verwertung und Mitteilung seines Inhalts gem §18 UWG verboten, soweit nicht ausdrücklich gestattet. Zuwiderhandlungen verpflichten zu Schadensersatz (§19 UWG). Alle Rechte vorbehalten, insbesondere das Recht, Patent-, Gebrauchsmuster- oder Geschmacksmusteranmeldungen durchzuführen. CONINVERS GmbH Heisenbergstrasse 1 D-71083 Herrenberg

| Mechanical data (according to IEC 61076-2-101) |                      |
|--|----------------------|
| Locking thread                                 | M12 SPEEDCON         |
| <b>Material</b>                                |                      |
| flange housing                                 | GD-Zn, nickel-plated |
| sealing gasket                                 | HNBR                 |
| nut  | brass, nickel-plated |
| temperature range                              | -40 °C to +85 °C     |

further information:  
 - see installation recommendation  
 SACC-M12-SCO PLUG IC



All specified data refers to the mounted M12 installation plugs ≥ IP54 and requires that the connector pair be correctly plugged and locked. Influences from wires, cables or PCB mounting are also to be taken into consideration.

|  |            |                            |                           |  |           |            |  |
|--|------------|----------------------------|---------------------------|--|-----------|------------|--|
| general tolerance acc. to DIN ISO 2768-c |            | technical changes reserved |                           | Index 1 / 2012-07-06   |           | scale: 2:1 |  |
| design                                   | date       | name                       |                           | Series DSIV<br>M12-installation plug angled<br>4-pole pin/A-cod./SCO/flat gasket |           |            |  |
| chk.                                     | 2012-07-06 | Scheerer                   |                           |  |           |            |  |
|  |            | drawing-no.:               | BS-04P2NE2M500            |  | doc.-no.: | 00671353   |  |
|  |            | order-no.:                 | 1436589                   |  |           |            |  |
|  |            | article designation:       | SACC-DSIV-MS-4CON-L90 SCO |  |           |            |  |

page: 2 of: 2

单击下面可查看定价，库存，交付和生命周期等信息

[>>Phoenix Contact\(菲尼克斯\)](#)