

RTU READY...181610 control cabinets

Prewired 18 x 16 x 10-inch control cabinet for use with remote control and monitoring devices



Data sheet
4020_en_A

© PHOENIX CONTACT 2019-04-02

DNR 01205343-00

1 Description

The prewired 18 x 16 x 10-inch control cabinet provides a 24 V DC power supply and surge protective device for line power and antenna connections, and terminal blocks for easy connectivity. All components are mounted on standard NS 35 mounting rail.

2 Features

- Prewired cabinetry with extra terminal blocks for simple, flexible installation
- 18 x 16 x 10-inch polycarbonate cabinet
- 24 V DC power supply/UPS and external 24 V backup battery optional
- Input supply 100 to 240 V AC
- COAXTRAB surge antenna connection protection
- 334 mm (13.15 in.) of DIN rail mounting space



This document is valid for all products listed in the [“Ordering data” on page 2](#)

3 Ordering data

Products

Description	Type	Order No.	Pcs./Pkt.
Control cabinet, for RTUs. Contains circuit breaker, surge protective device, and power supply.	RTU READY 181610	1094595	1
Control cabinet, for RTUs. Contains circuit breaker, surge protective device, power supply, and battery.	RTU READY UPS 181610	1068258	1
Control cabinet, for RTUs. Contains circuit breaker, surge protective device, power supply, and battery.	RTU READY EX UPS 181610	1100666	1

Accessories

Description	Type	Order No.	Pcs./Pkt.
Power supply, included with 1094594 and 1094596	UNO-PS/1AC/24DC/90W/C2LPS	2902994	1
Power supply, included with 1100665	MINI-DC-UPS/24DC/2	2866640	1
Battery, included with 1094596	UNO-UPS/24DC/24DC/60W	2905907	1
Battery, included with 1100665	MINI-BAT/24DC/0.8AH	2866666	1

4 Technical data

Dimensions

Width	434 mm
Height	492 mm
Depth	271 mm
Available mounting space	334 mm

General data

Housing material	Polycarbonate
Input supply range	85 ... 264 V AC
Nominal output current	
1094595, 1068258	3.75 A
1100666	2.0 A
Ambient temperature, operating	
1094595, 1068258	-15°C ... 50°C
1100666	0°C ... 40°C

4.1 Dimensions

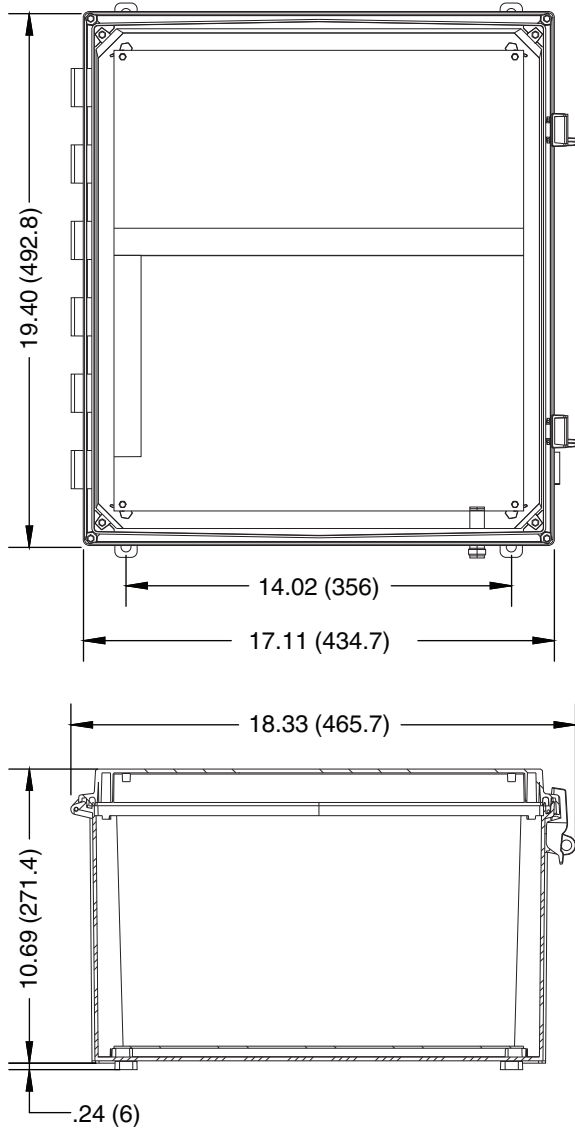


Figure 1 Overall and mounting dimensions

5 Structure

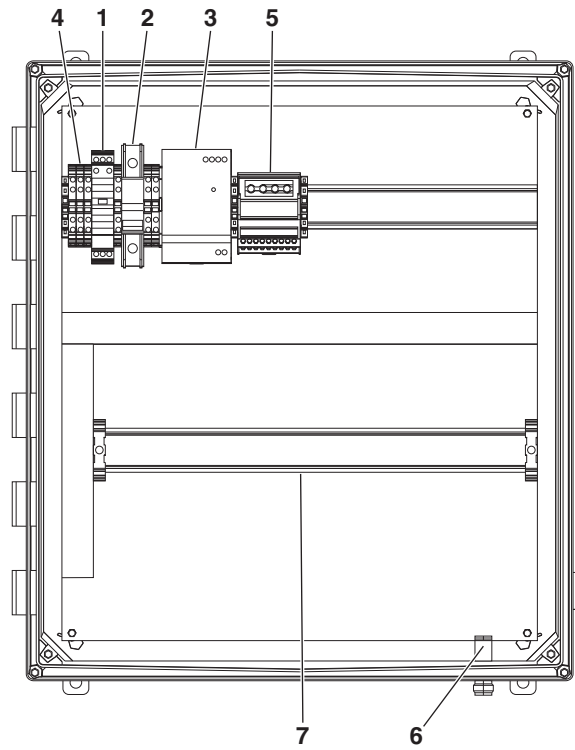


Figure 2 RTU READY 181610 components

- 1 Surge protective device
- 2 Circuit breaker
- 3 Power supply
- 4 120 V AC supply connections
- 5 24 V DC power distribution terminal block
- 6 Antenna surge protective device
- 7 DIN rail for mounting of devices

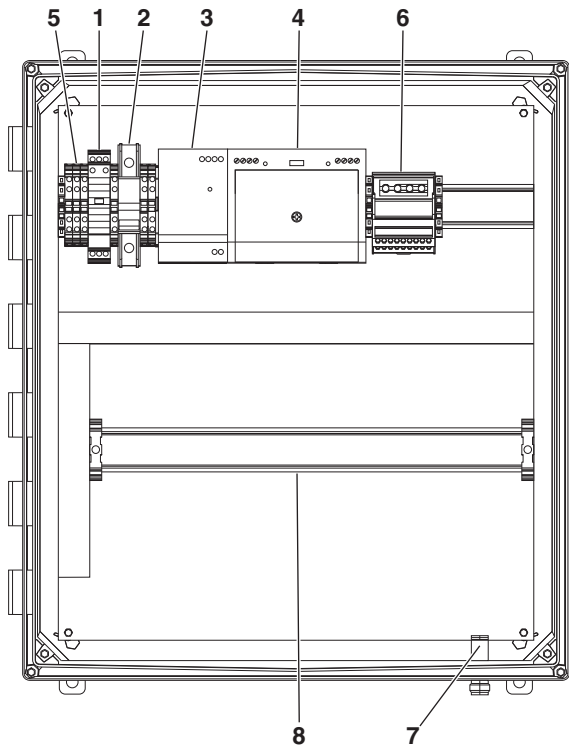


Figure 3 RTU READY UPS 181610 components

- 1 Surge protective device
- 2 Circuit breaker
- 3 Power supply
- 4 UPS battery
- 5 120 V AC supply connections
- 6 24 V DC power distribution terminal block
- 7 Antenna surge protective device
- 8 DIN rail for mounting of devices

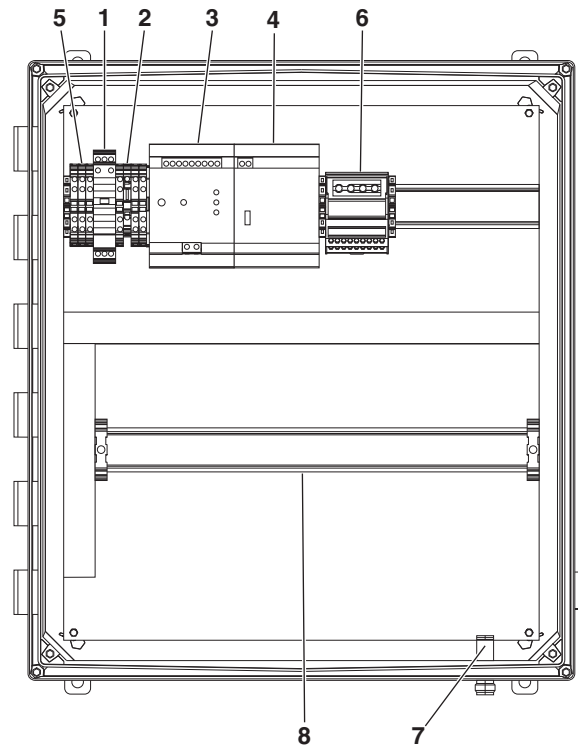


Figure 4 RTU READY EX UPS 181610 components

- 1 Surge protective device
- 2 Circuit breaker
- 3 Power supply
- 4 UPS battery
- 5 120 V AC supply connections
- 6 24 V DC power distribution terminal block
- 7 Antenna surge protective device
- 8 DIN rail for mounting of devices

6 Installation



NOTE:

The mounting surface must be flat and free of vibration.

1. Drill holes in the mounting surface according to [Figure 1 on page 3](#).
2. Secure the RTU READY...181610 enclosure using appropriate hardware for the mounting surface.
3. Install desired devices on the lower DIN rail.
4. Connect devices to the power distribution terminal block.
5. Connect 120 V AC line voltage.

单击下面可查看定价，库存，交付和生命周期等信息

[>>Phoenix Contact\(菲尼克斯\)](#)