

# D-SUB bus connector - SUBCON-PLUS-F2 - 2799490

Please be informed that the data shown in this PDF Document is generated from our Online Catalog. Please find the complete data in the user's documentation. Our General Terms of Use for Downloads are valid (<http://download.phoenixcontact.com>)



D-SUB connector, 9-pos. female connector, two cable entries < 35°, bus system: CAN, SUCONET K1, K2 (MOELLER), S-BUS (Saia), J-BUS (Merlin Gerin), pin assignment: 2, 3, 4, 5, 7, 9 to two screw connection terminal blocks

The illustration shows version SUBCON-PLUS M 2

## Why buy this product

- Separate terminal blocks for each cable
- Easy assembly thanks to knurled screws
- For universal use
- Assembly under field conditions
- High level of EMC
- Flexibility in terms of cable entry selection
- High transmission speed



**RS-485**



## Key commercial data

Packing unit	1
Minimum order quantity	1
Catalog page	Page 574 (IF-2011)
GTIN	 4 017918 156305
Custom tariff number	85366990
Country of origin	GERMANY

## Technical data

### General data

Nominal voltage $U_N$	50 V
Nominal current $I_N$	100 mA
Bus system	CAN, SUCONET K1, K2 (Moeller), S-BUS (Saia), J-BUS (Merlin Gerin)
Insertion/withdrawal cycles	> 200
Max. cable diameter	10 mm
Min. cable diameter	6 mm
SUBCON fixing screws	4-40 UNC

## D-SUB bus connector - SUBCON-PLUS-F2 - 2799490

### Technical data

#### General data

Tightening torque	0.4 Nm
Ambient temperature (operation)	-20 °C ... 75 °C
Altitude	5000 m (For restrictions see manufacturer's declaration)
Housing material	ABS, metal-plated
Pin assignment	2,3,4,5,7,9 on two terminal blocks
Width	16 mm
Height	44 mm
Length	60 mm

#### Connection data

Connection	D-SUB connection
Number of positions	9
Connection method	D-SUB socket
Tightening torque	0.4 Nm
Connection	PCB connection
Connection method	Screw connection
Conductor cross section stranded min.	0.14 mm <sup>2</sup>
Conductor cross section stranded max.	1 mm <sup>2</sup>
Conductor cross section solid min.	0.14 mm <sup>2</sup>
Conductor cross section solid max.	1.5 mm <sup>2</sup>
Min. AWG conductor cross section, stranded	26
Max. AWG conductor cross section, stranded	18
Conductor cross section AWG/kcmil min.	26
Conductor cross section AWG/kcmil max	16
Stripping length	5 mm
Tightening torque	0.4 Nm

### Classifications

#### ETIM

ETIM 2.0	EC001132
ETIM 3.0	EC001132
ETIM 4.0	EC001132
ETIM 5.0	EC001132

#### UNSPSC

UNSPSC 11	39121402
UNSPSC 12.01	39121402
UNSPSC 13.2	39121402
UNSPSC 6.01	30211802
UNSPSC 7.0901	39121402

# D-SUB bus connector - SUBCON-PLUS-F2 - 2799490

## Classifications

### eCl@ss

eCl@ss 4.0	27140816
eCl@ss 4.1	27140816
eCl@ss 5.0	27143424
eCl@ss 5.1	27143424
eCl@ss 6.0	27143424
eCl@ss 7.0	27440209

## Approvals

### Approvals

---

#### Approvals

UL Recognized / cUL Recognized / GOST / cULus Recognized

---

#### Ex Approvals

---

#### Approvals submitted

---

## Approval details

UL Recognized

cUL Recognized

GOST

cULus Recognized

## Accessories

### Accessories

### Assembly

## D-SUB bus connector - SUBCON-PLUS-F2 - 2799490

### Accessories

Screw - SUBCON-SHORT-SCREW - 2799694



Optional mounting screw, without knurl for narrow installation conditions, slotted head, length: 40 mm, UNC 4-40 thread

### Tools

Screwdriver - SZF 0-0,4X2,5 - 1204504



Actuation tool, for ST terminal blocks, also suitable for use as a bladed screwdriver, size: 0.4 x 2.5 x 75 mm, 2-component grip, with non-slip grip

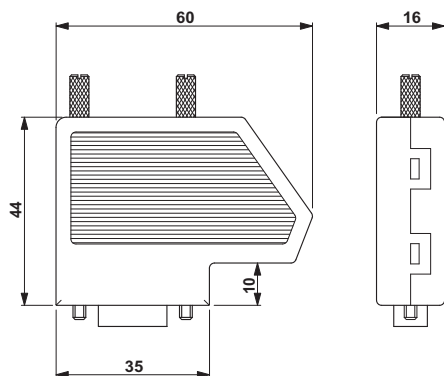
D-SUB gender changer - VS-09-GC-ST/ST - 1652651



D-SUB contact insert, shell size 1, with nine signal contacts, contact type pin, gender changer, fixing with 4-40 UNC thread

### Drawings

Dimensioned drawing



单击下面可查看定价，库存，交付和生命周期等信息

[>>Phoenix Contact \(菲尼克斯\)](#)