

Flush-type connector - SACC-E-M 8MS-6CON-M 8/0,5 - 1542664

Please be informed that the data shown in this PDF Document is generated from our Online Catalog. Please find the complete data in the user's documentation. Our General Terms of Use for Downloads are valid (<http://download.phoenixcontact.com>)



Sensor/actuator flush-type plug, 6-pos., M8, front/screw mounting with M8 fastening thread, with 0.5 m TPE litz wire, 6 x 0.14 mm²



Key commercial data

Packing unit	1
Minimum order quantity	1
Catalog page	Page 26 (PC-2011)
GTIN	 4 046356 097697
Custom tariff number	85444290
Country of origin	GERMANY

Technical data

General data

Rated current at 40°C	2 A
Rated voltage	30 V
Number of positions	6
Volume resistance	≤ 3 mΩ
Insulation resistance	≥ 100 MΩ
Length of cable	0.5 m
Ambient temperature (operation)	-25 °C ... 85 °C (Male connector / female connector)

General characteristics

Standards/regulations	M8 plug-in connector IEC 61076-2-104
Coding	A - standard
Surge voltage category	II
Pollution degree	3
Degree of protection	IP67
Contact material	Cu alloy
Contact surface material	Au
Contact carrier material	PUR / PA66
Material, knurls	Nickel-plated brass

Flush-type connector - SACC-E-M 8MS-6CON-M 8/0,5 - 1542664

Technical data

General characteristics

Sealing material	Viton
Mounting type	Front mounting M8 x 0.5
Connection method	Individual wires
Status display	No

Conductor data

Cable type	TPE litz wire
Conductor cross section	0.14 mm ²
AWG signal line	26
Conductor structure signal line	18x 0.10 mm
Core diameter including insulation	1.15 mm ±0.07 mm
Thickness, insulation	0.21 mm
Wire colors	Black, brown, blue, white, gray, pink
Material conductor insulation	TPE
Conductor material	Tin-plated Cu litz wires
Insulation resistance	≥ 20 MΩ*km
Conductor resistance	≥ 80 Ω/km
Nominal voltage, conductor	300 V
Test voltage, conductor	2000 V AC
Ambient temperature (operation)	-25 °C ... 85 °C (cable, fixed installation)

Classifications

eclass

eCl@ss 4.0	27250313
eCl@ss 4.1	27250313
eCl@ss 5.0	27143423
eCl@ss 5.1	27143423
eCl@ss 6.0	27143423
eCl@ss 7.0	27449001

etim

ETIM 3.0	EC002061
ETIM 4.0	EC002061

unspsc

UNSPSC 6.01	31251501
UNSPSC 7.0901	31251501
UNSPSC 11	31251501
UNSPSC 12.01	31251501
UNSPSC 13.2	31251501

Flush-type connector - SACC-E-M 8MS-6CON-M 8/0,5 - 1542664

Approvals

Approvals

Approvals

GOST

Ex Approvals

Approvals submitted

Approval details



Accessories

Accessories

Assembly

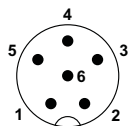
Flat nut - SACC-E-MU-M 8 - 1504071



Flat nut with M8 thread

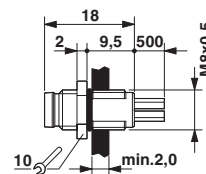
Drawings

Schematic diagram



Pin assignment M8 plug, 6-pos., view male side

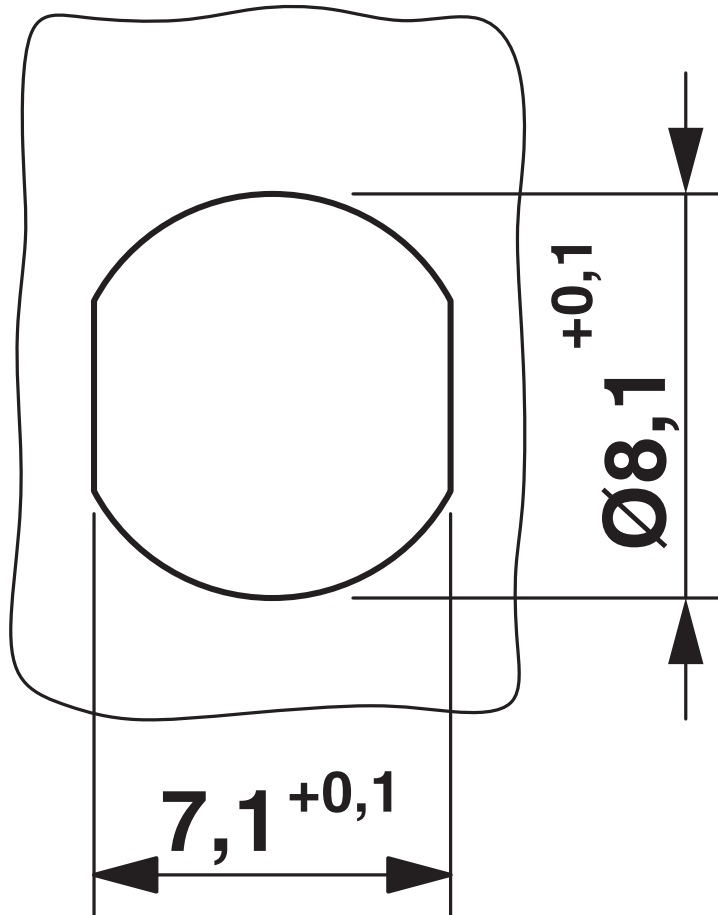
Dimensioned drawing



M8 flush-type connector

Flush-type connector - SACC-E-M 8MS-6CON-M 8/0,5 - 1542664

Dimensioned drawing



单击下面可查看定价，库存，交付和生命周期等信息

[>>Phoenix Contact \(菲尼克斯\)](#)